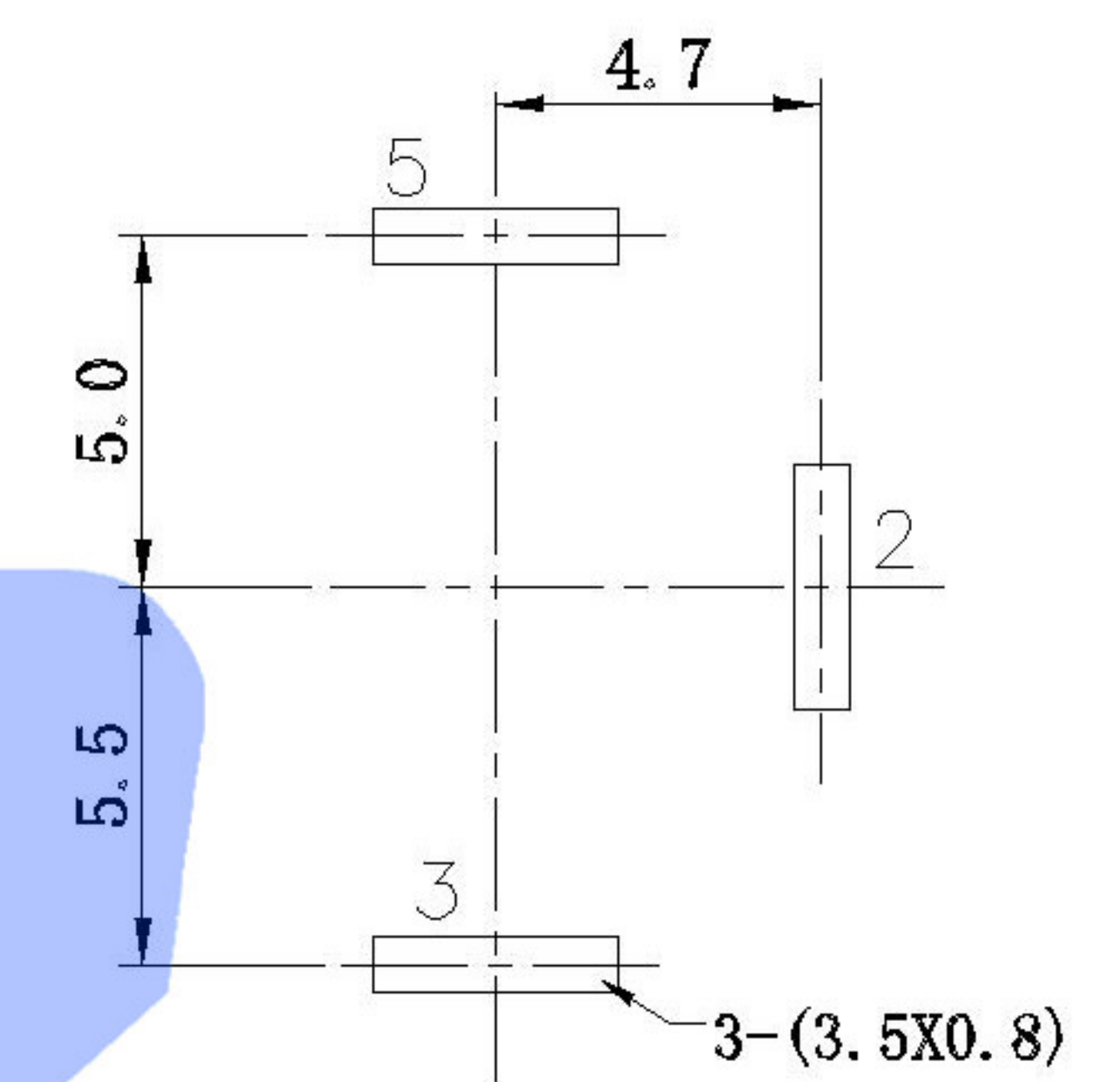


P.C.B LAYOUT
TOP VIEW



XKKB
SWITCH CONNECTOR

SCHEMATIC	
Model	DC-0130
Center Pin	Ø2.0 mm
	Ø2.5 mm

	MATERIAL	PLATING
center pin	Brass	tin
terminal 1	Brass	tin
terminal 2	Sus	tin
terminal 3	Brass	tin
plastic	Pbt	
Cover	Pf	

					ANGLAR	±5°	DSND		DATE		SCALE: N/A	MODEL TYPE: DC POWER JACK	
ΔX					X.X	±0.2mm	DWN		DATE		VIEW:	PART NO.:	
ΔX					X.XX	±0.1mm	CHKD		DATE		UNIT: mm	DWG NO.:	
ΔX					X.XXX	±0.05mm	APPD		DATE		SIZE: A4	DC-0130-2.5A-2.5	
MARK	DESCRIPTION	DATE	REVISED	APPROVED	UNSPECIFIED TOLERANCES		XKB INDUSTRIAL PRECISION CO.,LIMITED				WEIGHT	SHEET	REVISION
www.xk-dg.cn www.helloxkb.com www.helloxkb.cn											1.0g	1/1	A0