

Specifications :

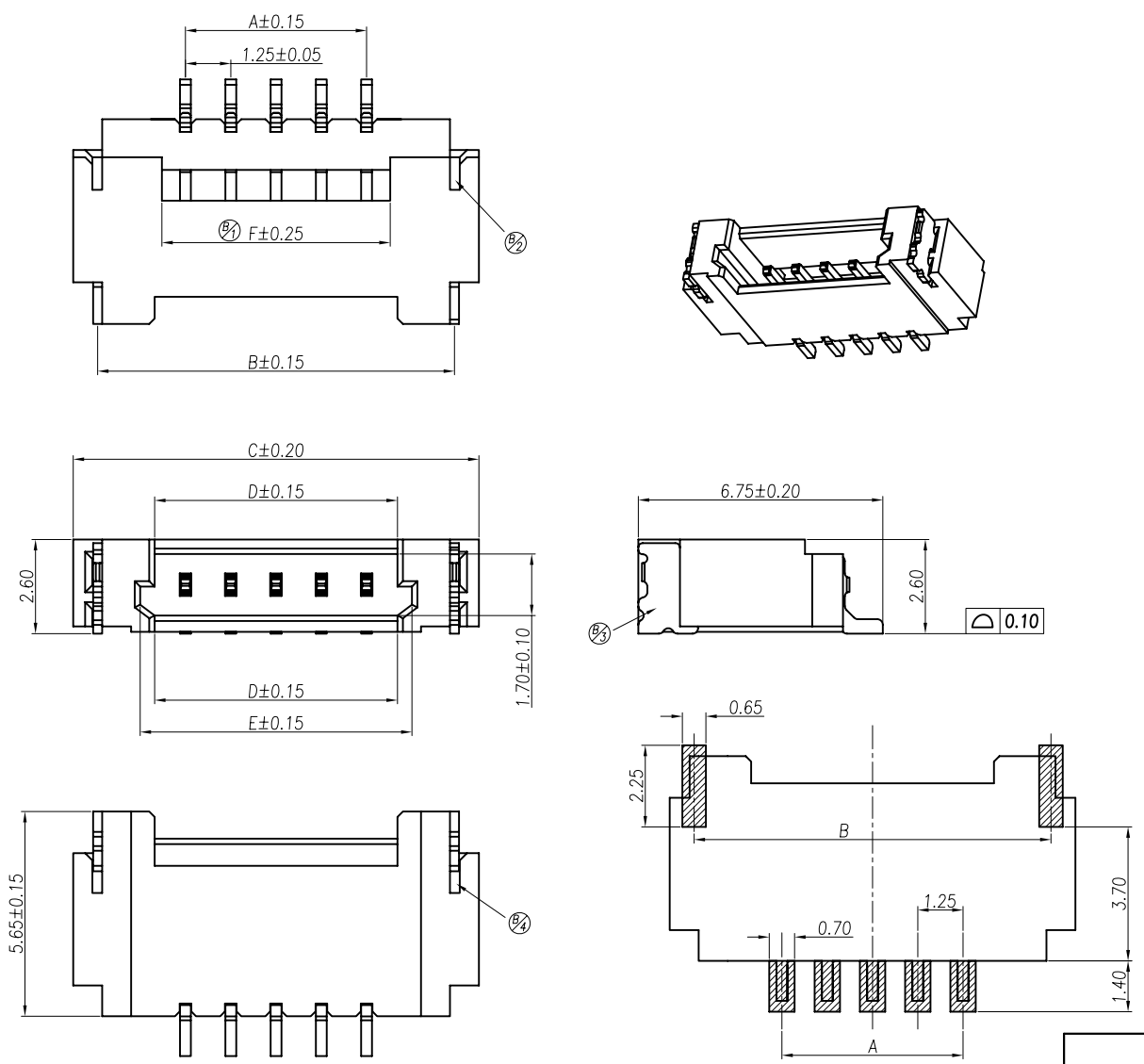
- Voltage rating: 200V AC / DC
- Current rating: 1A AC / DC
- Withstanding voltage: 500V AC/minute
- Temperature range: -25°C~+85°C
- Insulation resistance: ≥100MΩ
- Contact resistance: ≤40mΩ
- After environmental testing: ≤80mΩ

X9862 W R S-XX A-LP SN XX
 ① ② ③ ④ ⑤ ⑥ ⑦ ⑧ ⑨

- ① Series No.
- ② Category: W-wafer
- ③ Welding Board Angle: R- Right Angle 90°
- ④ Welding Way: S-SMT
- ⑤ Row No.-Pin No.: XX-02P~30P
- ⑥ Plug the Pin & Special No.: A-With Lock
- ⑦ Material: LP-LCP 94V-0
- ⑧ Planting Category: SN-Bright tin plating
- ⑨ Color: Blank-natural color

PIN 数	Dimensions (mm)					
	A	B	C	D	E	F
2	1.25	6.00	7.45	2.95	3.75	2.55
3	2.50	7.25	8.70	4.20	5.00	3.80
4	3.75	8.50	9.95	5.45	6.25	5.05
5	5.00	9.75	11.20	6.70	7.50	6.30
6	6.25	11.00	12.45	7.95	8.75	
7	7.50	12.25	13.70	9.20	10.00	
8	8.75	13.50	14.95	10.45	11.25	
9	10.00	14.75	16.20	11.70	12.50	
10	11.25	16.00	17.45	12.95	13.75	
11	12.50	17.25	18.70	14.20	15.00	
12	13.75	18.50	19.95	15.45	16.25	
13	15.00	19.75	21.20	16.70	17.50	
14	16.25	21.00	22.45	17.95	18.75	
15	17.50	22.25	23.70	19.20	20.00	
16	18.75	23.50	24.95	20.45	21.25	

X9862WRS-XXA-LPSN	LCP UL 94V-0	Brass	Tin Plating Matte	X1255H
PART NO	Material	Material(Pin And Solder Tabs)	Finish Pin	Suitable XKB Terminal



For and on behalf of
XKB INDUSTRIAL PRECISION CO., LIMITED
 香港星坤工業精密有限公司

MARK	DESCRIPTION	DATE	REVISED	APPROVED	UNSPECIFIED TOLERANCES
△ X					ANGULAR ±5°
△ X					L ≤ 4 ±0.2
△ X					4 < L ≤ 16 ±0.3
					16 < L ≤ 63 ±0.4
					L > 63 ±0.5

DSND	DATE	SCALE: N/A	MODEL TYPE: X9862WRS-XXA-LPSN
DWN	DATE	VIEW:	PART NO.:
CHKD	DATE	UNIT: mm	1.25mm Crimp Style Connectors
APPD	DATE	SIZE: A4	DWG NO.:
XKB INDUSTRIAL PRECISION CO., LIMITED			WEIGHT 1.0g
			SHEET 1/1
			REVISION A0