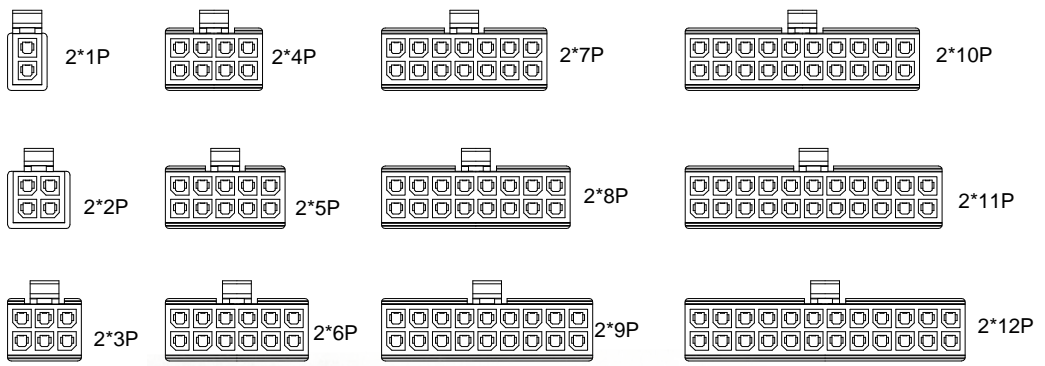
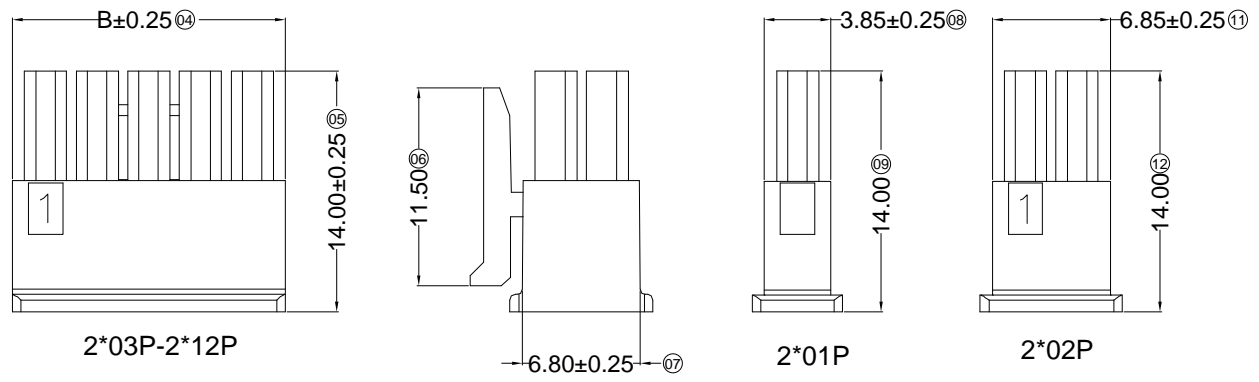


- Specifications :**
- Voltage rating: 250V AC / DC
 - Current rating: 5A AC / DC
 - Withstanding voltage: 1000V AC/minute
 - Temperature range: -25°C~+85°C
 - Insulation resistance: ≥1000MΩ
 - Contact resistance: ≤10mΩ
 - After environmental testing: ≤20mΩ

X3025 H M-2*XX XX-N2 XX
 ① ② ③ ④ ⑤ ⑥ ⑦

- ① Series No.
- ② Category: H-HSG
- ③ Welding Board Angle: M-Male HSG
- ④ Row No.-Pin No.: 2*XX-2*01P~2*12P
- ⑤ Plug the Pin & special No.:
- ⑥ Material: N2-PA66 94V-2;
- ⑦ Color: Blank-Natural Color



Poles	Dimensions(mm)		Poles	Dimensions(mm)	
	A	B		A	B
2*01	3.00	9.85	2*07	18.00	21.85
2*02	3.00	9.85	2*08	21.00	24.85
2*03	6.00	9.85	2*09	24.00	27.85
2*04	9.00	12.85	2*10	27.00	30.85
2*05	12.00	15.85	2*11	30.00	33.85
2*06	15.00	18.85	2*12	33.00	36.85

X3025HM-2*XX-N2	Nylon 66 94V-2	X3025TF	X3025W
PART NO	Material	Suitable SWB Terminal	Mates With XKB Wafer

For and on behalf of
XKB INDUSTRIAL PRECISION CO., LIMITED
 香港星坤工業精密有限公司

△ X	DESCRIPTION	DATE	REVISED	APPROVED	UNSPECIFIED TOLERANCES
△ X					
△ X					
MARK					

DSND	DATE	SCALE: N/A	MODEL TYPE: X3025HM-2*XX-N2
DWN	DATE	VIEW:	PART NO.:
CHKD	DATE	UNIT: mm	3.00 mm Crimp Style Connectors
APPD	DATE	SIZE: A4	DWG NO.:
			WEIGHT 1.0g
			SHEET 1/1
			REVISION A0

Authorized Signature(s)

XKB INDUSTRIAL PRECISION CO., LIMITED