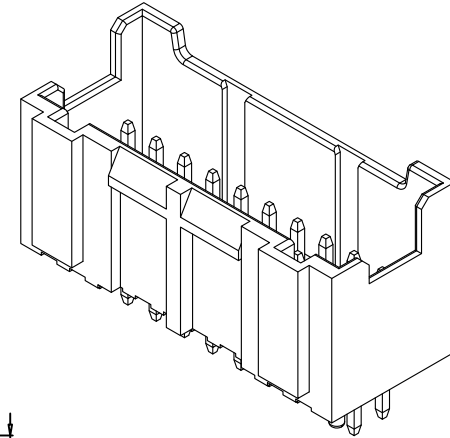


PCB LAYOUT



■ Specifications :

- Voltage rating: 250V AC / DC
- Current rating: 3A AC / DC
- Withstanding voltage: 800V AC/minute
- Temperature range: -25°C~+85°C
- Insulation resistance: ≥1000MΩ
- Contact resistance: ≤10mΩ
- After environmental testing: ≤20mΩ

X2015 W V X-2\*XX-N0 XX X  
① ② ③ ④ ⑤ ⑥ ⑦ ⑧

- ① Series No.
- ② Category: W-WAFER
- ③ Welding Board Angle: V-Straight 180°
- ④ Welding Way: Blank-DIP
- ⑤ Row No.-Pin No.: 2\*XX-2\*02P-2\*20P
- ⑥ Material: N0-PA66 94V-0
- ⑦ Plating Category: SN-Bright Tin Plating;
- ⑧ Color : Blank-Natural Color ; BK-Black;WH-White

Poles	Dimensions (mm)		Poles	Dimensions (mm)		Poles	Dimensions (mm)	
	A	B		A	B		A	B
2*02	2.00	6.00	2*09	16.00	20.00	2*16	30.00	34.00
2*03	4.00	8.00	2*10	18.00	22.00	2*17	32.00	36.00
2*04	6.00	10.00	2*11	20.00	24.00	2*18	34.00	38.00
2*05	8.00	12.00	2*12	22.00	26.00	2*19	36.00	40.00
2*06	10.00	14.00	2*13	24.00	28.00	2*20	38.00	42.00
2*07	12.00	16.00	2*14	26.00	30.00			
2*08	14.00	18.00	2*15	28.00	32.00			

X2015WV-2*XX-N0SN	PA66 UL 94V-0	Brass	Tin-Plated	X2015H
PART NO	Material	Material(Pin)	Finish(Pin)	Suitable XKB Terminal

For and on behalf of  
**XKB INDUSTRIAL PRECISION CO., LIMITED**  
 香港星坤工業精密有限公司

△ X					ANGULAR	±5°
△ X					L ≤ 4	±0.2
△ X					4 < L ≤ 16	±0.3
△ X					16 < L ≤ 63	±0.4
MARK	DESCRIPTION	DATE	REVISED	APPROVED	L > 63	±0.5
					UNSPECIFIED TOLERANCES	

DSND		DATE		SCALE: N/A	MODEL TYPE: X2015WV-2*XX-N0SN	
DWN		DATE		VIEW:	PART NO.:	
CHKD		DATE		UNIT: mm	2.00 mm Crimp Style Connectors	
APPD		DATE		SIZE: A4	DWG NO.:	
				WEIGHT	SHEET	REVISION
				1.0g	1/1	A0

**XKB INDUSTRIAL PRECISION CO., LIMITED**