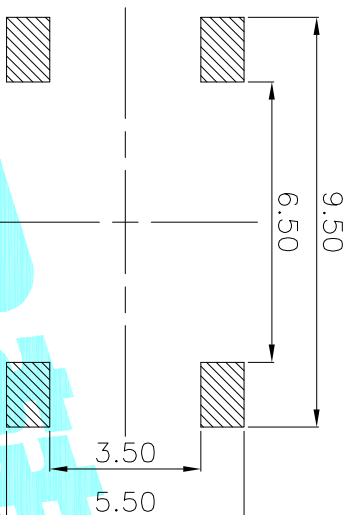
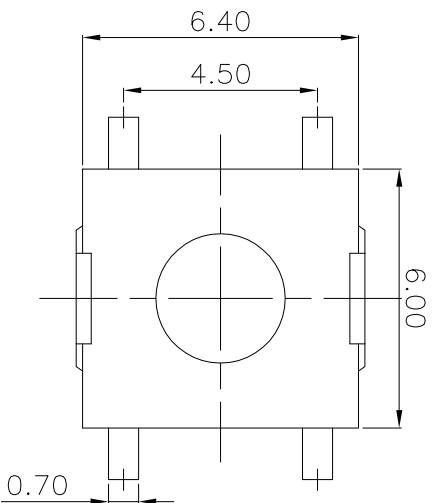




Circuit Diagram

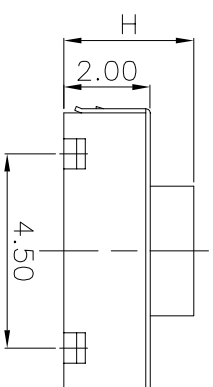
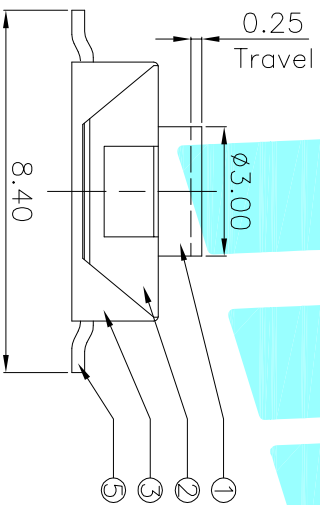


NO.1	
PART NO.	H
B	2.5
C	3.1
D	3.4
E	5.5
F	3.7

NO.3	
PART NO.	MATERIAL/QTY
S	SUS/1PC
C	C5210/1PC
D	SUS/2PCS
F	C5210/2PCS

NO.2	
PART NO.	vigor
1	90±30
2	130±30
3	180±30
4	250±30
5	350±50

NO.4-NO.5	
PART NO.	NOTE
01~99	SERIAL NUMBER



ITEM	PART NAME	TER'NO.	QTY.	MATERIAL	FINISHING	REMARK
⑤	Terminal	—	4	Copper(0.3t)	Plating silver	—
④	Contact	—	1	F.Ag/C5210	Natural	—
③	Base	—	1	Nylon	Black	—
②	Cover	—	1	Brass(0.15t)	Plating Nickel	—
①	Keystroke	—	1	Nylon	Red	—

APPROVALS		DATE	TITLE:
DRAWN	J.X.Zhong	2013/7/17	TACT SWITCHS

APPROVALS		TITLE:	
CHECKED		PART NO.	K2-1157SP-□□□□
APPROVALS		UNIT:	mm
TOLERANCES ARE		SCALE:	1:1
30~Ø上	+0.30	DRAWING NO.	
10~30	+0.20		
5~10	+0.15		
~5	+0.10		
		ANGLE	±2°

ECN NO.	REV.	DATE.	DESCRIPTION.
	A		NEW

CHANGE.	CHECK.	APPRO.

DESCRIPTION.
NEW

DESCRIPTION.
NEW

DESCRIPTION.
NEW

DESCRIPTION.
NEW

DESCRIPTION.
NEW

DESCRIPTION.
NEW

DESCRIPTION.
NEW

DESCRIPTION.
NEW



ELECTRONICS CO., LTD

TACT SWITCHS

K2-1157SP-□□□□

UNIT: mm

SCALE: 1:1

DRAWING NO.

PROJ. SHEET 1 OF 1