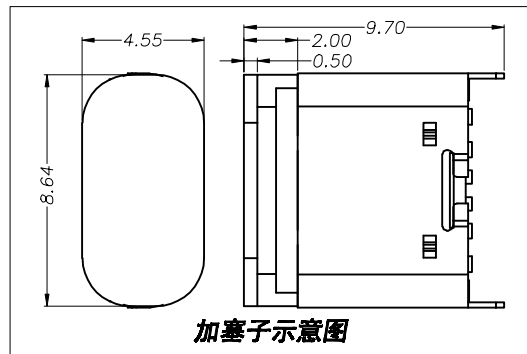
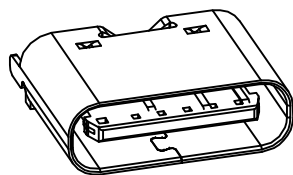
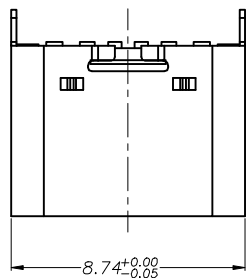


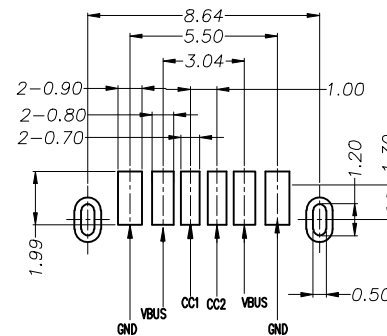
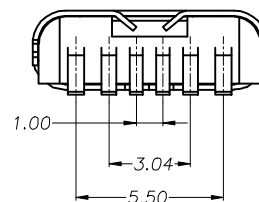
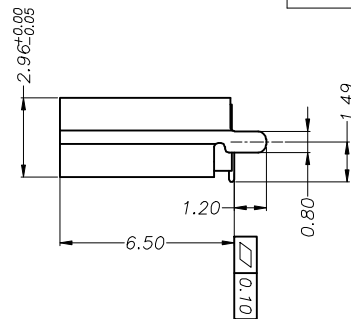
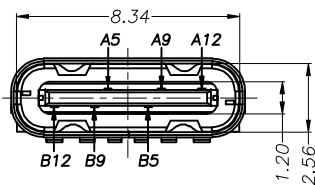
| | | |
|------|--------------|------|
| MAPX | MODIFICATION | DATE |
| | | |



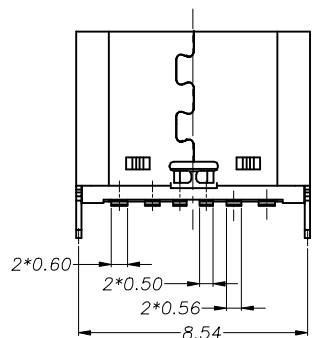
NOTES:

SPECIFICATION:

1. CURRENT RATING: 3.0A MAX
2. DIELECTRIC WITHSTANDING VOLTAGE: 100 VAC
3. TEMPERATURE RANGE: -30 °C ~ 85 °C
4. CONTACT RESISTANCE: 40 MILLIONHM MAX
5. INSULATION RESISTANCE: 100 MEGOHMS MIN.
6. INSERTION FORCE : 5N~20N
7. UNMATING FORCE: 8N~20N
8. DURABILITY: 10000 CYCLES



RECOMMENDED P.C.B. LAYOUT
TOLERANCE UNSPECIFIED ±0.05mm



| | | | |
|-----|-------------|-----|-------------|
| A5 | CC1 | B12 | GND |
| A9 | VBUS | B9 | VBUS |
| A12 | GND | B5 | CC2 |
| PIN | SIGNAL NAME | PIN | SIGNAL NAME |

| | | | | |
|-----|-----------------|--------------------------|-----------------------|------|
| 5 | COVER | HIGH TEMPERATURE PLASTIC | BLACK | 1PCS |
| 4 | SHIELDING PLATE | STAINLESS STEEL | NO Plated | 1PCS |
| 3 | SHELL | STAINLESS STEEL | Ni: 50u" Plated | 1PCS |
| 2 | CONTACT | COPPER ALLOY | Au1u"/Ni: 50u" Plated | 1SET |
| 1 | HOUSING | HIGH TEMPERATURE PLASTIC | BLACK | 1PCS |
| NO. | DESCRIPTION | MATERIAL | REMARKS | QTY |

产品图

PRODUCT CHART DWG

公差一览表

| | | | |
|----------------------------|-------|------|-------|
| TOLERANCE UNLESS OTHERWISE | | | |
| X. | ±0.30 | X. | ±5.° |
| .X | ±0.25 | .X | ±2.° |
| .XX | ±0.15 | .XX | ±1.° |
| .XXX | ±0.10 | .XXX | ±0.5° |

深圳市精拓金电子有限公司

| | | | | | |
|-------------|------------|---------------|------|--------------------------|--------------------------|
| 单位 UNITS | MM | 制图 DRAWING | YANG | 制图料号 PRODUCT PART NO. | |
| 比例 SCALE | 1:1 | 审核 CHKD | 郭志富 | 产品名称 PRODUCT NAME | TYPE C 6P母座180度SMT H=6.5 |
| 日期 DATE | 2019.11.23 | 核准 APPD | 黄国荣 | 角法 VIEW | 版本 VER |
| | | | | | AD |