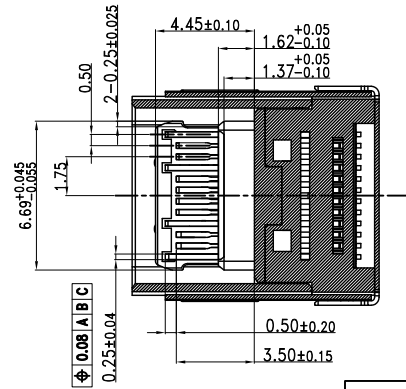
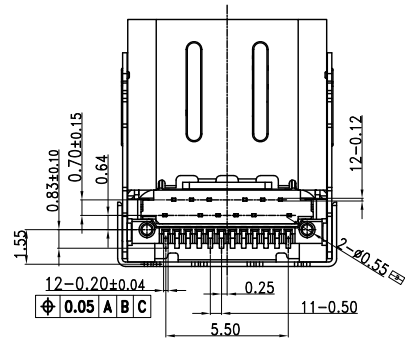
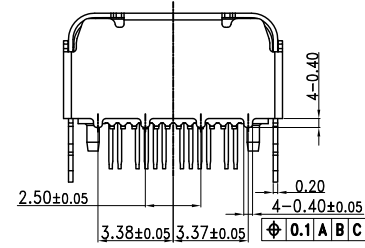
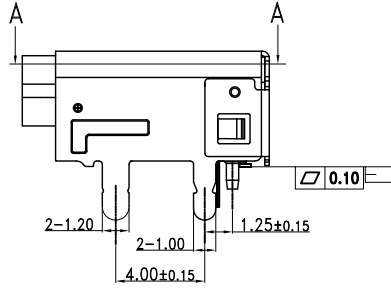
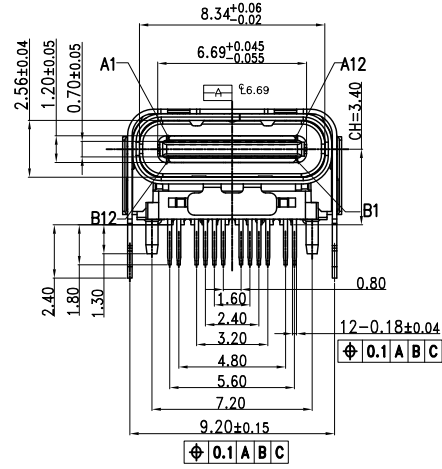
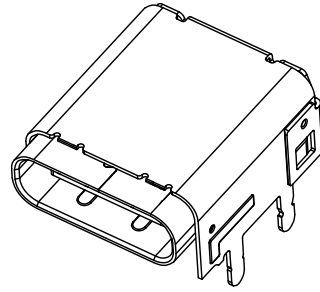
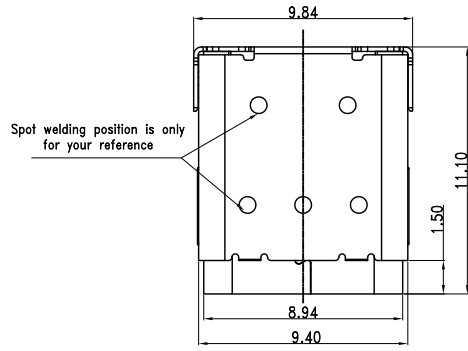


1 2 3 4 5 6 7 8 9 10

MAPX	MODIFICATION	DATE

A  
B  
C  
D  
E  
F  
G

A  
B  
C  
D  
E  
F  
G



SECTION A-A

ITEM	DESCRIPTION	Q'TY	MATERIAL	FINISH
6	OUTER-SHELL	1	STAINLESS STEEL	SOLDER NICKEL: 50U" MIN
5	INNER-SHELL	1	STAINLESS STEEL	SOLDER NICKEL: 50U" MIN
4	TOP TERMINAL	1	COPPER ALLOY	MATING AREA:AU 15u" SOLDER TAIL:MATTE TIN 50 MIN, 50u" NICKEL OVERALL.
3	BOTTOM TERMINAL	1	COPPER ALLOY	MATING AREA:AU 15u" SOLDER TAIL:MATTE TIN 50 MIN, 50u" NICKEL OVERALL.
2	MID PLATE	1	STAINLESS STEEL	SOLDER NICKEL: 50U" MIN
1	MAIN HOUSING	1	HIGH TEMPERATURE	BLACK

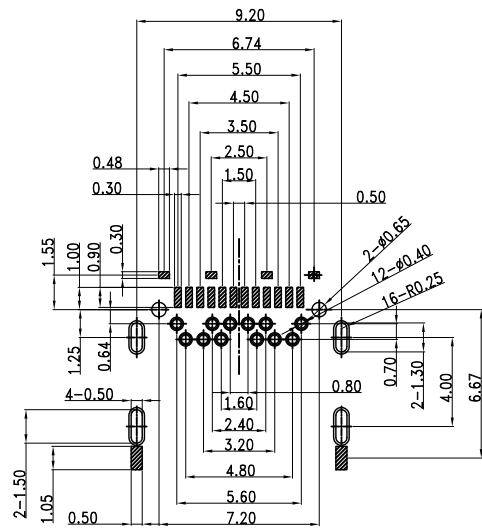
BILL OF MATERIAL

产品图 PRODUCT CHART DWG			
公差一览表 TOLERANCE UNLESS OTHERWISE			
X.	±0.30	X.	±5.°
.X	±0.25	.X	±2.°
.XX	±0.15	.XX	±1.°
.XXX	±0.10	.XXX	±0.5°

深圳市精拓金电子有限公司

单位 UNITS	MM	制图 DRAWING	YANG	制图料号 PRODUCT PART NO.
比例 SCALE	1:1	审核 CHKD	郭志富	产品名称 PRODUCT NO.
日期 DATE	2019.11.23	核准 APPD	黄国荣	角法 VIEW
USB TYPE C CONNECTOR CH3.40MM(前插后贴)			版本 VER	AO

1 2 3 4 5 6 7 8 9 10

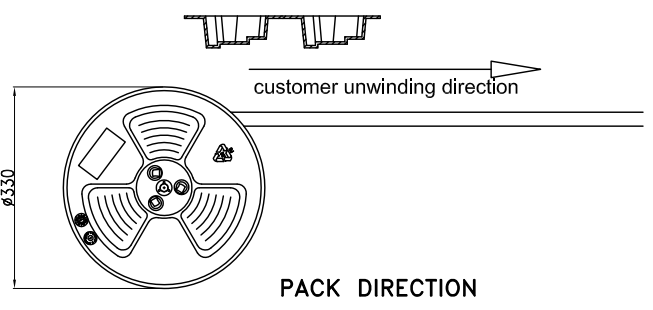
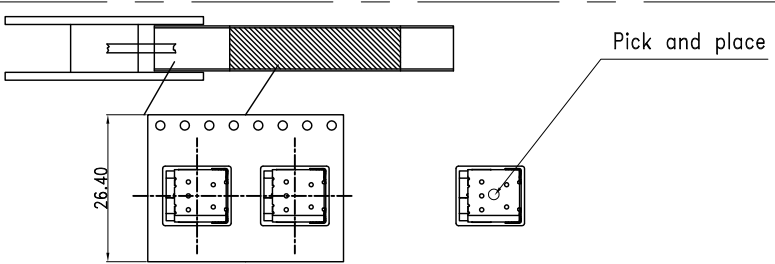


RECOMMENDED P.C.B LAYOUT(COMPONENT SIDE)  
PCB THICKNESS:2.0±0.05mm

MAPX	MODIFICATION	DATE
------	--------------	------

Pin No	Signal Name	Mating Sequence	Pin No	Signal Name	Mating Sequence
A1	GND	First	B12	GND	First
A2	TX1+	Second	B11	RX1+	Second
A3	TX1-	Second	B10	RX1-	Second
A4	Vbus	First	B9	Vbus	First
A5	CC1	Second	B8	SBU2	Second
A6	D+	Second	B7	D-	Second
A7	D-	Second	B6	D+	Second
A8	SBU1	Second	B5	CC2	Second
A9	Vbus	First	B4	Vbus	First
A10	RX2-	Second	B3	TX2-	Second
A11	RX2+	Second	B2	TX2+	Second
A12	GND	First	B1	GND	First
SHELL		GND	SHELL		GND

- NOTES:
- MATERIAL :SEE TABLE
  - COPLANARITY : 0.10 Max.
  - ELECTRICAL CHARACTERISTICS  
 LOW LEVEL CONTACT RESISTANCE: 40mΩ Max  
 INSULATION RESISTANCE:100MΩ MIN  
 DIELECTRIC WITHSTANDING VOLTAGE:100 VAC:  
 CONTACT CURRENT RATING:5A Max
  - MECHANICAL CHARACTERISTICS  
 INSERTION FORCE: 5~20N  
 EXTRACTION FORCE: 8~20N  
 AFTER DURABILITY EXTRACTION FORCE: 6~20N
  - DURABILITY: 10000 CYCLES
  - PACKAGING TYPE: CARRIER TAPE.
  - SALT SPRAY : 24 HOURS



产品图 PRODUCT CHART DWG		深圳市精拓金电子有限公司								
公差一览表 TOLERANCE UNLESS OTHERWISE		单位 UNITS	MM	制图 DRAWING	YANG	制图料号 PRODUCT PART NO.	产品名称 PRODUCT NO.			角法 VIEW
X.	±0.30	X.	±5.°	比例 SCALE	1:1	审核 CHKD	郭志富	USB TYPE C CONNECTOR CH3.40MM(前插后贴)		
.X	±0.25	.X	±2.°	日期 DATE	2019.11.23	核准 APPD	黄国荣	版本 VER	AO	
.XX	±0.15	.XX	±1.°							
.XXX	±0.10	.XXX	±0.5°							