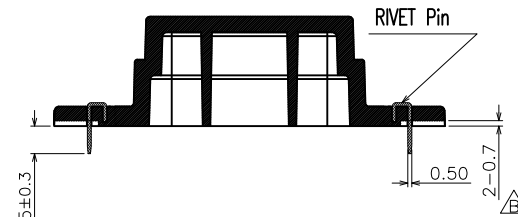
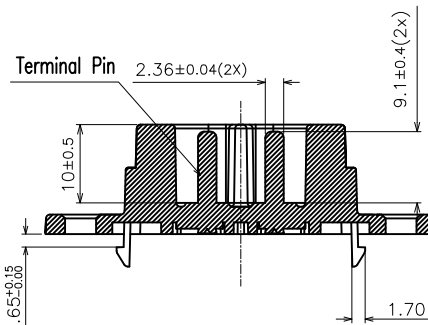
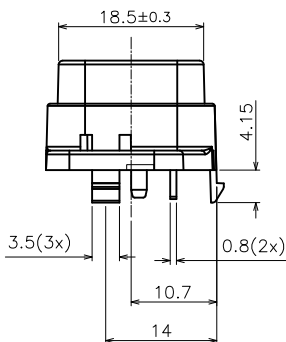
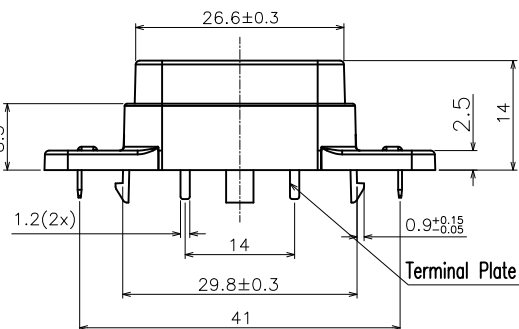
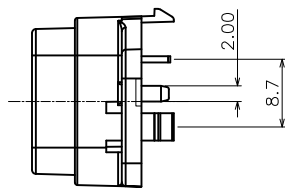
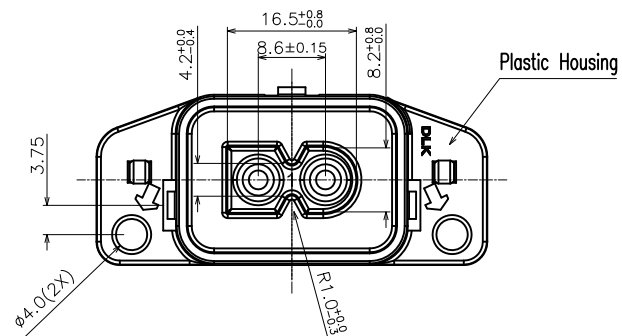


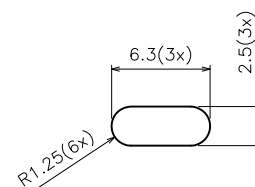
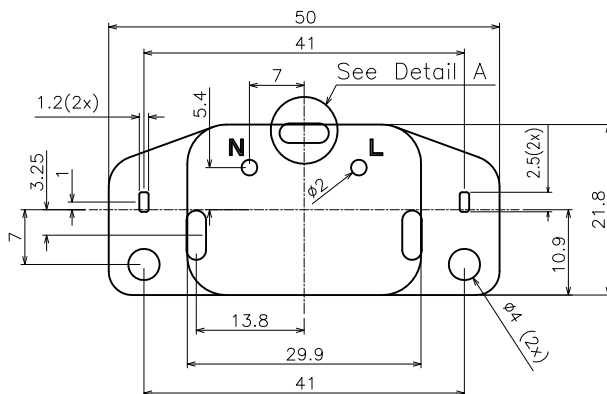
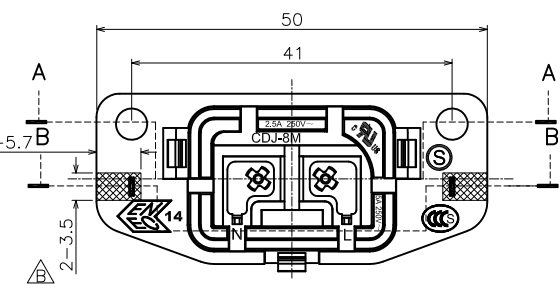
符合"DLK环境管理物质技术标准"

工程变更通知单 ECN(DCN) NO.	版本 REV	日期 DATE	说明 DESCRIPTION	改变 CHANGE	承认 APPRO.
—	A	2015.08.10	NEW	—	—
KSECN17075	B	20180104	依客户要求, U型端子处添加凹槽△*3	汪庆	王永辉



Section A-A

Section B-B



Detail A
Scale 2.0

SPECIFICATION:
 INSULATION RESISTANCE: 100MΩ MIN.
 CONTACT RESISTANCE : ≤30mΩ
 INSERTION FORCE : ≤60N
 EXTRACTION FORCE : 10~50N

产品净重:8.75g

PCB Layout (Top View)

GENERAL TOLERANCE
UNLESS OTHERWISE NOTED

Angle	±5°
X.	±0.30
.X	±0.25
.XX	±0.15
.XXX	±0.10
A4	



德力康电子科技有限公司



DELIKANG ELECTRONICS TECHNOLOGY CO.,LTD

NO.	ITEM	Q'TY	DESCRIPTION	FINISH
4	RIVET	2	SPCC	TIN
3	SOLDERING	2	BRASS	MIST TIN
2	CONTACT	2	BRASS	NI
1	HOUSING	1	PA66 UL 94V-0	BLACK

C	名称 TITLE:	CDJ-8M+RIVET	料号 PART NO.:	ACT1MD-02BL4B016
	档案名称 FILE NAME:	C-ACT1M-00-16	PART NO. (OLD)	CDJ-8M
DRAWING	刻三东	CHECKED	APPROVED	
UNIT:	mm	SCALE	1:1	SHEET: 1 of 1