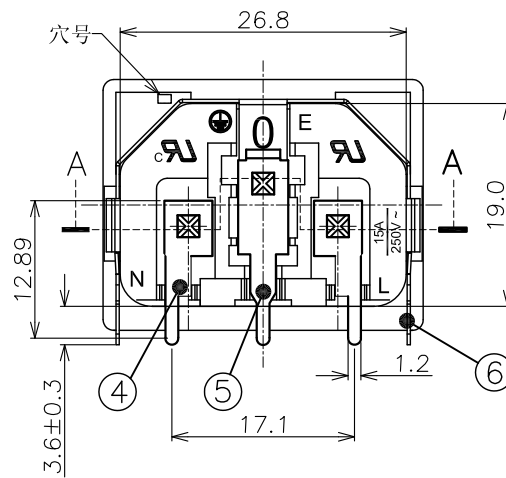
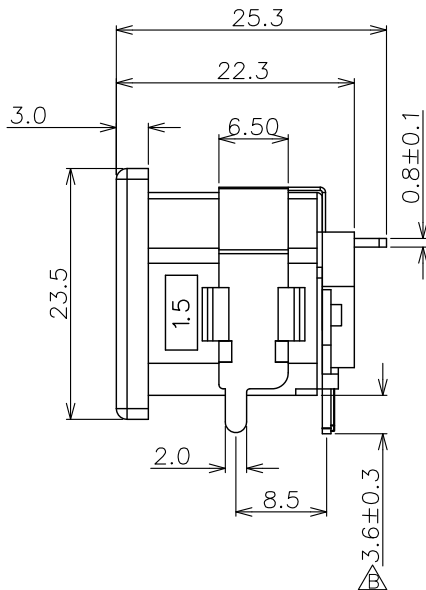
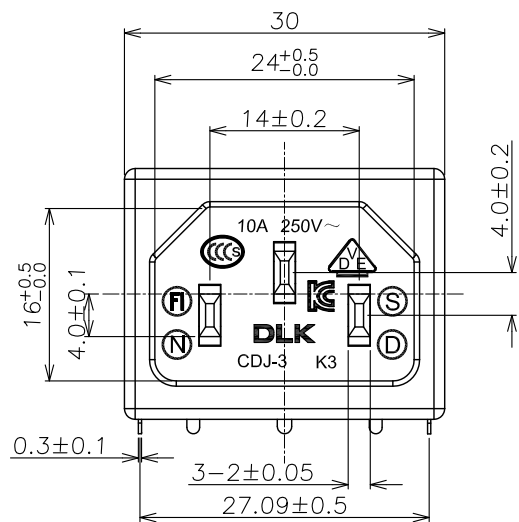


符合"DLK环境管理物质技术标准"

工程变更通知单 ECN(DCN) NO.	版本 REV	日期 DATE	说明 DESCRIPTION	改变 CHANGE	承认 APPRO.
	A	12/22/10'	NEW		
KSECN16074	B	20161031	修改叉脚长度由4.8改为3.6 Δ *1	陈浩泽	王永辉

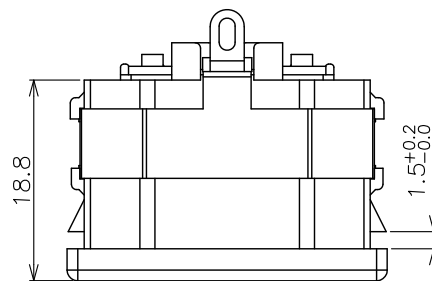
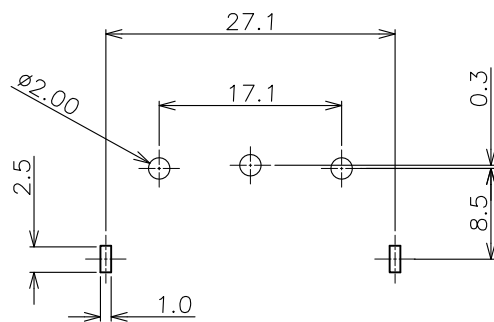
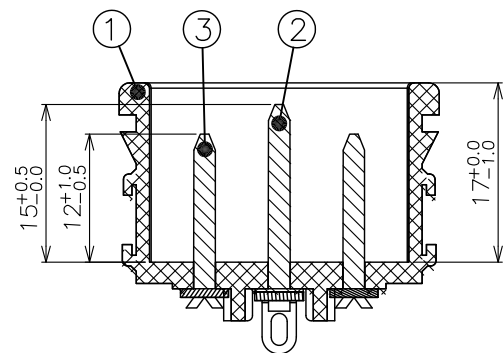


料号说明:

ACT3K D-03B T3 B 00 J

① ②③④ ⑤ ⑥

- ① PRODUCTION CODE (产品编码):
ACT3K: AC SOCKET SERIES
- ② CHARACTER (特征):
D: STRAIGHT ANGLE TYPE
- ③ POSITION (位数):
03: 3 PIN
- ④ COLOR OF HOUSING(本体颜色):
B: BLACK COLOR
- ⑤ PLATING OF CONTACT(端子电镀):
T3: Tin PLATD
- ⑥ PACKAGE(包装):
B : BOX PACKAGE



SPECIFICATION:
INSULATION RESISTANCE: 100MΩ MIN.
CONTACT RESISTANCE : ≤30mΩ
INSERTION FORCE : ≤60N
EXTRACTION FORCE : 10~50N

SECTION A-A

PCB LAYOUT

NO.	ITEM	Q'TY	DESCRIPTION	FINISH
6	GROUND Pin	1	SPTe	Tin
5	Soldering Pin	1	Brass	Tin
4	Soldering Pin	2	Brass	Tin
3	Contact Pin	2	Brass	NICKEL
2	Contact Pin	1	Brass	NICKEL
1	HOUSING	1	PA66	Black

GENERAL TOLERANCE
UNLESS OTHERWISE NOTED

Angle	±5°
X.	±0.38
.X	±0.30
.XX	±0.20
.XXX	±0.10



德力康电子科技有限公司



DELIKANG ELECTRONICS TECHNOLOGY CO.,LTD

C 名称	CDJ-3 K3			
档案名称	C-ACT3K-00-0J	料号	ACT3KD-03BT3B00J	
FILE NAME:		PART NO:		
DRAWING	刘三乐	CHECKED		APPROVED 严成旺
UNIT:	mm	SCALE	1:1	SHEET: 1 of 1