

■ Features

- Molding Inductor.
- Low Profile,Low Temp.
- Large Current(Over 15A).
- Customize For Different Need.
- Operating temperature:-40℃ ~ +125℃.

■ Applications

- General Electronic.
- Video Device,TV,TFT.
- Power Module for PC.
- NB/Lap Top Computer.
- Server,VGA Card/Module.

■ Product Identification

$\frac{\text{YSPI}}{(1)} \quad \frac{\square\square\square\square}{(2)} - \frac{\square\square\square}{(3)} \quad \frac{\square}{(4)}$

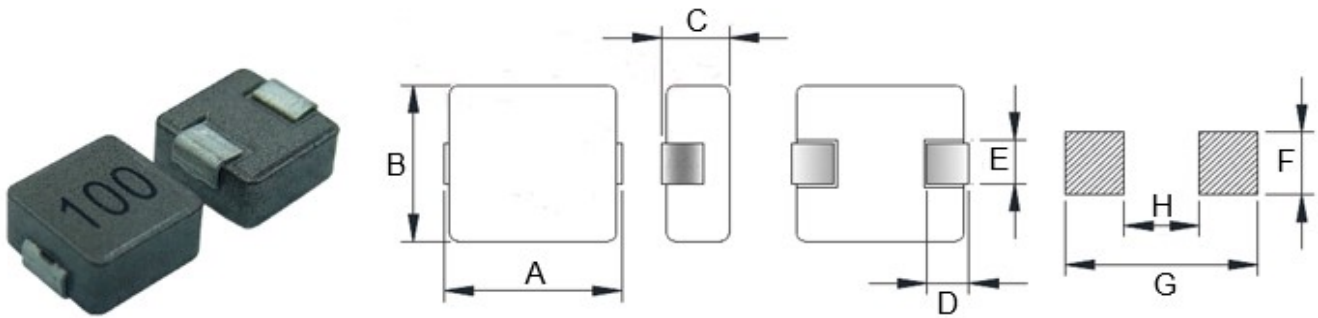
(1) : Type

(2) : Dimensions

(3) : Inductance value

(4) : Inductance Tolerance: N=±30%,M=±20%, K=±10%

■ Shapes and Dimensions (Unit: mm)



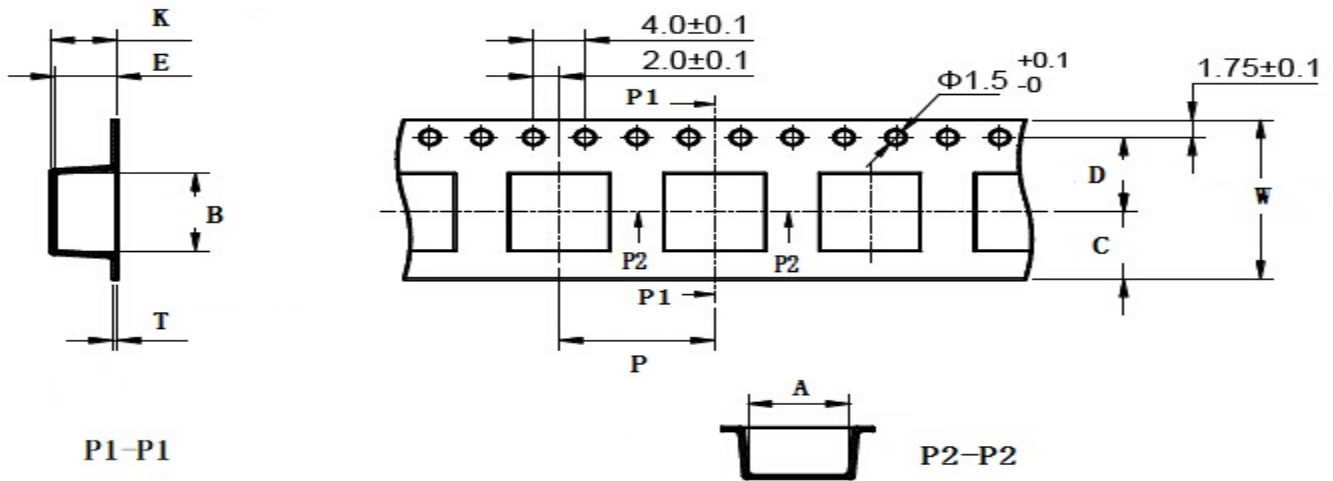
TYPE	A	B	C Max.	D	E Ref.	F Ref.	G Ref.	H Ref.
YSPI0520	5.4±0.5	5.2±0.5	2.0	1.0±0.3	2.0±0.5	2.5	7.0	3.0

■ YSPI0520 Series

Part Number	Inductance (uH) @100KHz	DC Resistance (mΩ)		Heat Rating Current (A)	Saturation Current (A)
		Typ.	Max.		
YSPI0520-R47□	0.47	8	10	10.5	14.0
YSPI0520-R68□	0.68	15	20	5.0	10.0
YSPI0520-1R0□	1.00	15	21	5.0	8.0
YSPI0520-1R2□	1.20	17	27	5.0	8.0
YSPI0520-1R5□	1.50	20	26	5.5	6.5
YSPI0520-2R2□	2.20	32	42	4.0	6.0
YSPI0520-3R3□	3.30	44	58	3.5	5.5
YSPI0520-4R7□	4.70	68	90	3.2	4.5
YSPI0520-5R6□	5.60	75	97	3.0	4.0
YSPI0520-6R8□	6.80	107	125	2.8	3.4
YSPI0520-100□	10.0	170	221	2.3	3.0

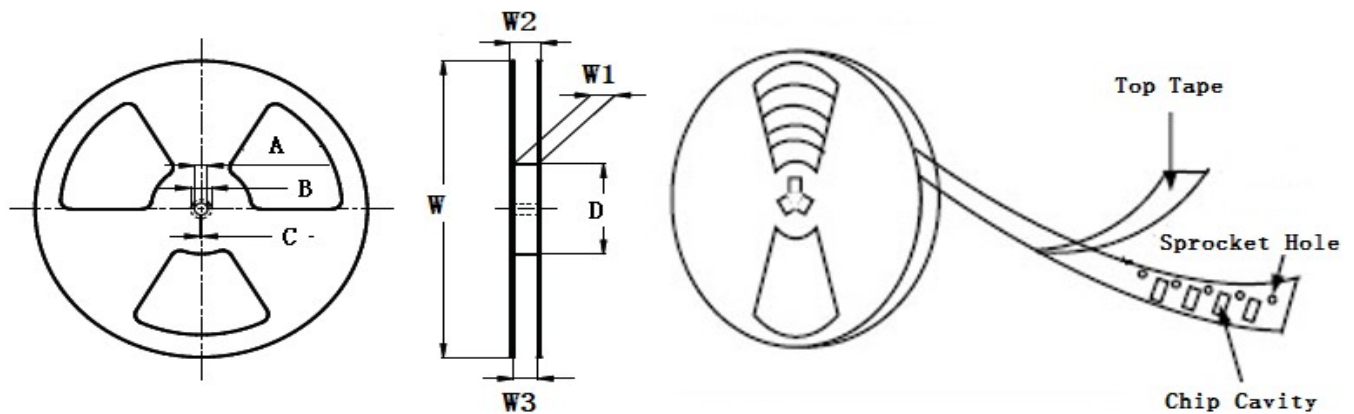
- ※ The saturation current value is the DC current value having inductance decrease down to 30%. (at 20°C)
- ※ The temperature rise current value is the DC current value having temperature increase up to 40°C. (at 20°C)
- ※ The rated current is the DC current value that satisfies both of current value saturation current value and temperature rise current value.

■ Taping Dimensions(Unit:mm)



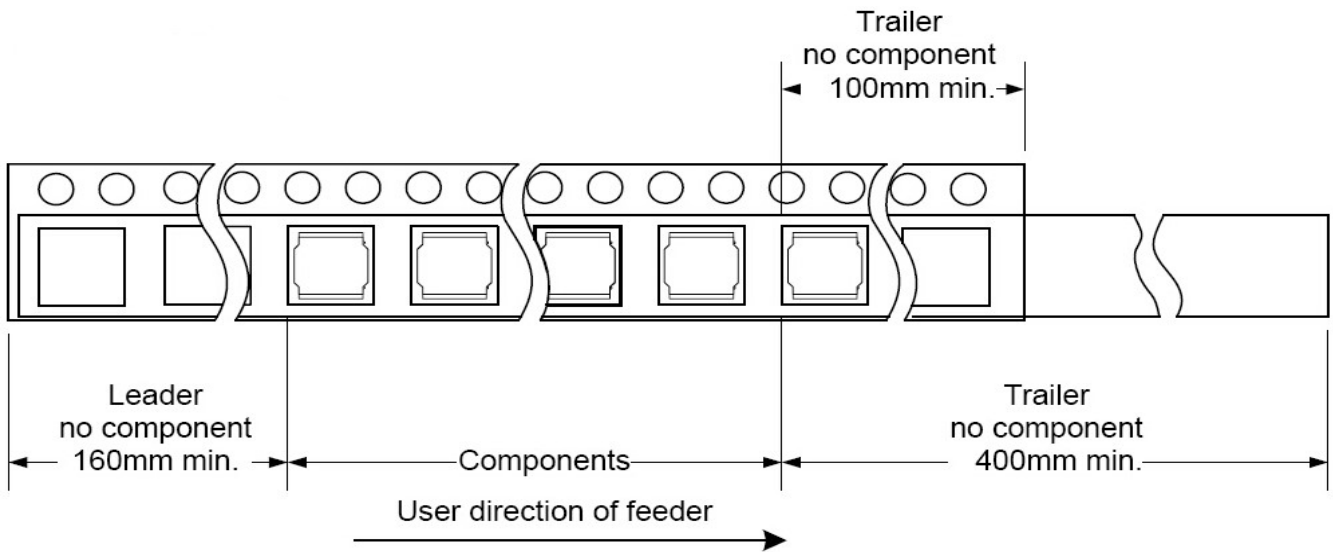
TYPE	W	A	B	C	D	E	P	K Ref	T	MPQ
YSPI0520	12±0.3	5.1±0.1	5.30±0.1	4.75	5.5±0.1	3.4±0.1	8±0.1	2.1	0.35±0.05	3000

■ Reel Dimensions(Unit:mm)

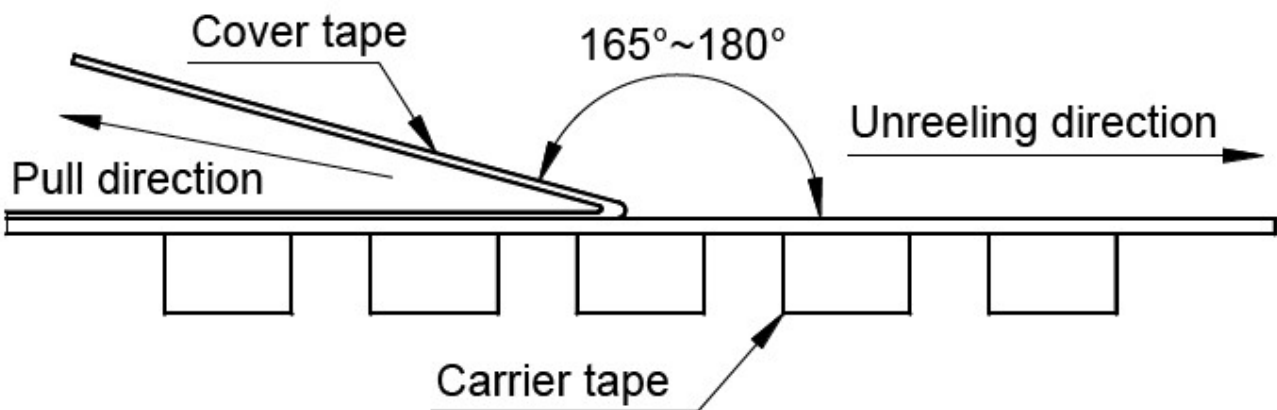


TYPE	W	W1	W2	W3	A	B	C	D
YSPI0520	330±2.0	12.8±1.50	18.4MAX	11.9 Min	13.0±0.50	21.0±0.80	2.0±0.50	100 Min

Direction of rolling



Cover tape peel off condition



Cover tape peel force shall be 0.1N to 1.3N.

Reference peel speed 300 ± 10 mm/min.