



RoHS

Specification

Client Name: _____

Client P/N: _____

Factory P/N: HL-PST-1608PT1F

Sending Date: _____

Client approval			Hong li approval		
Approval	Audit	Confirmation	Approval	Audit	Confirmation
<input type="checkbox"/> Qualified <input type="checkbox"/> Unqualified			DATE: _____		

Adr: West side of Dongfeng Highway, Auto City, Huadu

District, Guangzhou, China

Tel: 020-86733333 (Switchboard)

Fax: 020-86733883 86733938 86733265

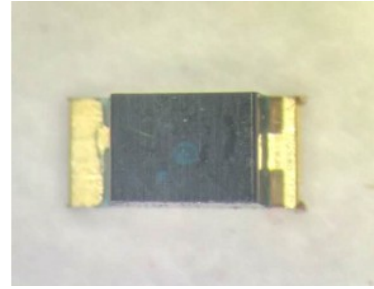
Web: www.honglitronic.com



HL-PST-1608PT1F

Features

- Extremely narrow viewing angle
- Suitable for all SMT assembly and solder process
- Available on tape and reel
- Moisture sensitivity level: Level 4
- RoHS compliant



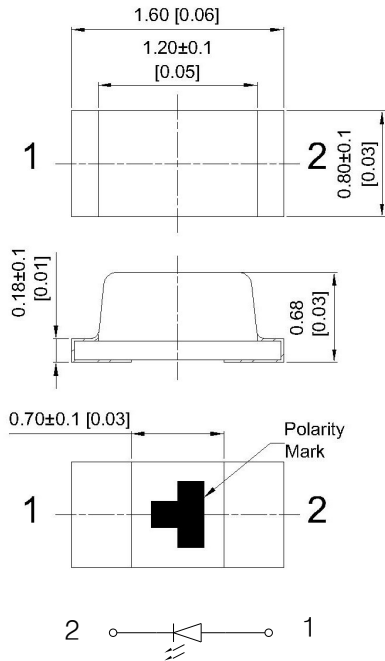
Description

PT1C made with GaAs infrared chips

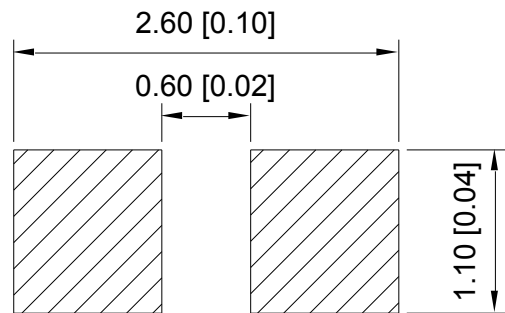


ATTENTION
OBSERVE PRECAUTIONS
FOR HANDLING
ELECTROSTATIC
DISCHARGE
SENSITIVE
DEVICES

Package Dimensions



Recommended Soldering Pattern



Notes:

1. All dimension units are millimeters.
2. All dimension tolerance is ±0.15mm unless otherwise noted.



HL-PST-1608PT1F

Electrical / Optical Characteristics at TA=25°C

Symbol	Parameter	Min	Typ	Max	Units	Test Conditions
$V_{BR\ CE0}$	Collector-Emitter Breakdown Voltage	30	-	100	V	$I_c=100\mu A$ $E_e=0mW/cm^2$
$V_{BR\ ECO}$	Emitter-to-Collector Breakdown Voltage	6.5	-	-	V	$I_e=100\mu A$ $E_e=0mW/cm^2$
$V_{CE(SAT)}$	Collector-to-Emitter Saturation Voltage	-	-	0.2	V	$I_c=100\mu A$ $E_e=20mW/cm^2$
I_{CEO}	Collector Dark Current	-	-	100	nA	$V_{CE}=100\mu A$ $E_e=0mW/cm^2$
T_R	Rise Time (10% to 90%)	-	15	-	us	$V_{CE}=5V$ $I_C=1mA$ $R_L=1000\Omega$
T_F	Fall Time (90% to 10%)	-	15	-	us	
$I_{(ON)}$	On State Collector Current	0.1	0.5	-	mA	$V_{CE}=5V$ $E_e=1mW/cm^2$ $\lambda=940nm$

Symbol (符号)	Parameter (参数)	Min (最小)	Max (最大)	Units (单位)	Test Conditions 测试条件
I_{CE}	On State Collector Current (接收器电流)	2	2.5	mA	$V_{CE}=5V$ $E_e=1mW/cm^2$ $\lambda=940nm$
		2.5	3		
		3	3.5		

Absolute Maximum ratings at Ta=25°C

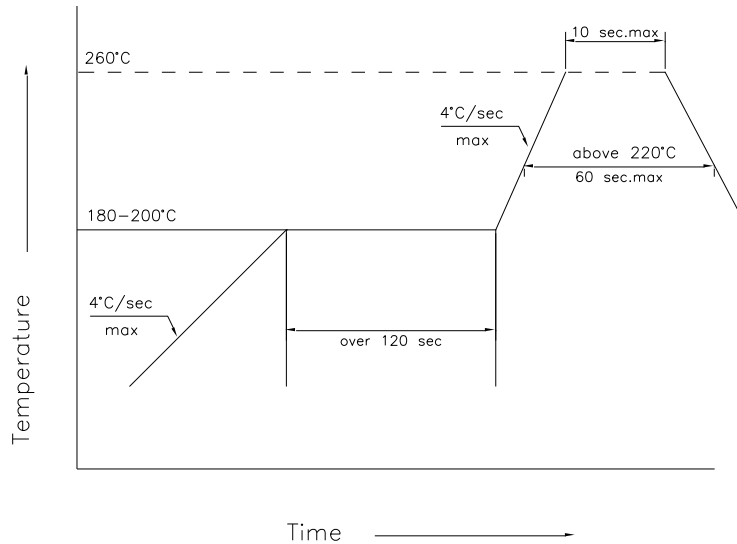
Parameter	Max Ratings
Collector-to-Emitter Breakdown Voltage	55V
Emitter-to-Collector Breakdown Voltage	6.5V
Power Dissipation at (or below) 25°C Free Air Temperature	100mW
Operating Temperature Range	-30°C~80°C
Storage Temperature Range	-30°C~80°C
Lead Soldering Temperature (>3mm for 5sec)	260°C

Note:

- 1/10 Duty cycle, 0.1ms pulse width.
- The above forward voltage measurement allowance tolerance $\pm 0.1V$.

HL-PST-1608PT1F

SMT Reflow Soldering Instructions



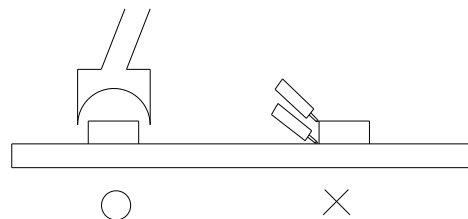
1. Reflow soldering should not be done more than two times
2. When soldering, do not put stress on the LEDs during heating

Soldering iron

1. When hand soldering, the temperature of the iron must be less than 300°C for 3 seconds
2. The hand solder should be done only one time

Repairing

Repair should not be done after the LEDs have been soldered. When repairing is unavoidable, a double-head soldering iron should be used (as below figure). It should be confirmed beforehand whether the characteristics of LEDs will or will not be damaged by repairing.



HL-PST-1608PT1F

Label

IV: Luminous intensity rank
WD: Dominate Wavelength
VF: Forward voltage rank



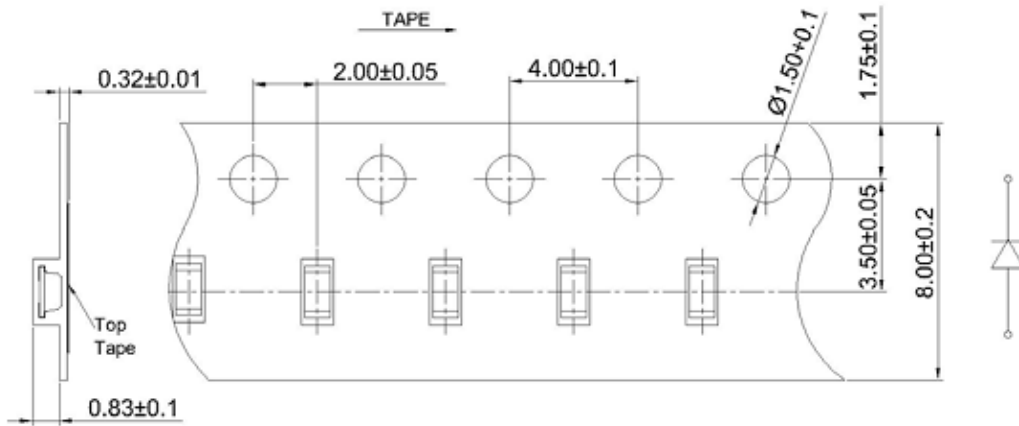
HONGLITRONIC
鸿利光电

RoHS

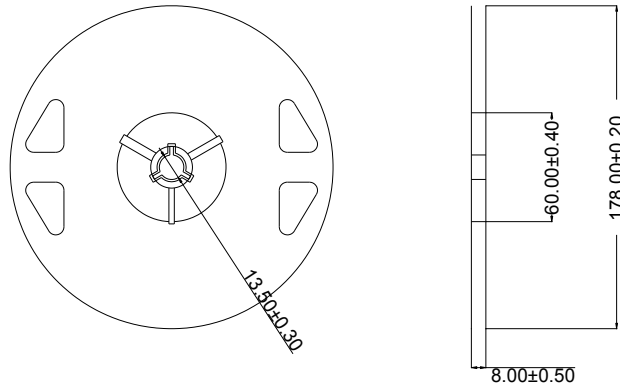
Part No: XXXXXXXXXXXXXXXXXXXX
IV: VF: WD:
Quantity:
Sealing date: XXXXXXXXXXXXXXXXXXXX



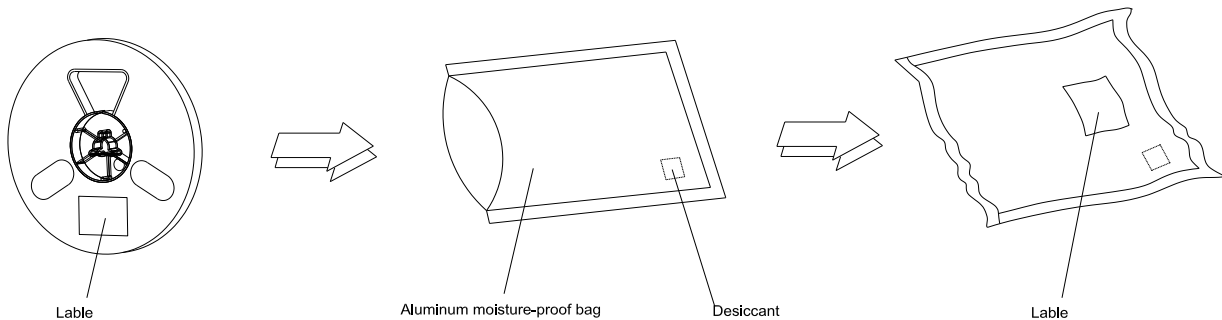
Tape Specifications (Units : mm)



Reel Dimensions



Moisture Resistant Packaging



Note: The tolerances unless mentioned is $\pm 0.1\text{mm}$, Unit: mm



修订次数	修订人	修订内容	修订日期	版次
1				
2				
3				
4				
5				
6				
7				
8				
9				
10				
11				
12				
13				
14				
15				
16				
17				
18				
19				
20				
21				
22				
23				
24				
25				
26				