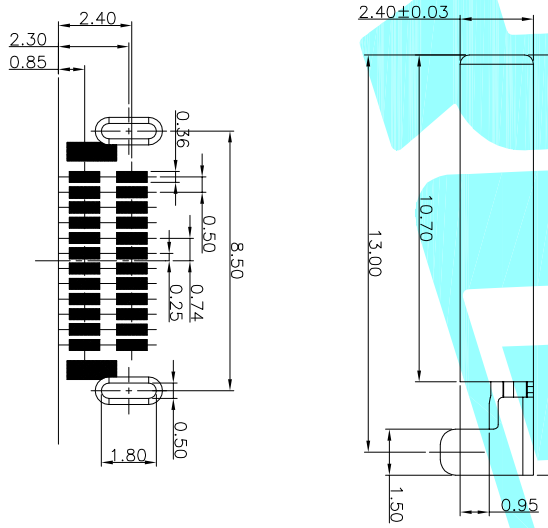
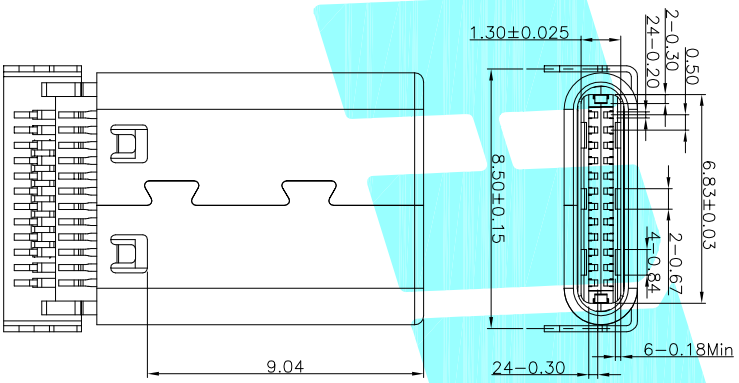


A1	GND	B12	GND
A2	SSTXP1	B11	SSRXP1
A3	SSTXN1	B10	SSRXN1
A4	VBUS	B9	VBUS
A5	CC1	B8	SBU2
A6	DP1	B7	DN2
A7	DN1	B6	DP2
A8	SBU1	B5	CC2
A9	VBUS	B4	VBUS
A10	SSRXN2	B3	SSTXN2
A11	SSRXP2	B2	SSTXP2
A12	GND	B1	GND
PIN	SIGNAL_NAME	PIN	SIGNAL_NAME

SPECIFICATION MATERIAL

See drawing
 STANDARD DATA
 Rating current: 3.0 A
 ELECTRICAL
 Insulator resistance: 100Mohms Min.
 Withstanding voltage: 100 VAC / minute
 Contact resistance: 40mohms Max.
 MECHANICAL
 Mating force: 5~20N Max.
 Umating force : 6~20N Min.
 Durability: 10,000 cycles Min.



RECOMMENDED P.C.B. LAYOUT

③	Shell	—	1	STAINLESS STEEL	Ni Plated
②	Contact	—	14	COPPER ALLOY	Au Plated
①	Housing	—	1	LCP	Black
ITEM	PART NAME	TER'NO.	QTY.	MATERIAL	FINISHING

APPROVALS		DATE	TITLE:	
DRAWN		2018.08.01	USB CONNECTOR	
CHECKED			ELECTRONICS CO.,LTD	

ECN NO.	REV.	DATE.	DESCRIPTION.	CHANGE.	CHECK.	APPRO.
	A		NEW			
TOLERANCES ARE		30~0.15	±0.30	ANGLE	±2°	DRAWING NO.
		10~30	±0.25	UNIT:	mm	SCALE: 1:1
		5~10	±0.20	PROJ:		
		~5	±0.15	SHEET	1 OF 1	