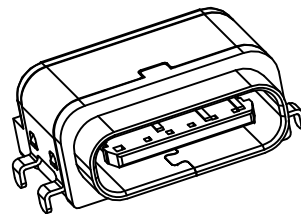
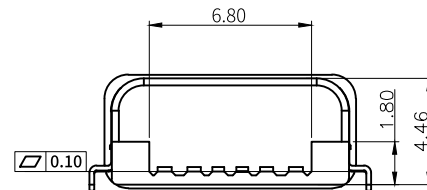
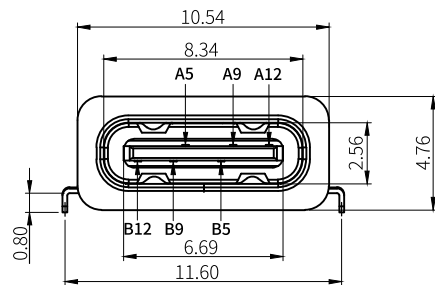


IPX8

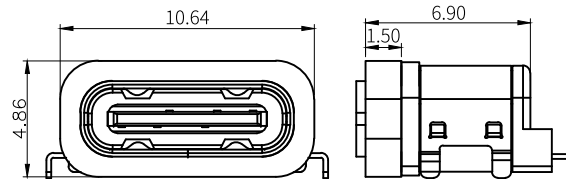
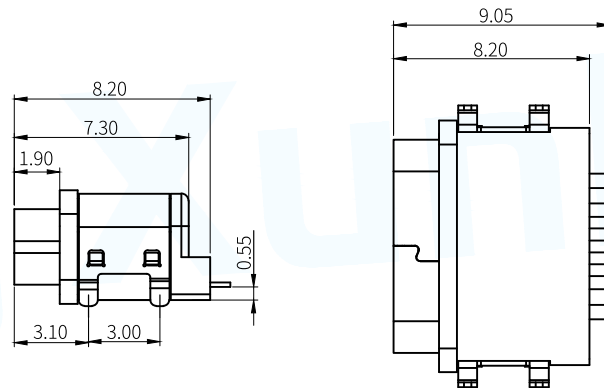
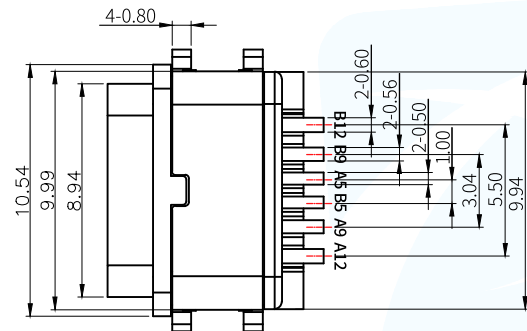
PIN NO	SIGNAL NAME	PCS PAD NO
A1&B12	GND	C1
A4&B9	VBUS	C2
A5	CC1	C3
B5	CC2	C4
A9&B4	VBUS	C5
A12&B1	GND	C6



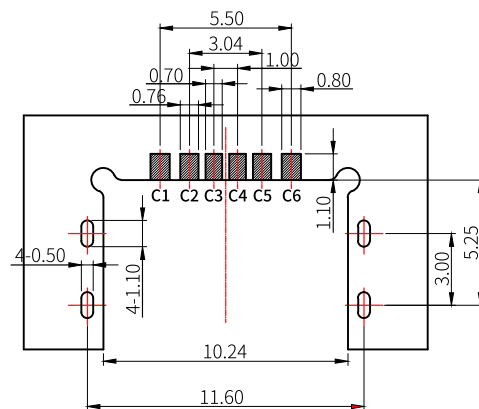
SPECIFICATION:

PECIFICATION:

- 1.CURRENT RATING: 3.0A MAX
- 2.VOLTAGE: 100 VAC
- 3.TEMPERATURE RANGE: -30°C ~ +85°C
- 4.CONTACT RESISTANCE: 40 MILLIONHM MAX
- 5.INSULATION RESISTANCE: 100 MEGOHMS MIN
- 6.LNSERTION FORCE: 5N ~ 20N
- 7.UNMATING FORCE: 8N ~ 20N
- 8.DURABILITY: 10,000 CYCLES
- 9.WATER PROOFNESS: THISPRODUCTIS BASED ON IPX7.



加防水圈示意图



RECOMMENDED P.C.B LAYOUT
TOLERANCE UNSPECIFIED ±0.05mm

ITEM	Description	Qty	Material	Remarks
1	HOUSING	1PCS	HIGH TEMPERATURE PLASTIC	BLACK
2	SHELL HOUSING	1PCS	HIGH TEMPERATURE PLASTIC	BLACK
3	CONTACT	1PCS	COPPER ALLOY	TIN/AU/NI Plated
4	SHIELDING PLATE	1PCS	STAINLESS STEEL	NI Plated
5	SHELL	1PCS	STAINLESS STEEL	NI Plated

MANUFACTURE DWG		 东莞市讯普电子科技有限公司 DongGuan XunPu Electronics Co.,Ltd		
UNLESS OTHERWISE SPECIFIED TOLERANCES			TITLE: Type.c单排6PIN四脚插板防水母座	
DECIMALS:	ANGLES:		PAR	TYPEC-240-ARP6G4X8
X:±0.5	X:±2°		DWN	KING
X.X:±0.3	X.X:±1°		CHKD	2016.08.03
X.XX:±0.2		APVD		
CUSTOMER COPY		SCALE 1:1	UNIT: mm	
		SIZE:A4	SHEET:1F1	REV:A