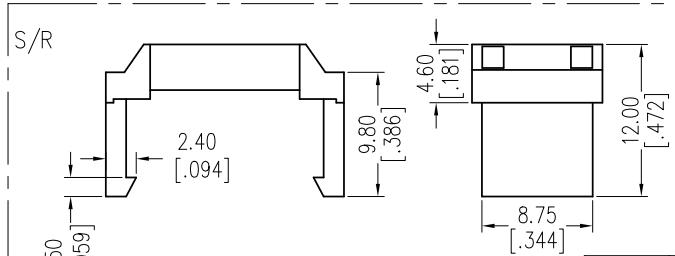
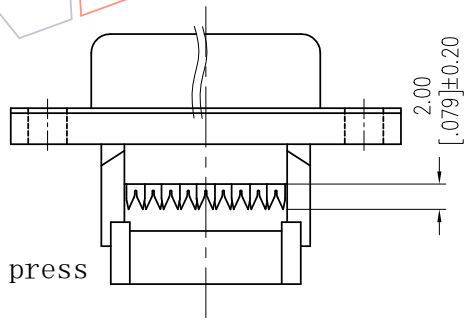
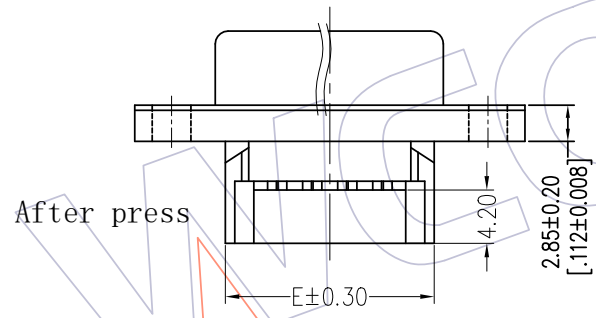
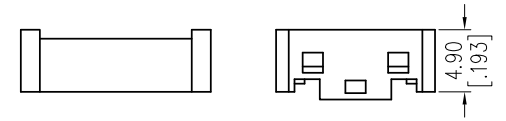
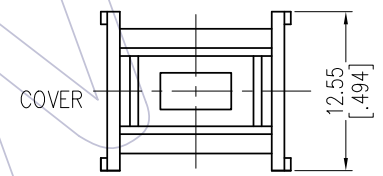
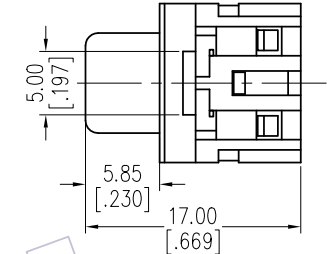
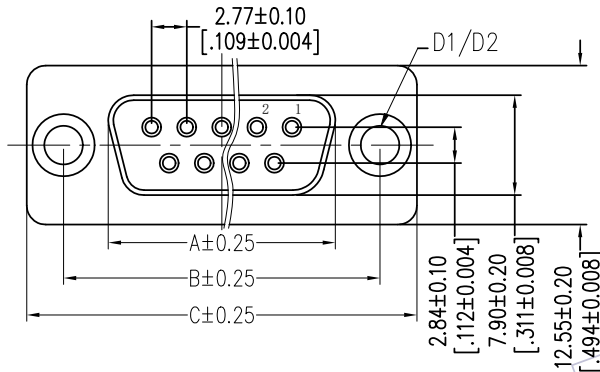


NOTES:

Current Rating: 3.0AMP
 Contact Resistance: 20mΩ Max
 Withstand Voltage: 500V AC/DC
 Insulation Resistance: 1000MΩ Min
 Operation Temperature: -55°C to +105°C

Contact Material: Phosphor Bronze/Brass
 Contact plating: Sel. Au over Ni
 Insulator Material: PBT+30%G.F UL94V-0
 Sheel: Cold Roller Steel, Ni Plated
 Nut: Brass, Sn over Ni Plated



Ordering Information

6224-XX F N XX X 0 X

- | | | | |
|-----------------------------|---|--------------------------------------|--|
| No. of Pins
09,15,25,37P | Contact Plating
S0=Gold Flash/Ni
S3=10u"Gold/Ni
S4=15u"Gold/Ni
S5=30u"Gold/Ni | Insulator Color
B:Black
U:Blue | Screw
1=W/O Screw thread(three part)
2=W/T Screw thread(three part)
3=W/O Screw thread(two part)
4=W/T Screw thread(two part)
5=W/T Screw thread,Don't lock(two part)
6=W/T Screw thread&Nut,Don't lock (two part) |
|-----------------------------|---|--------------------------------------|--|

D1	6224-XXFNXXX01/3
D2	6224-XXFNXXX02/4

No. of Positions	DIM "A"	DIM "B"	DIM "C"	DIM "D1"	DIM "D2"	DIM "E"
09	16.33	24.99	30.82	W/O Screw thread ∅3.05	W/T Screw thread ∅3.05, #4-40	16.90
15	24.66	33.32	39.24			25.60
25	38.38	47.04	53.04			38.90
37	54.84	63.50	69.62			55.60

A3	2019/07/30	Modify	△	OPERATION	DRAW	DATE	SCALE	FIT	PART NO.	 Http: www.wcon.com WCON-Dongguan Tel: +86 769 85358920 Fax: +86 769 85358915 E-mail: sales@wcon.com WCON-Kunshan Tel: +86 512 57468408 Fax: +86 512 57468468 E-mail: salesks@wcon.com
A2	2017/03/01	Modify	△	x.x ±0.40	Ding	2019/07/30	UNIT	mm	6224-XXFNXXX0X	
A1	2015/12/15	Modify	△	x.xx ±0.25	CHECK	DATE	SIZE	A4	TITLE:	
A0	2012/12/06	NEW	-----	x.xxx ±0.15	APPROVE	DATE	SHEET	1/1	D-SUB FEMALE DUAL ROW IDC TYPE	
REV	DATE	MODIFICATION DESCRIPTION	CHANGE	Angle ± 3°			PROJ.	Customer NO.		