

HSF

NOTES:
 Current Rating: 0.5AMP
 Voltage Rating: 50V AC/DC
 Contact Resistance: 30mΩ max
 Withstand Voltage: 100V AC for 1minute
 Insulation Resistance: 500MΩ min
 Operation Temperature: -25°C to +105°C

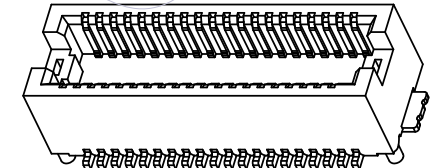
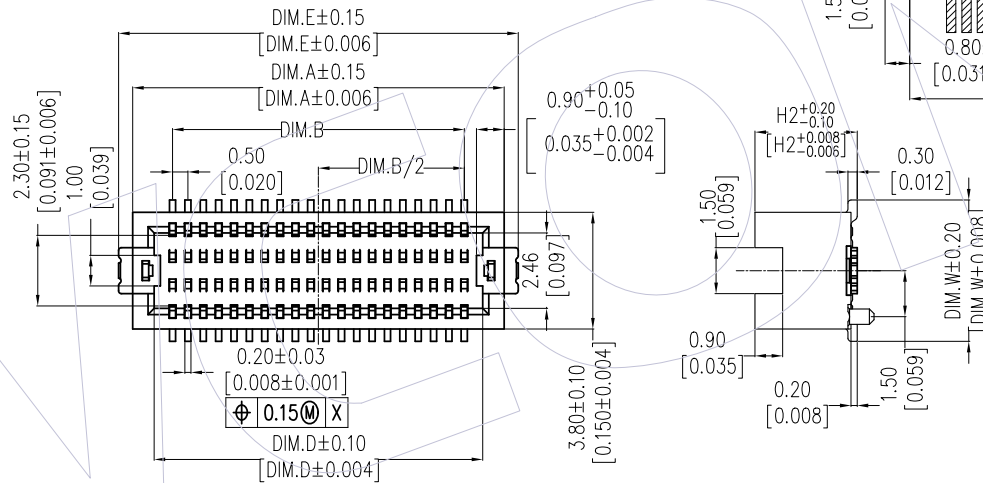
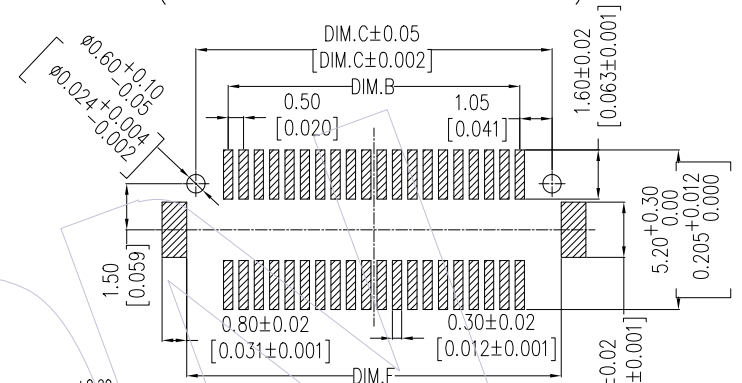
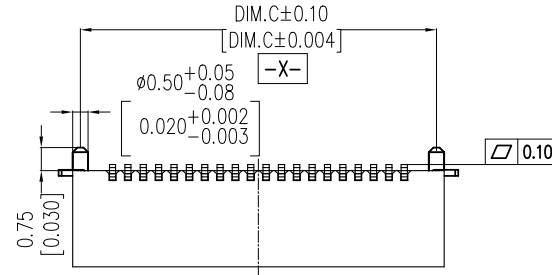
Housing Material: PA9T(UL94V-0), NATURAL
 Contact Material: Copper alloy
 Fixing Material: Copper alloy
 Contact plating: Au over Ni
 Fixing plating: Sn over Ni

Ordering Information

3622-P XXX - XXX XX X 02

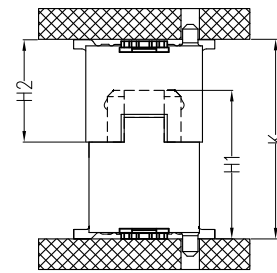
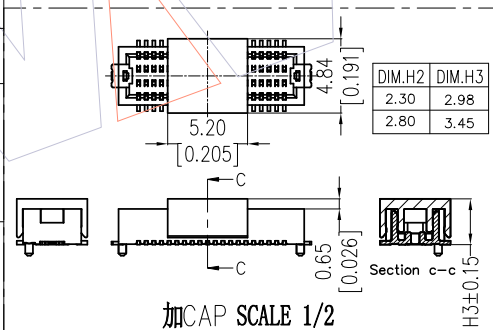
No. of Pins	Housing High	Contact Plating	T=Tube
14P	36P	023=2.30	P=Tube+CAP
20P	40P	028=2.80	R=Tape&Reel+CAP
24P	50P	033=3.30	
30P	60P	038=3.80	
32P		043=4.30	
		048=4.80	
		G1=3u"Gold	
		G3=10u"Gold	
		G4=15u"Gold	
		G5=30u"Gold	
		H5=30u"Gold(Contact area, 3u"Gold other area)	

Recommended P.C.B Layout (Top Side)
 (PCB BOARD TOLERANCE ±0.05)



	CAP	PART NO.	DIM.H2	DIM.W
WITH		3622-PXXX-023XXX02	2.33	4.60
		3622-PXXX-028XXX02	2.80	
W/O		3622-PXXX-033XXX02	3.33	
		3622-PXXX-038XXX02	3.83	
		3622-PXXX-043XXX02	4.33	
		3622-PXXX-048XXX02	4.83	

ASS'Y HEIGHT(K)	PLUG(H2)	SOCKET(H1)
3.00	2.33	2.20
3.50	2.80	
4.00	2.80	
4.50	3.33	2.73
5.00	3.83	
5.50	4.33	
6.00	4.83	
6.50	3.33	
7.00	3.83	
7.50	4.33	4.70
8.00	4.83	



PIN NO.	DIM.A	DIM.B	DIM.C	DIM.D	DIM.E	DIM.F
14	5.60	3.00	5.10	4.20	6.50	5.70
20	7.10	4.50	6.60	5.70	8.00	7.20
24	8.10	5.50	7.60	6.70	9.00	8.20
30	9.60	7.00	9.10	8.20	10.50	9.70
32	10.10	7.50	9.60	8.70	11.00	10.20
36	11.10	8.50	10.60	9.70	12.00	11.20
40	12.10	9.50	11.60	10.70	13.00	12.20
50	14.60	12.00	14.10	13.20	15.50	14.70
60	17.10	14.50	16.60	15.70	18.00	17.20

REV	DATE	MODIFICATION DESCRIPTION	CHANGE	OPERATION	DRAW	DATE	SCALE	Fit	PART NO.
				x.X ±0.40	Ding	2018/03/09	UNIT	mm	3622-PXXX-XXXXXX02
				x.XX ±0.25	CHECK	DATE	SIZE	A4	TITLE:
				x.XXX ±0.15	APPROVE	DATE	SHEET	1/1	0.50pitch BTB MALE SMT TYPE W/ LATCH
				Angle ± 3'			PROJ.	Customer NO.	
				DIM TOL					

WCON

Http: www.wcon.com

WCON-Dongguan Tel: +86 769 85358920 Fax: +86 769 85358915 E-mail: sales@wcon.com	WCON-Kunshan Tel: +86 512 57468408 Fax: +86 512 57468468 E-mail: salesks@wcon.com
---	--