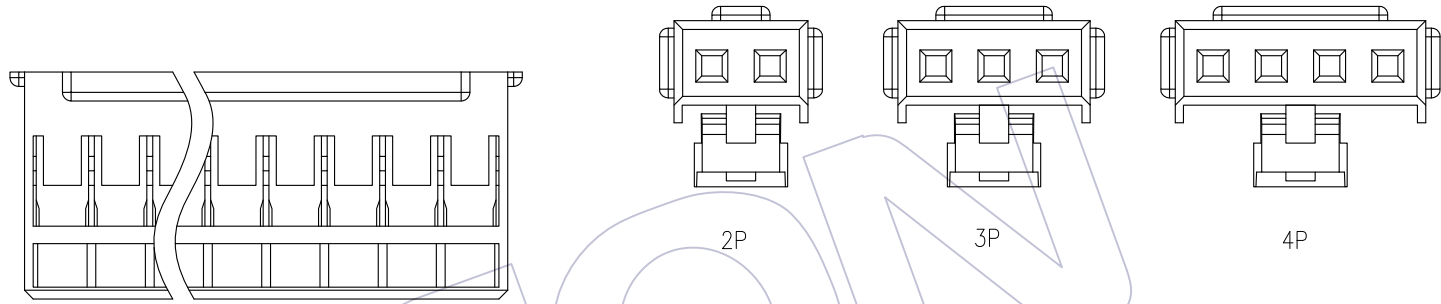


HSF

NOTES:
 Rated Current:2A
 Rated Voltage:250V AC/DC
 Contact Resistance:20mΩ max
 Withstand Voltage:800V AC/Minute
 Insulation Resistance:1000MΩ min
 Operation Temperature:-25℃ to+85℃
 Material:PA66 UL94V-0
 Use with:WF2005-T
 Mated With:WF2005-Wafer



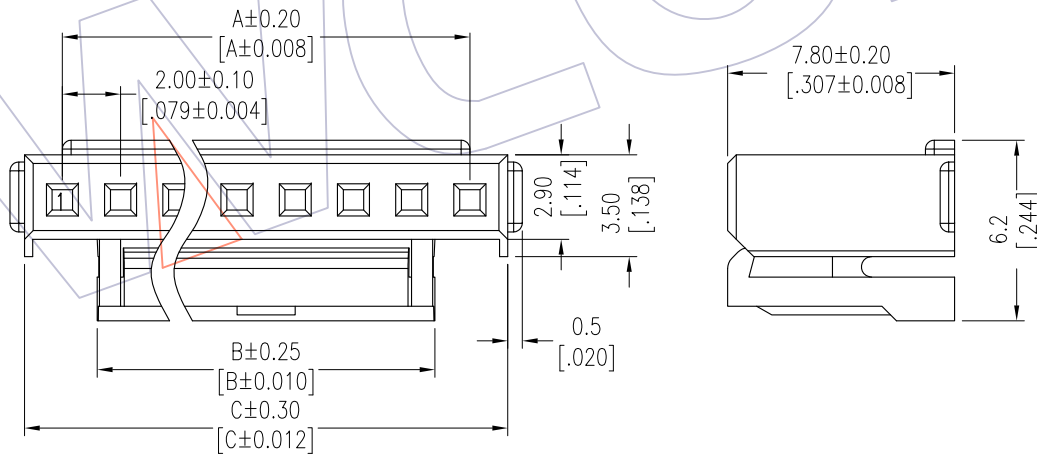
Ordering Information

WF2005 - H XX X 0 1

No. of pins
02P~15P

Color
E=Beige
W=White
B=Black
N=Brown

Packing
0=PE Bag



Specification & Ordering Information:

| Circuit | Part No. | Dimension | | |
|---------|---------------|-----------|-------|-------|
| | | A | B | C |
| 02 | WF2005-H02X01 | 2.00 | 3.20 | 4.60 |
| 03 | WF2005-H03X01 | 4.00 | 3.20 | 6.60 |
| 04 | WF2005-H04X01 | 6.00 | 3.20 | 8.60 |
| 05 | WF2005-H05X01 | 8.00 | 5.60 | 10.60 |
| 06 | WF2005-H06X01 | 10.00 | 7.60 | 12.60 |
| 07 | WF2005-H07X01 | 12.00 | 9.60 | 14.60 |
| 08 | WF2005-H08X01 | 14.00 | 11.60 | 16.60 |
| 09 | WF2005-H09X01 | 16.00 | 13.60 | 18.60 |
| 10 | WF2005-H10X01 | 18.00 | 15.60 | 20.60 |
| 11 | WF2005-H11X01 | 20.00 | 17.60 | 22.60 |
| 12 | WF2005-H12X01 | 22.00 | 19.60 | 24.60 |
| 13 | WF2005-H13X01 | 24.00 | 21.60 | 26.60 |
| 14 | WF2005-H14X01 | 26.00 | 23.60 | 28.60 |
| 15 | WF2005-H15X01 | 28.00 | 25.60 | 30.60 |

| REV | DATE | MODIFICATION DESCRIPTION | CHANGE | OPERATION | DRAW | DATE | SCALE | FIT | PART NO. |
|-----|------------|--------------------------|--------|-------------|---------|------------|-------|-----|----------------|
| A0 | 2012/09/05 | NEW | | X.X ±0.40 | JYHuang | 2012/09/05 | UNIT | mm | SEE TAB |
| | | | | X.XX ±0.25 | CHECK | DATE | SIZE | A4 | TITLE: |
| | | | | X.XXX ±0.15 | APPROVE | DATE | SHEET | 1/1 | YH2.00 HOUSING |
| | | | | Angle ± 3' | | | PROJ. | ⌀ | Customer NO. |
| | | | | DIM TOL | | | | | |

WCON

Http: www.wcon.com

WCON-Dongguan
 Tel: +86 769 85358920
 Fax: +86 769 85358915
 E-mail: sales@wcon.com

WCON-Kunshan
 Tel: +86 512 57468408
 Fax: +86 512 57468468
 E-mail: salesks@wcon.com