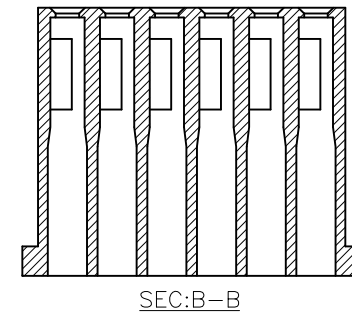
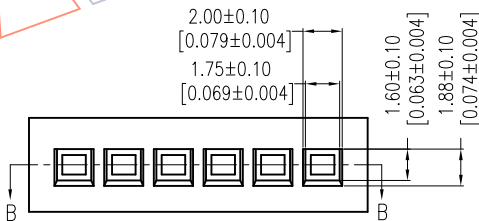
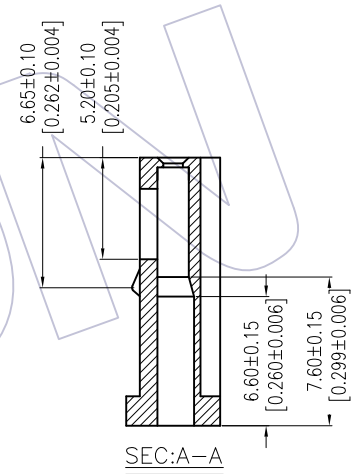
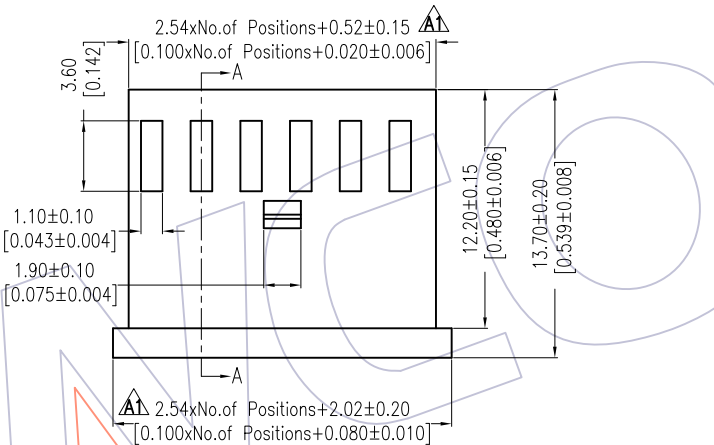
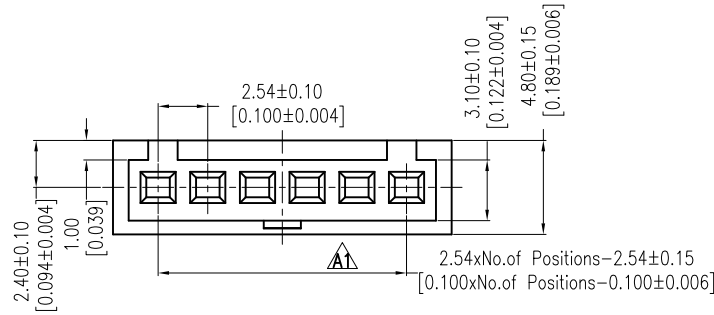


HSF

NOTES:

Rated Current:3.0AMP
 Contact Resistance:20mΩ max
 Withstand Voltage:1000V AC/DC
 Insulation Resistance:1000MΩ min
 Operation Temperature:-25℃ to +85℃
 Insulator Material:PBT+30%G.F(UL94V-0)
 Use with:WF2548-T
 Mated With:WF2548-Wafer



Ordering Information
 WF2548-1 H XX B 0 1

No.of Pins Per Row:
 02P~22P

Packing
 0=PE Bag

REV		DATE	MODIFICATION DESCRIPTION	CHANGE	OPERATION	DRAW	DATE	SCALE	FIT	PART NO.
A1	2017/02/27		Modify	△	X.X ±0.40	Ding	2017/02/27	UNIT	mm	WF2548-1HXXB01
A0	2012/09/08		NEW	—	X.XX ±0.25	CHECK	DATE	SIZE	A4	TITLE:
					X.XXX ±0.15	APPROVE	DATE	SHEET	1/1	2.54 Single Row T Type Housing
					Angle ± 3'			PROJ.	⌀	Customer NO.
					DIM TOL					

WCON
 Http: www.wcon.com

WCON-Dongguan Tel: +86 769 85358920
 WCON-Kunshan Tel: +86 512 57468408
 Fax: +86 769 85358915
 Fax: +86 512 57468468
 E-mail: sales@wcon.com
 E-mail: salesks@wcon.com