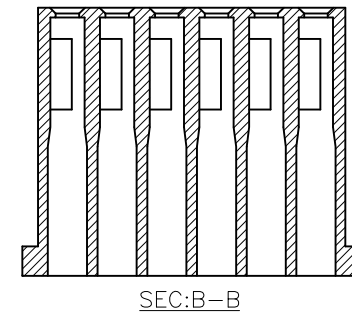
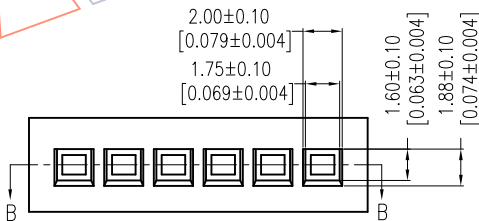
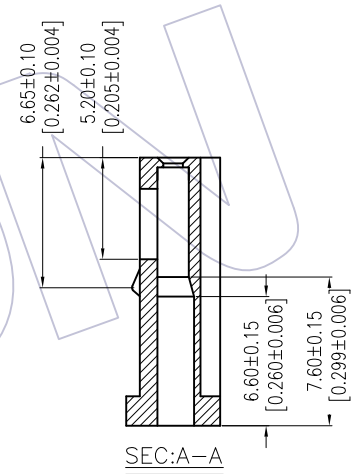
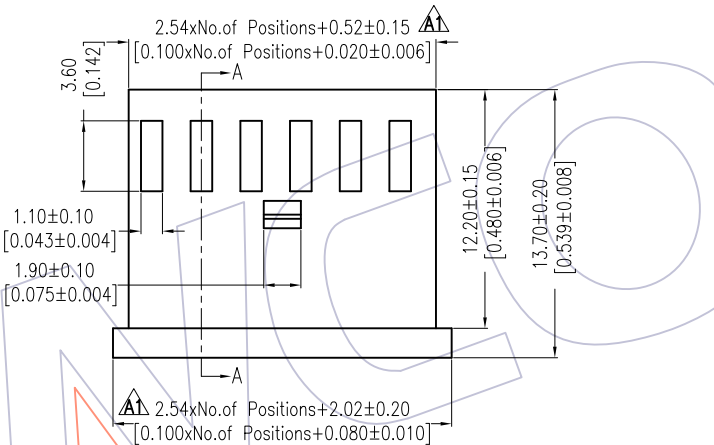
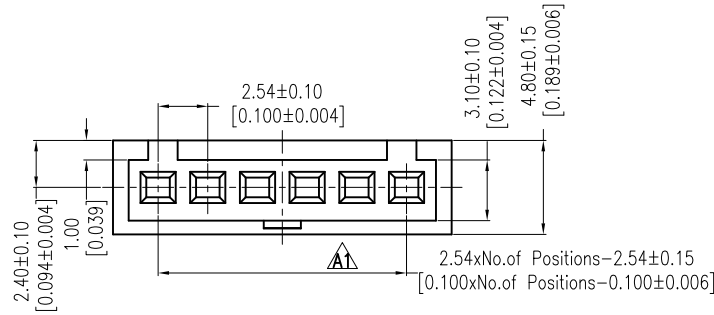


HSF

NOTES:


Rated Current:3.0AMP
 Contact Resistance:20mΩ max
 Withstand Voltage:1000V AC/DC
 Insulation Resistance:1000MΩ min
 Operation Temperature:-25℃ to +85℃
 Insulator Material:PBT+30%G.F(UL94V-0)
 Use with:WF2548-T
 Mated With:WF2548-Wafer



Ordering Information
WF2548-1 H XX B 0 1

No. of Pins Per Row:
 02P~22P

Packing
 0=PE Bag

| REV | | DATE | MODIFICATION DESCRIPTION | CHANGE | OPERATION | DRAW | DATE | SCALE | FIT | PART NO. |  Http: www.wcon.com WCON-Dongguan Tel: +86 769 85358920 Fax: +86 769 85358915 E-mail: sales@wcon.com | WCON-Kunshan Tel: +86 512 57468408 Fax: +86 512 57468468 E-mail: salesks@wcon.com |
|-----|--|------------|--------------------------|--------|-----------|-------|------------|-------|-----|--------------------------------|--|--|
| A1 | | 2017/02/27 | Modify | △ | X.X | ±0.40 | 2017/02/27 | UNIT | mm | WF2548-1HXXB01 | | |
| A0 | | 2012/09/08 | NEW | — | X.XX | ±0.25 | DATE | SIZE | A4 | | | |
| | | | | | X.XXX | ±0.15 | DATE | SHEET | 1/1 | 2.54 Single Row T Type Housing | | |
| | | | | | Angle | ± 3' | DATE | PROJ. | ⊕ | Customer NO. | | |
| | | | | | DIM | TOL | | | | | | |