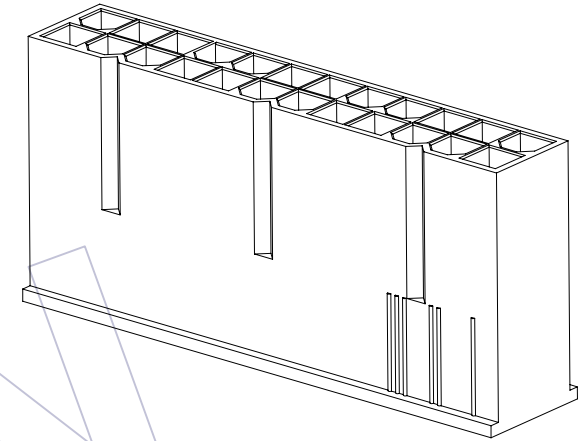
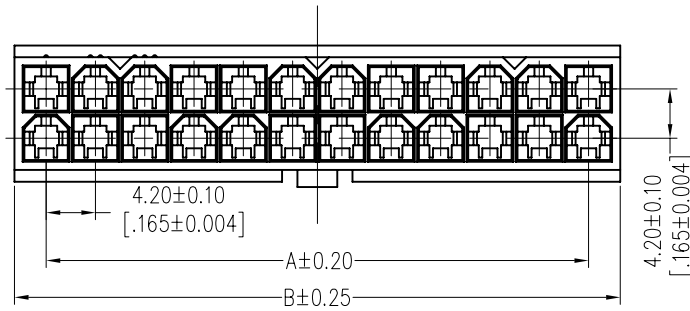


HSF

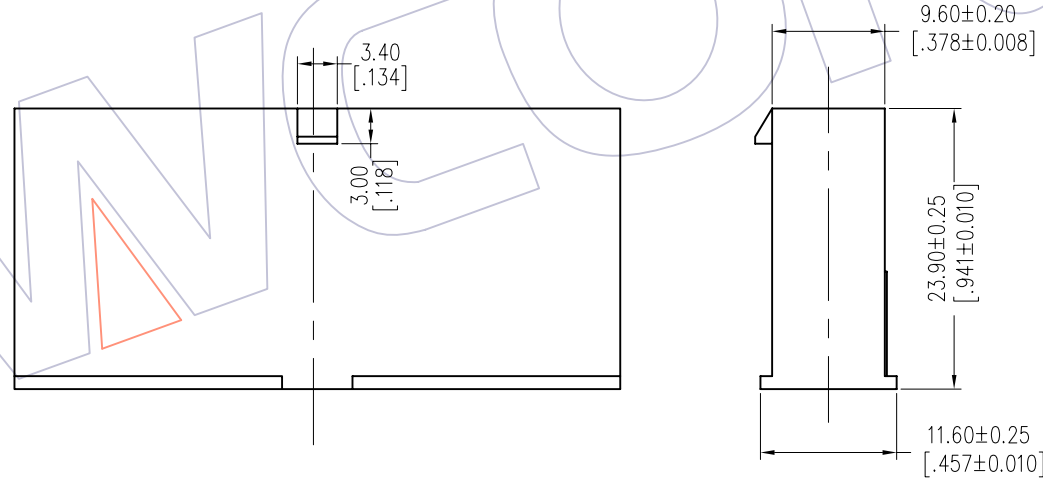
NOTES:
 Rated Current: 9.0A
 Contact Resistance: 20mΩ max
 Withstand Voltage: 1500V AC/Minute
 Insulation Resistance: 1000MΩ min
 Operation Temperature: -25°C to +85°C
 Insulator Material: PA66
 Used with: WF4202-MT(Male Terminal)



Ordering Information

WF4202- 2H K XX W 0 2

No. of Pins per 01~12
 Color W=White
 Packing 0=PE Bag

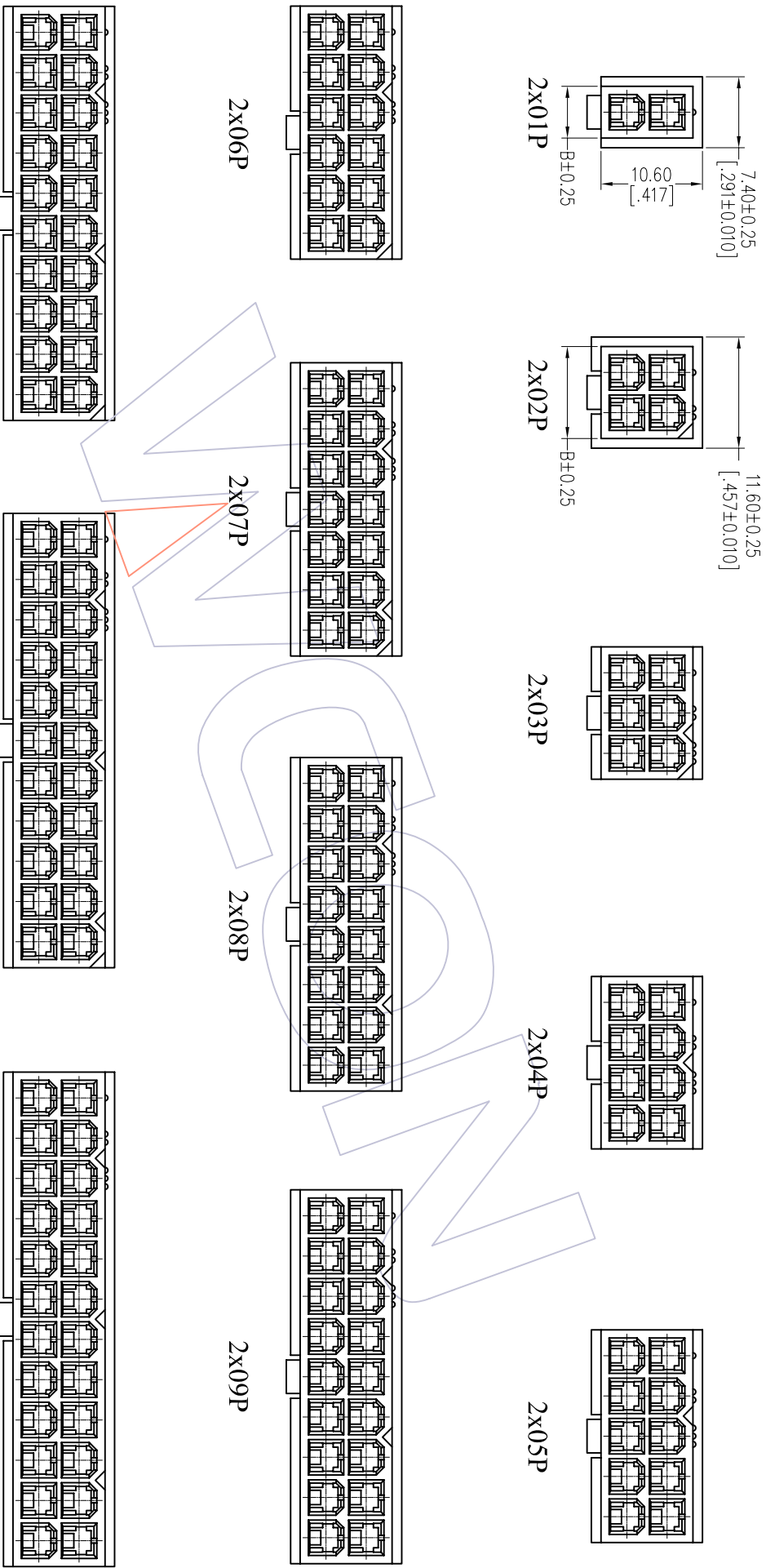


Dimensional & Ordering Information

Circuit	Part No.	Dimension	
		A	B
2x01	WF4202-2HK01W02	---	5.40
2x02	WF4202-2HK02W02	4.20	9.60
2x03	WF4202-2HK03W02	8.40	13.80
2x04	WF4202-2HK04W02	12.60	18.00
2x05	WF4202-2HK05W02	16.80	22.20
2x06	WF4202-2HK06W02	21.00	26.40
2x07	WF4202-2HK07W02	25.20	30.60
2x08	WF4202-2HK08W02	29.40	34.80
2x09	WF4202-2HK09W02	33.60	39.00
2x10	WF4202-2HK10W02	37.80	43.20
2x11	WF4202-2HK11W02	42.00	47.40
2x12	WF4202-2HK12W02	46.20	51.60

REV	DATE	MODIFICATION DESCRIPTION	CHANGE	OPERATION		DRAW	DATE	SCALE	FIT	PART NO.	TITLE:	WCON	
				X.X	±0.40							JYHuang	2012/09/17
AO	2012/09/17	NEW	---	X.XX	±0.25	CHECK	DATE	SIZE	A4	SEE TAB	4.20mm Mini Fit Housing Dual Row Female	WCON-Dongguan	WCON-Kunshan
				X.XXX	±0.15	APPROVE	DATE	SHEET	1/2	Customer NO.		Tel: +86 769 85358920	Tel: +86 512 57468408
				Angle	± 3'			PROJ.	⊕			Fax: +86 769 85358915	Fax: +86 512 57468468
				DIM	TOL							E-mail: sales@wcon.com	E-mail: salesks@wcon.com

HSF



OPERATION		DRAW		PART NO.			
XX	±0.40	JYHuang	DATE	WF4202-2HKXXW02			
XX	±0.25	CHECK	DATE	4.20mm Mini Fit Housing			
XX	±0.15	APPROVE	DATE	Dual Row Female			
Angle	± 3'	PROJ.	DATE	Customer NO.			
DIM	TOL.	PROJ.	DATE	Customer NO.			

WCON
 Http: www.wcon.com

WCON-Dongguan
 Tel: +86 769 85358920
 Fax: +86 769 85358915
 E-mail: sales@wcon.com

WCON-Kunshan
 Tel: +86 512 57468408
 Fax: +86 512 57468468
 E-mail: sales@wcon.com