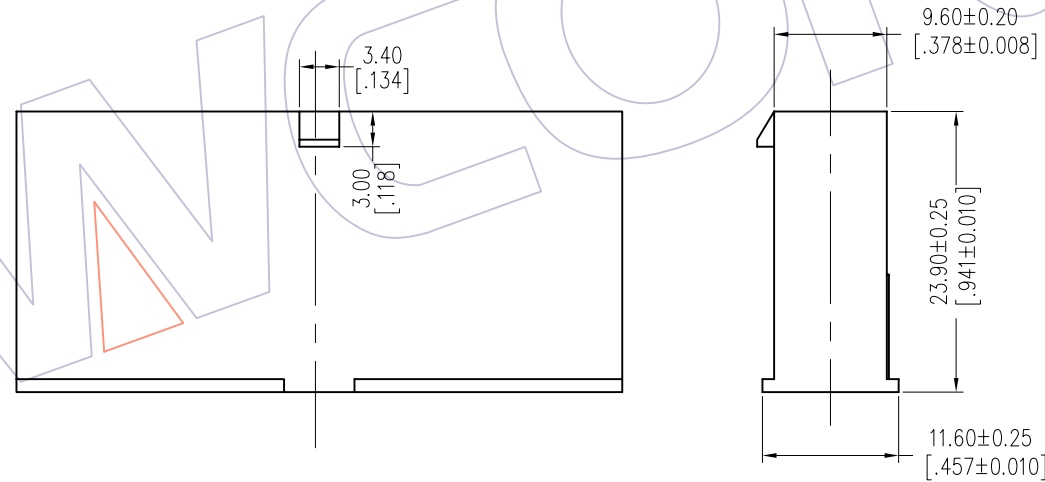
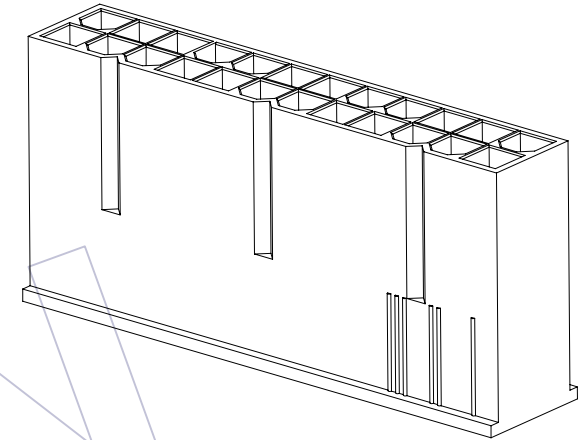
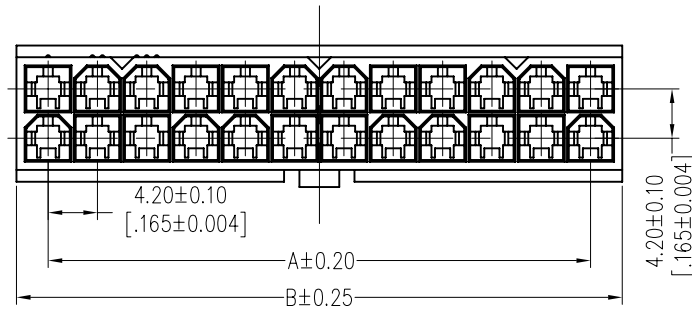


HSF

NOTES:
 Rated Current: 9.0A
 Contact Resistance: 20mΩ max
 Withstand Voltage: 1500V AC/Minute
 Insulation Resistance: 1000MΩ min
 Operation Temperature: -25°C to +85°C
 Insulator Material: PA66
 Used with: WF4202-MT(Male Terminal)



Ordering Information

WF4202- 2H K XX W 0 2

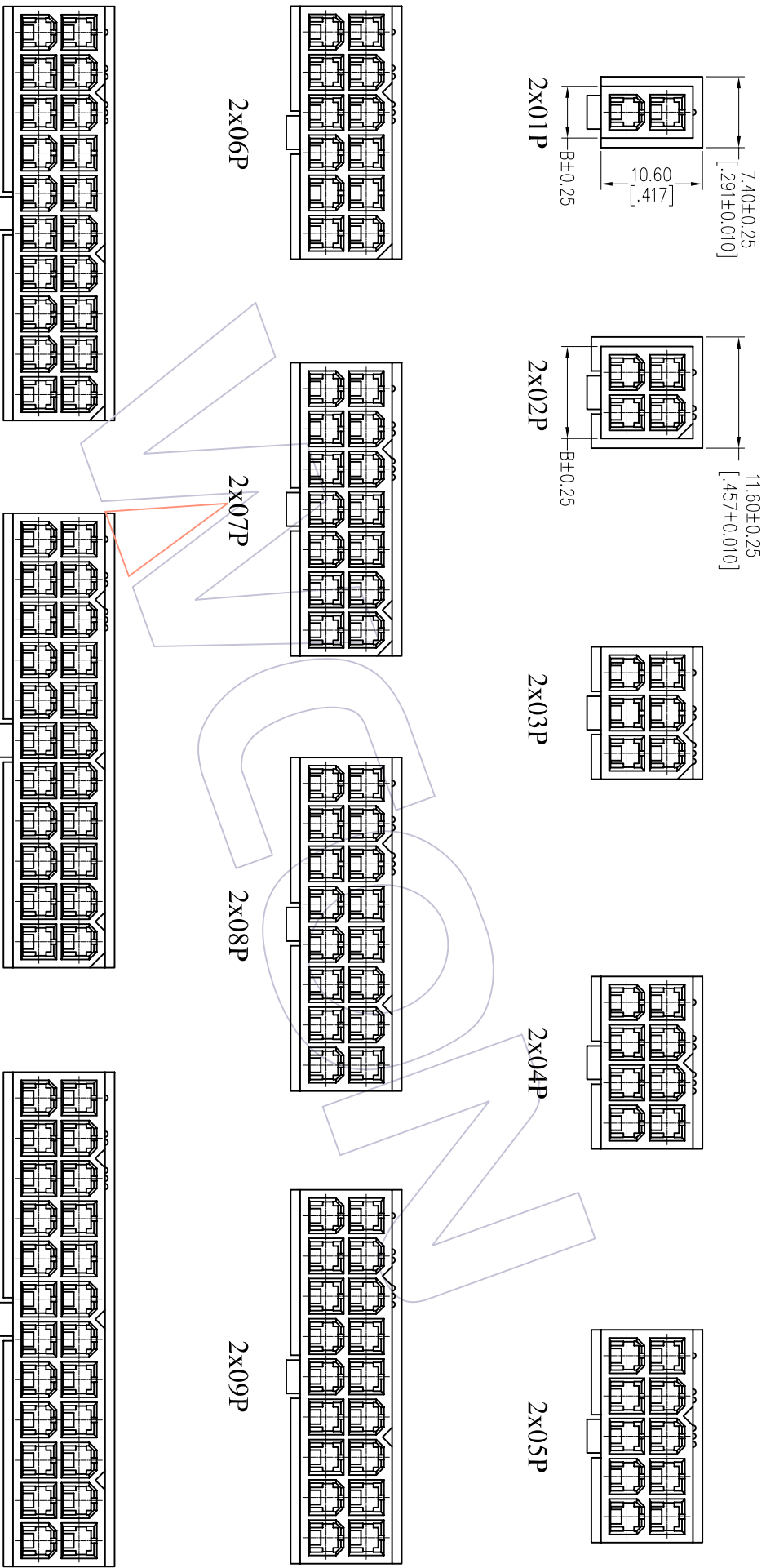
No. of Pins per 01~12
 Color W=White
 Packing 0=PE Bag

Dimensional & Ordering Information

Circuit	Part No.	Dimension	
		A	B
2x01	WF4202-2HK01W02	---	5.40
2x02	WF4202-2HK02W02	4.20	9.60
2x03	WF4202-2HK03W02	8.40	13.80
2x04	WF4202-2HK04W02	12.60	18.00
2x05	WF4202-2HK05W02	16.80	22.20
2x06	WF4202-2HK06W02	21.00	26.40
2x07	WF4202-2HK07W02	25.20	30.60
2x08	WF4202-2HK08W02	29.40	34.80
2x09	WF4202-2HK09W02	33.60	39.00
2x10	WF4202-2HK10W02	37.80	43.20
2x11	WF4202-2HK11W02	42.00	47.40
2x12	WF4202-2HK12W02	46.20	51.60

REV		DATE	MODIFICATION DESCRIPTION	CHANGE	OPERATION	DRAW	DATE	SCALE	FIT	PART NO.	 Http: www.wcon.com WCON-Dongguan Tel: +86 769 85358920 WCON-Kunshan Tel: +86 512 57468408 Fax: +86 769 85358915 E-mail: sales@wcon.com
AO	2012/09/17		NEW		X.X	JYHuang	2012/09/17	UNIT	mm	SEE TAB	
					X.XX	CHECK	DATE	SIZE	A4	TITLE:	
					X.XXX	APPROVE	DATE	SHEET	1/2	4.20mm Mini Fit Housing Dual Row Female	
					Angle			PROJ.	1/2	Customer NO.	
					DIM						

HSF



		OPERATION		DRAW		PART NO.			
		XX ±0.40		JYHuang		WF4202-2HKXXW02			
		XXX ±0.25		CHECK		TITLE:		WCON Http: www.wcon.com WCON-Dongguan Tel: +86 769 85358920 Fax: +86 769 85358915 E-mail: sales@wcon.com WCON-Kunshan Tel: +86 512 57468408 Fax: +86 512 57468468 E-mail: sales@wcon.com	
		X.XXX ±0.15		DATE		4.20mm Mini Fit Housing			
REV		DATE		APPROVE		Customer NO.			
AO		2012/09/17		DATE					
REV		DATE		APPROVE					
MODIFICATION DESCRIPTION		CHANGE		DATE					
NEW		Angle ± 3'		DATE					
		DIM TOL		PROJ.					
				SCALE		FIT			
				UNIT		mm			
				SIZE		A4			
				SHEET		2/2			

1 2 3 4 5 6 7 8 9 10

A B C D E F G H