

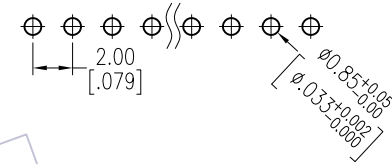
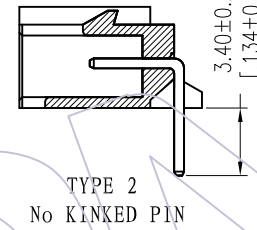
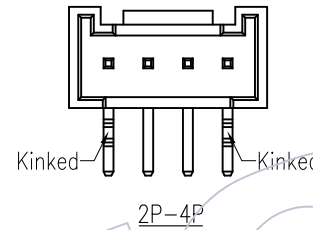
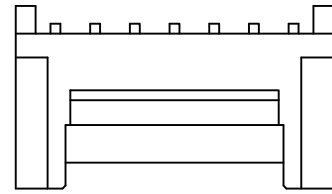
HSF

NOTES:
 Rated Current:2.0AMP
 Rated Voltage:125V AC/DC
 Contact Resistance:20mΩ max
 Withstand Voltage:250V AC/DC
 Insulation Resistance:500MΩ min
 Operation Temperature:-25°C to +85°C

Contact Material:Brass
 Contact plating:Au Or Sn Over Ni
 Insulator Material:PA6T+30%G.F UL94V-0



Recommended P.C.B Layout(Top Side)
 (PCB BOARD TOLERANCE±0.05)



TYPE 1	WF2005-WRXXXT1
TYPE 2	WF2005-WRXXXT2

Specification & Ordering Information:

Ordering Information

WF2005 - WR XX X T X

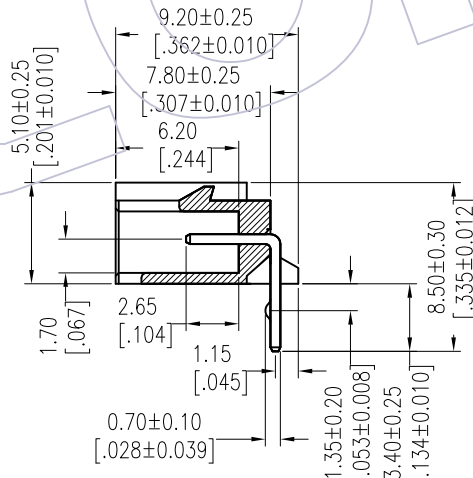
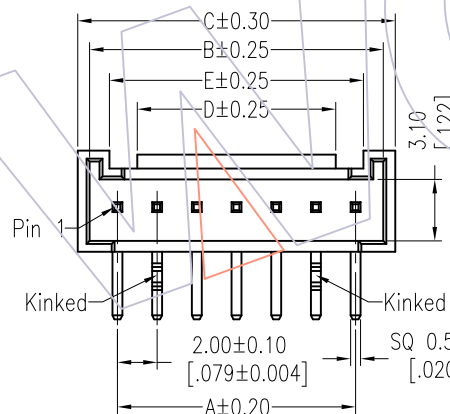
No. of pins
02-16P

Contact Plating
S0=Gold Flash/Tin
S3=10u"Gold/Tin
S4=15u"Gold/Tin
S5=30u"Gold/Tin
G0=Gold Flash
G3=10u"Gold
G4=15u"Gold
G5=30u"Gold
Blank=Tin

Color
B=Black
E=Beige
W=White

Series No.
1=Type 1
2=Type 2

Packing
T=Tube



Circuit	Part No.	Dimension				
		A	B	C	D	E
02	WF2005-WR02XTX	2.0	4.8	6.0	3.2	3.2
03	WF2005-WR03XTX	4.0	6.8	8.0	2.0	4.8
04	WF2005-WR04XTX	6.0	8.8	10.0	4.0	6.8
05	WF2005-WR05XTX	8.0	10.8	12.0	6.0	8.8
06	WF2005-WR06XTX	10.0	12.8	14.0	8.0	10.8
07	WF2005-WR07XTX	12.0	14.8	16.0	10.0	12.8
08	WF2005-WR08XTX	14.0	16.8	18.0	12.0	14.8
09	WF2005-WR09XTX	16.0	18.8	20.0	14.0	16.8
10	WF2005-WR10XTX	18.0	20.8	22.0	16.0	18.8
11	WF2005-WR11XTX	20.0	22.8	24.0	18.0	20.8
12	WF2005-WR12XTX	22.0	24.8	26.0	20.0	22.8
13	WF2005-WR13XTX	24.0	26.8	28.0	22.0	24.8
14	WF2005-WR14XTX	26.0	28.8	30.0	24.0	26.8
15	WF2005-WR15XTX	28.0	30.8	32.0	26.0	28.8
16	WF2005-WR16XTX	30.0	32.8	34.0	28.0	30.8

TYPE 1
KINKED PIN

REV	DATE	MODIFICATION DESCRIPTION	CHANGE	OPERATION		DRAW	DATE	SCALE	FIT	PART NO.	TITLE:	WCON	
				X.X	±0.40							JYHuang	2014/03/13
A1	2014/03/13	Modify The Material:PA9T--PA6T		X.XX	±0.25	CHECK	DATE	SIZE	A4	SEE TAB	2.00 WAFER 90° DIP	WCON-Dongguan	WCON-Kunshan
A0	2012/09/05	NEW		X.XXX	±0.15		DATE	SHEET	1/1			Tel: +86 769 85358920	Tel: +86 512 57468408
				Angle	± 3'	APPROVE	DATE	PROJ.		Customer NO.		Fax: +86 769 85358915	Fax: +86 512 57468468
				DIM	TOL							E-mail: sales@wcon.com	E-mail: sales@wcon.com