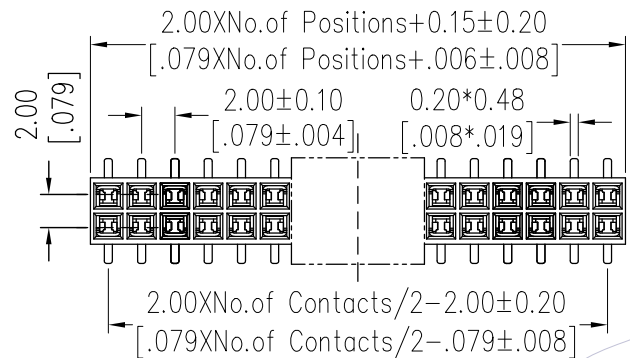


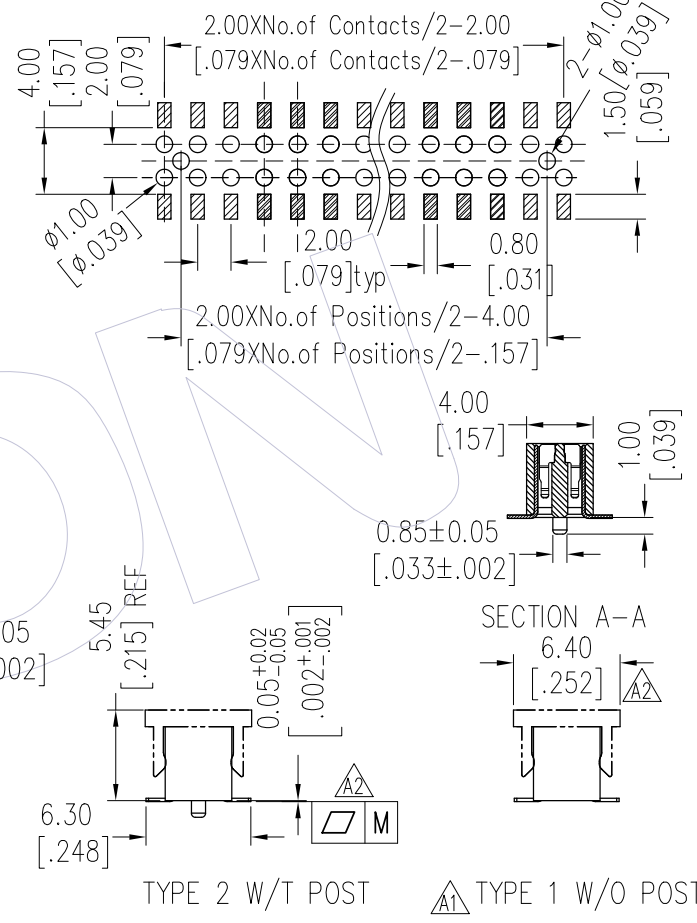
HSF

NOTES:
 Current Rating: 2.0AMP
 Contact Resistance: 20mΩ Max
 Withstand Voltage: 500V AC/DC
 Insulation Resistance: 1000MΩ Min
 Operation Temperature: -40°C to +125°C(Au)
 -40°C to +105°C(Sn)

Contact Material: Phosphor Bronze
 Contact plating: Au Or Sn over Ni
 Insulator Material: LCP+30%GF UL94V-0



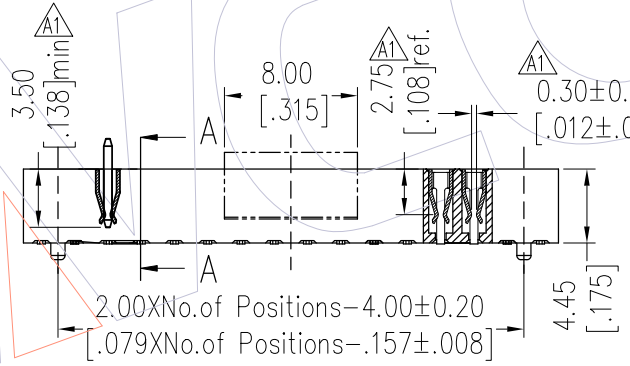
Recommended P.C.B Layout (Top Side)
 (PCB BOARD TOLERANCE ±0.05)



Ordering Information

2245T - 2 XX M XX DUN X X

- No. of Pins per ROW: 02-40PIN
- Contact Plating: G0=Gold Flash, G3=10μ"Gold, G4=15μ"Gold, G5=30μ"Gold, S0=Gold Flash/Tin, S3=10μ"Gold/Tin, S4=15μ"Gold/Tin, S5=30μ"Gold/Tin, SN=Tin, SM=Matte Tin
- Packing: T=Tube, P=Tube+CAP, R=Tape&Reel+CAP
- TYPE: 1=Type 1, 2=Type 2



Item	Pitch	Mating
Standard	2.00	1215/1220
Alternate		

PIN	2-15P	16-25P	26-40P
M	0.10	0.15	0.18

TITLE	PART NO.
TYPE 1	2245T-2XXMXXDUNX1
TYPE 2	2245T-2XXMXXDUNX2

REV	DATE	MODIFICATION DESCRIPTION	CHANGE	OPERATION	DRAW	DATE	SCALE	FIT	PART NO.
A2	2019/11/11	Modify Drawing	A2	X.X ±0.40	Surong Xu	2019/11/11	UNIT mm		2245T-2XXMXXDUNXX A1
A1	2018/04/03	ADD TYPE 1; ADD DIM.	A1	X.XX ±0.25	CHECK	DATE	SIZE A4		TITLE: FH2.00 Dual Row Top Enter H=4.45
A0	2012/07/17	NEW	-----	X.XXX ±0.15	APPROVE	DATE	SHEET 1/1		Customer NO.
				Angle ± 3°			PROJ.		
				DIM TOL					

WCON
 Http: www.wcon.com

WCON-Dongguan
 Tel: +86 769 85358920
 Fax: +86 769 85358915
 E-mail: sales@wcon.com

WCON-Kunshan
 Tel: +86 512 57468408
 Fax: +86 512 57468468
 E-mail: salesks@wcon.com