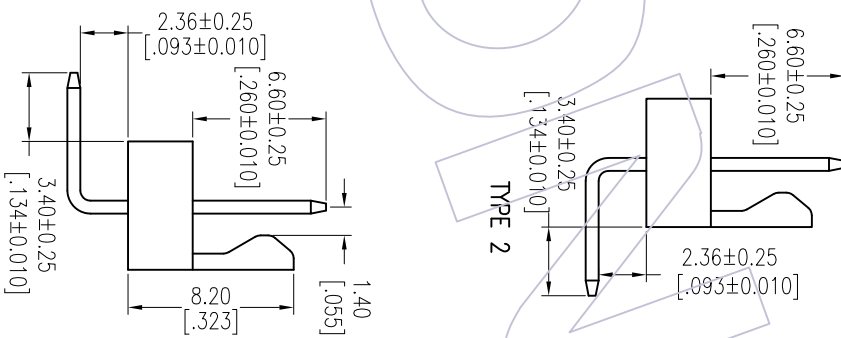
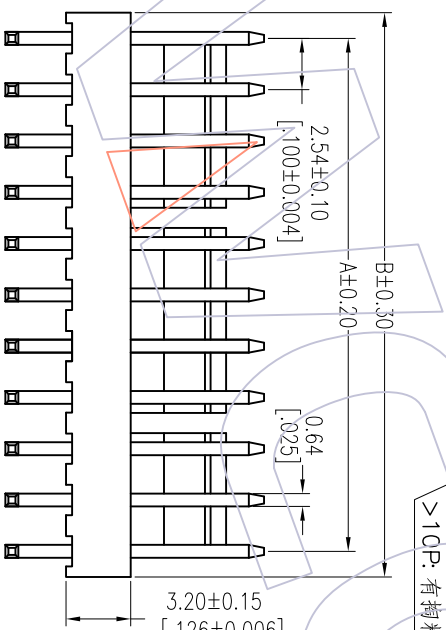
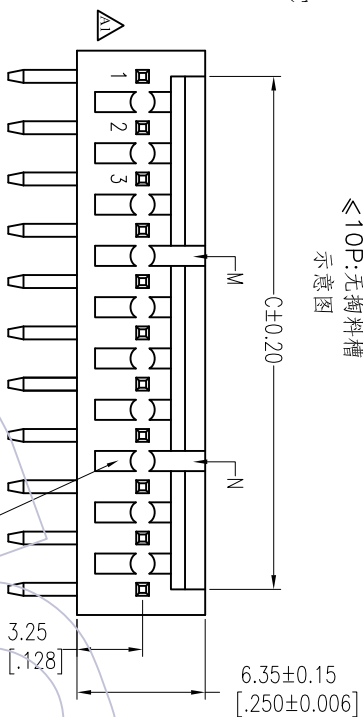
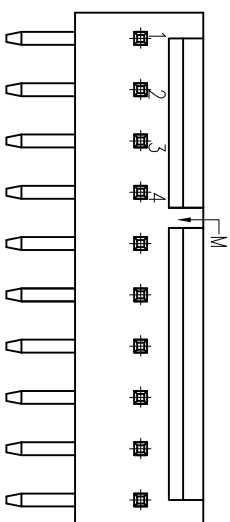


HSF

NOTES:

Rated Current:3.0AMP
 Contact Resistance:20mΩ Max.
 Withstand Voltage:1000V AC/DC
 Insulation Resistance:1000MΩ Min.
 Operation Temperature:-25℃ to +85℃

Contact Material:Brass
 Contact Plating:Au or Sn Over Ni
 Insulator Material:
 PA66/PA46 UL94V-0/2



Ordering Information

WF2546-WR XX XX W 0 X

No. of Pins: 02-20Pin
 Contact Plating: SP=Gold Flash/Tin W=White
 Color: S3=10u'Gold/Tin S4=15u'Gold/Tin S5=30u'Gold/Tin
 Packing: 0=PE Bag 1=Type 1 2=Type 2
 Series No.: H=PA46 G0=Gold Flash G3=10u'Gold G4=15u'Gold G5=30u'Gold
 Blank=PA66 Blank=Tin

Circuit	Slot M	Slot N	Dimension			QTY/ bag
			A	B	C	
2~5P	None	None				
6~10P		None				
11~14P	Between Circuit1,5P		Between Circuit1,8,9P			
15~18P	Between Circuit4,5P		Between Circuit12,13P			
19~20P	Between Circuit16,17P					

Dimensional & Ordering Information

Circuit	Part No.	Dimension			QTY/ bag
		A	B	C	
02	WF2546-WR02XXX	2.54	5.08	2.54	1,000
03	WF2546-WR03XXX	5.08	7.62	5.08	1,000
04	WF2546-WR04XXX	7.62	10.16	7.62	1,000
05	WF2546-WR05XXX	10.16	12.70	10.16	500
06	WF2546-WR06XXX	12.70	15.24	12.70	500
07	WF2546-WR07XXX	15.24	17.78	15.24	500
08	WF2546-WR08XXX	17.78	20.32	17.78	500
09	WF2546-WR09XXX	20.32	22.86	20.32	400
10	WF2546-WR10XXX	22.86	25.40	22.86	400
11	WF2546-WR11XXX	25.40	27.94	25.40	300
12	WF2546-WR12XXX	27.94	30.48	27.94	300
13	WF2546-WR13XXX	30.48	33.02	30.48	300
14	WF2546-WR14XXX	33.02	35.56	33.02	300
15	WF2546-WR15XXX	35.56	38.10	35.56	200
16	WF2546-WR16XXX	38.10	40.64	38.10	200
17	WF2546-WR17XXX	40.64	43.18	40.64	200
18	WF2546-WR18XXX	43.18	45.72	43.18	200
19	WF2546-WR19XXX	45.72	48.26	45.72	200
20	WF2546-WR20XXX	48.26	50.80	48.26	200

WCON

WCON-Dongguan Tel: +86 769 85358920
 WCON-Kunshan Tel: +86 512 57468408
 Http: www.wcon.com
 Fax: +86 769 85358915
 Fax: +86 512 57468468
 E-mail: sales@wcon.com
 E-mail: salesks@wcon.com

REV	DATE	MODIFICATION DESCRIPTION	CHANGE	OPERATION	DRAW	DATE	SCALE	FIT	PART NO.
A1	2014/07/02	Modify The View		XX	JYHuang	2014/07/02	mm	A4	SEE TAB
AO	2012/09/08	NEW		XXX	CHECK		mm	A4	"M" TYPE 2.54 WAFER 90°
				XXX	CHECK				Customer NO.