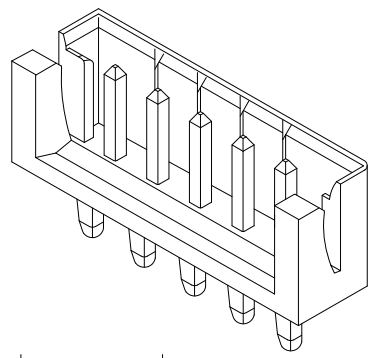
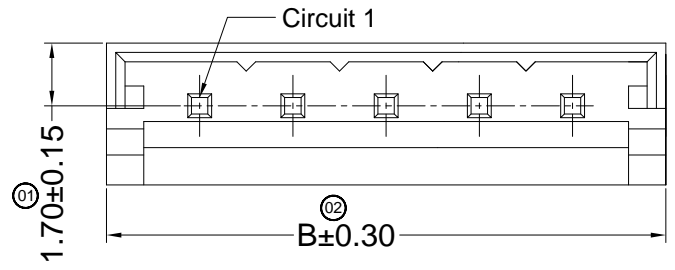


1 2 3 4 5 6 7 8

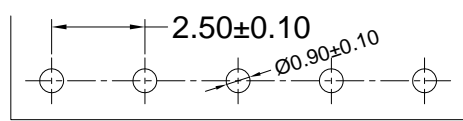
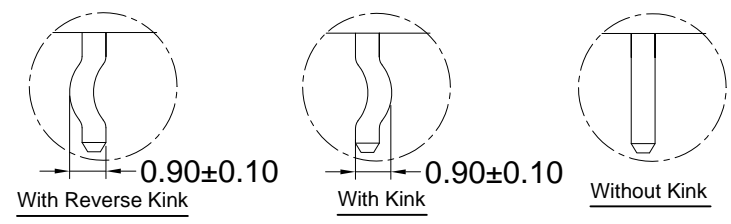
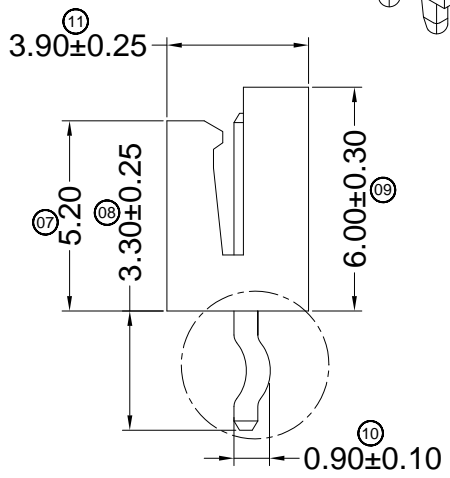
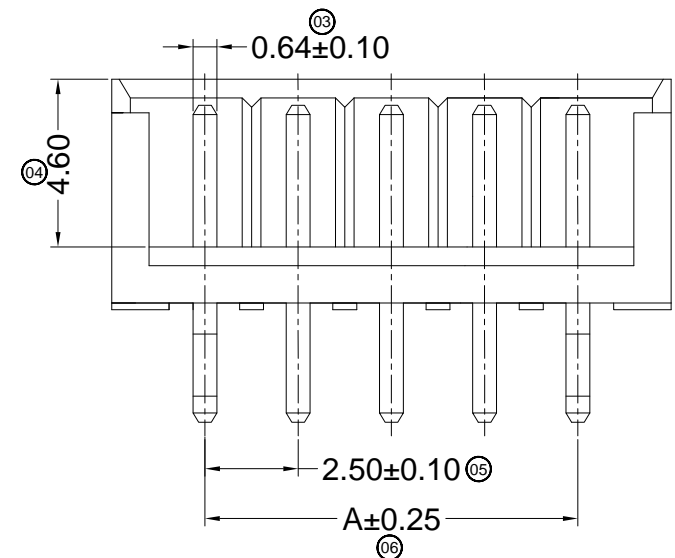
A B C D E F

A B C D E F



**Specifications :**

- Voltage rating: 250V AC / DC
- Current rating: 3A AC / DC
- Withstanding voltage: 800V AC/minute
- Temperature range: -25°C~+85°C
- Insulation resistance: ≥1000MΩ
- Contact resistance: ≤10mΩ
- After environmental testing: ≤20mΩ



**Recommend PCB Layout**

X2581 W V X- XX X-N0 SN XX

- ① Series No.
- ② Category: W-Wafer
- ③ Welding Board Angle: V-180° ; R-90°
- ④ Welding Way: Blank-DIP ; S-SMT
- ⑤ Row No.-Pin No.: XX-Single Row ; 2\*XX-Double Row
- ⑥ Plug the Pin & Special No. : Blank-With Kink  
A-Without Kink ; B-With Reverse Kink
- ⑦ Material: N0 -PA66 94V-0
- ⑧ Plating Category: G\*\*-Gold Plated Contact  
V\*\*- All Gold-Plated  
01-Gold Flash 02-2u" 03-3u"  
05-5u" 10-10u" 15-15u"  
SN-Bright Tin Plating (70u")  
SN1-Bright Tin Plating (120u" Min).  
0-No Plating Material  
SW- Fog Tin Plating  
HS-Hight temperature Tin
- ⑨ Color : Blank-Natural Color

Poles	Dimensions (mm)	
	A	B
02	2.50	7.50
03	5.00	10.00
04	7.50	12.50
05	10.00	15.00
06	12.50	17.50
07	15.00	20.00
08	17.50	22.50
09	20.00	25.00
10	22.50	27.50
11	25.00	30.00
12	27.50	32.50
13	30.00	35.00
14	32.50	37.50
15	35.00	40.00

X2581WV-XXX-N0SN	Nylon 66 UL 94V-0	Brass	Tin-Plated	X2581H
PART NO	Material	Material(Pin)	Finish(Pin)	Mates With XKB Housing

For and on behalf of  
**XKB INDUSTRIAL PRECISION CO., LIMITED**  
 香港星坤工業精密有限公司

△ X					ANGULAR	± 5°
△ X					L ≤ 4	± 0.2
△ X					4 < L ≤ 16	± 0.3
△ X					16 < L ≤ 63	± 0.4
MARK	DESCRIPTION	DATE	REVISED	APPROVED	L > 63	± 0.5
REVISIONS					UNSPECIFIED TOLERANCES	

DSND		DATE		SCALE: N/A	MODEL TYPE: X2581WV-XXX-N0SN	
DWN		DATE		VIEW:	PART NO.: 2.50 mm Crimp Style connectors	
CHKD		DATE		UNIT: mm	DWG NO.:	
APPD		DATE		SIZE: A4		
				WEIGHT	SHEET	REVISION
				1.0g	1/1	A0

1 2 3 4 5 6 7 8

Authorized Signature(s)

**XKB INDUSTRIAL PRECISION CO., LIMITED**