

**SPECIFICATIONS**

- 1.Voltage rating: 250V AC, DC
- 2.Current rating: 7A, AC, DC
- 3.Withstanding Voltage: 1500V AC/minute
- 4.Insulation resistance:1000M min
- 5.Temperature range: -25 ° C~ +85 ° C
- 6.Contact resistance: 10m max

WAFER

Housing Material: Nylon UL 94V-0 (2)

Pin Material: Phosphor Bronze or Brass

Contact Area Plating: Plated Tin or Plated Gold

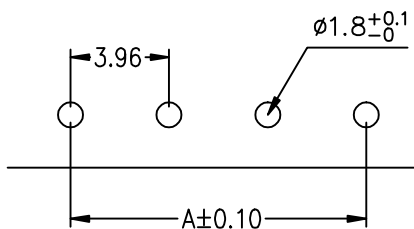
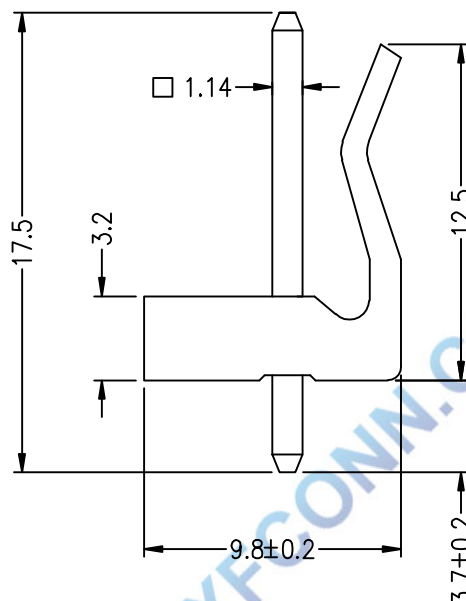
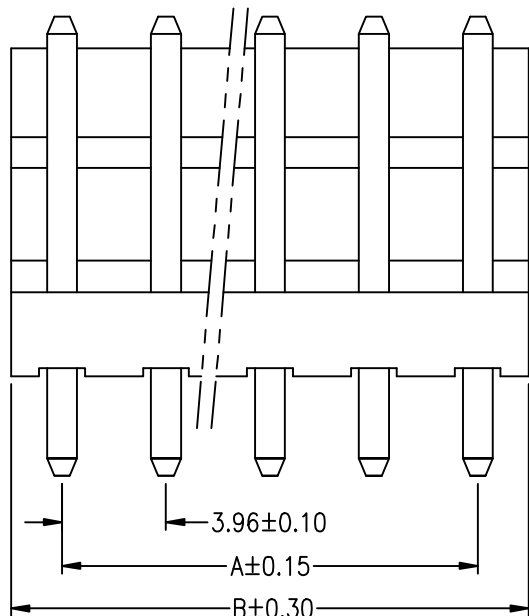
Mates with :P3961 series Housing or M3963 series headers

Poles:02-16P

Part No.: M3961V-xx-N2

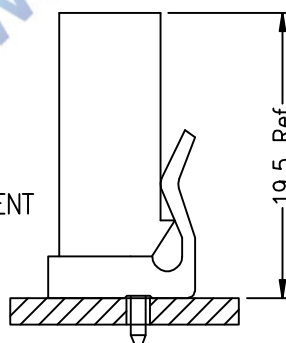
Pin位数

Poles	A	B
2	3.96	7.92
3	7.92	11.88
4	11.88	15.84
5	15.84	19.80
6	19.80	23.76
7	23.76	27.72
8	27.72	31.68
9	31.68	35.64
10	35.64	39.60
11	39.60	43.56
12	43.56	47.52
13	47.52	51.48
14	51.48	55.44
15	55.44	59.40
16	59.40	63.36



PCB 寸法  
PCB LAYOUT

安装尺寸  
MOUNTING MEASUREMENT



WWW.XFCN.COM

				TOLERANCE UNLESS OTHERWISE		DRAWN	CK tan	<b>XFCN兴飞连接器有限公司</b> CONNECTORS XFCN CONNECTORS CO., LTD.		SHEET	1/1
				X.	±0.30	X°	±5°			CHKD	DATE
				.X	±0.20	.X°	±2°	APPD	PRODUCT NAME	3.96mm Crimp Style Connectors	
				.XX	±0.08	.XX°	±1°	VIEW	PART. NO.	M3961V-xx-N2	
				.XXX	±0.03	.XXX°	±0.5°			DWG NO.	009
A0 VER	MODIFICATION		DRAW	DATE							