

CONNECTORS

Operation: 16PIN-SMT 横插式 / 一体加强结构 & 2.0 Type-C 连接器

TDI 认证



LTEM NO.: MC-311D-3C

(L7.35mm × W8.94mm × H3.20mm CONNECTORS)



Technical parameter

表面 SMT+DIP

PROJECT	LEVEL	A[better product]	B[average product]
	Contact Rating	5.0A, 12V DC	
Electrical Properties	Initial Contact Resistance	30mΩ max.	50mΩ max.
	Insulation Resistance	100MΩ min.500V DC	Skey/PD: 100MΩ min.300V DC
	Withstand Voltage	500V AC for 1 minute	350 V AC for 1 minut
Durable Performance	There No Load	10,000 Cycles	8,000 Cycles
	Rated Load	8,500 Cycles	6,500 Cycles
	Storage temp.	-35℃~+75℃(Operating Temp:)	

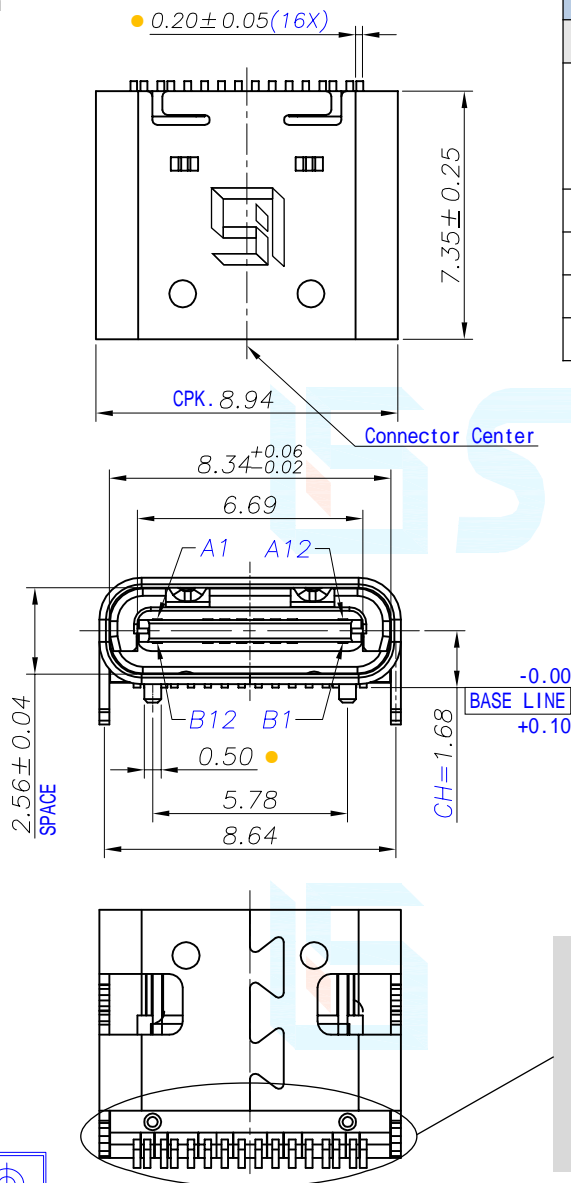
側向導入 LATERAL

精密部品 NICETY

可靠 STABILIZE

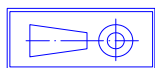
適合環保 RoHS

Unit:mm



Material declaration

No.	NAME	MATERIAL	DESCRIPTION
① A	TERMINAL 接触端子	COPPER ALLOY 【G/F】	2.0 μ m Ni PLATED OVERALL; 0.25 μ m Au PLATED CONTACT AREA; GOLD FLASH ON SOLDER AREA.
② B	HOUSING 基座	THERMOPLASTIC	UL 94V-0,COLOR:BLACK;
③ C	SHIELDING PLATE 屏蔽壳	STAINLESS STEE	【G/F】 0.25 μ m Ni PLATED OVERALL;
④ D	SHELL 外壳	STAINLESS STEE	【G/F】 0.25 μ m Ni PLATED OVERALL;
⑤ E	GND RING 接地件	STAINLESS STEE	STAINLESS STEEL;



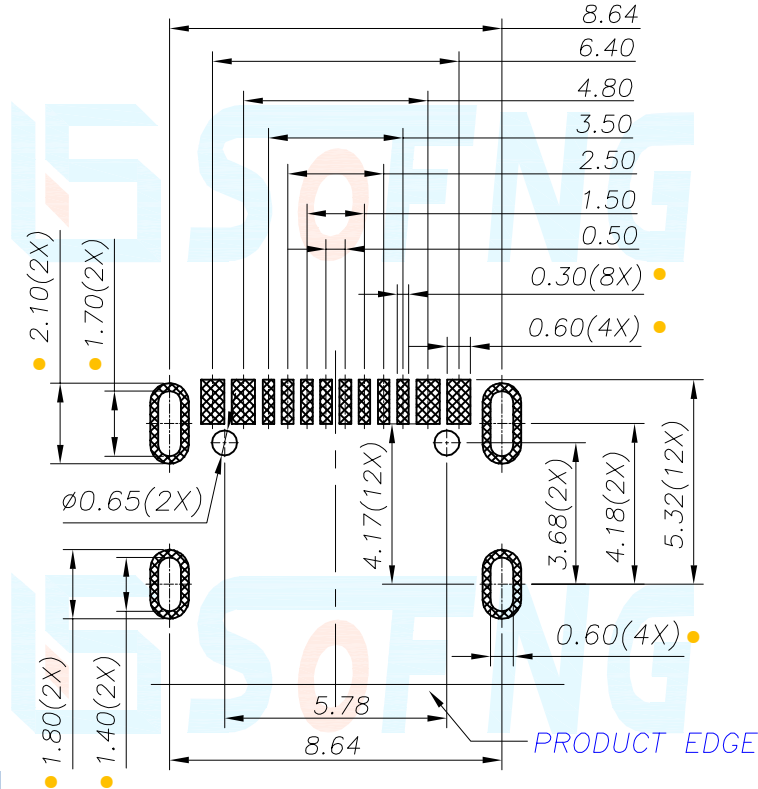
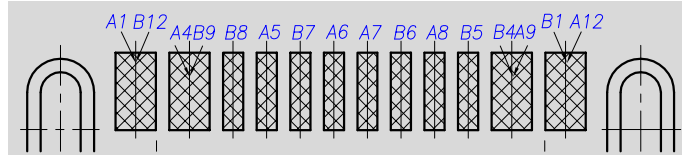
Operating Force

Inward
Exiting

5.0~8.0N. (1N.=100gram-force)
5.0~8.0N. (1N.=100gram-force)

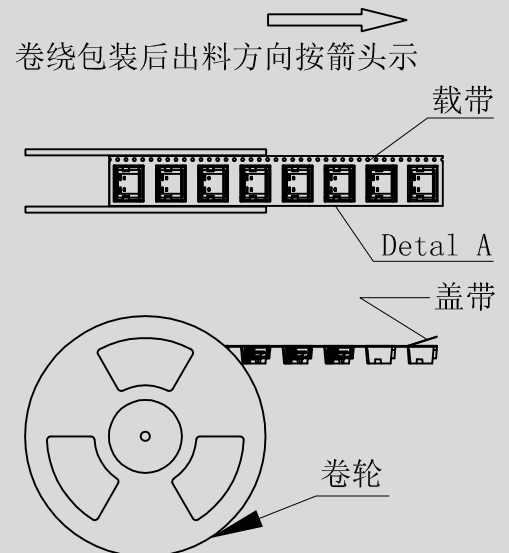
Solder-ability (Max.)

IR Reflow: 255°C, 5sec. Manual: 350°C, 3sec.



Pin Definition

PIN	Signal NAME	Description	PIN	Signal NAME	Description
A1	GND	Ground return	B12	GND	Ground return
A4	V BUS	Bus Power	B9	V BUS	Bus Power
A5	CC1	Configuration Channel	B8	SBU2	Sideband Use (SBU)
A6	Dp1	Positive half of the USB 2.0 differential pair-Position 1	B7	Dn2	Negative half of the USB 2.0 differential pair-Position 2
A7	Dn1	Negative half of the USB 2.0 differential pair-Position 1	B6	Dp2	Positive half of the USB 2.0 differential pair-Position 2
A8	SBU1	Sideband Use (SBU)	B5	CC2	Configuration Channel
A9	V BUS	Bus Power	B4	V BUS	Bus Power
A12	GND	Ground return	B1	GND	Ground return



DECIMALS	ANGLES
.X :±0.25	X.° :±1.5°
.XX :±0.15	XX.° :±1.0°
.XXX :±0.10	.XXX° :±0.5°

注記 NOTICE

1. 碩方公司擁有最終解釋權; The company reserves the right of final interpretation;
2. 文件禁止外洩、轉載; Leaked and reproduced prohibited;
3. 未經授權修改無效。Modify is invalid.