

SPECIFICATIONS

- 1.Voltage rating: 125V AC, DC
- 2.Current rating: 1A, AC, DC
- 3.Withstanding Voltage: 500V AC/minute
- 4.Insulation resistance:100M min
- 5.Temperature range: -25 ° C-+85 ° C
- 6.Contact resistance: 20m max

Housing Material: PA9T UL 94V0

Pin Material: Phosphor Bronze or Brass

Contact Area Plating: Plated Tin or Plated Gold

Mates with :P1007B series Housing

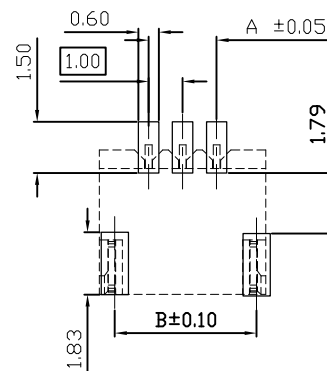
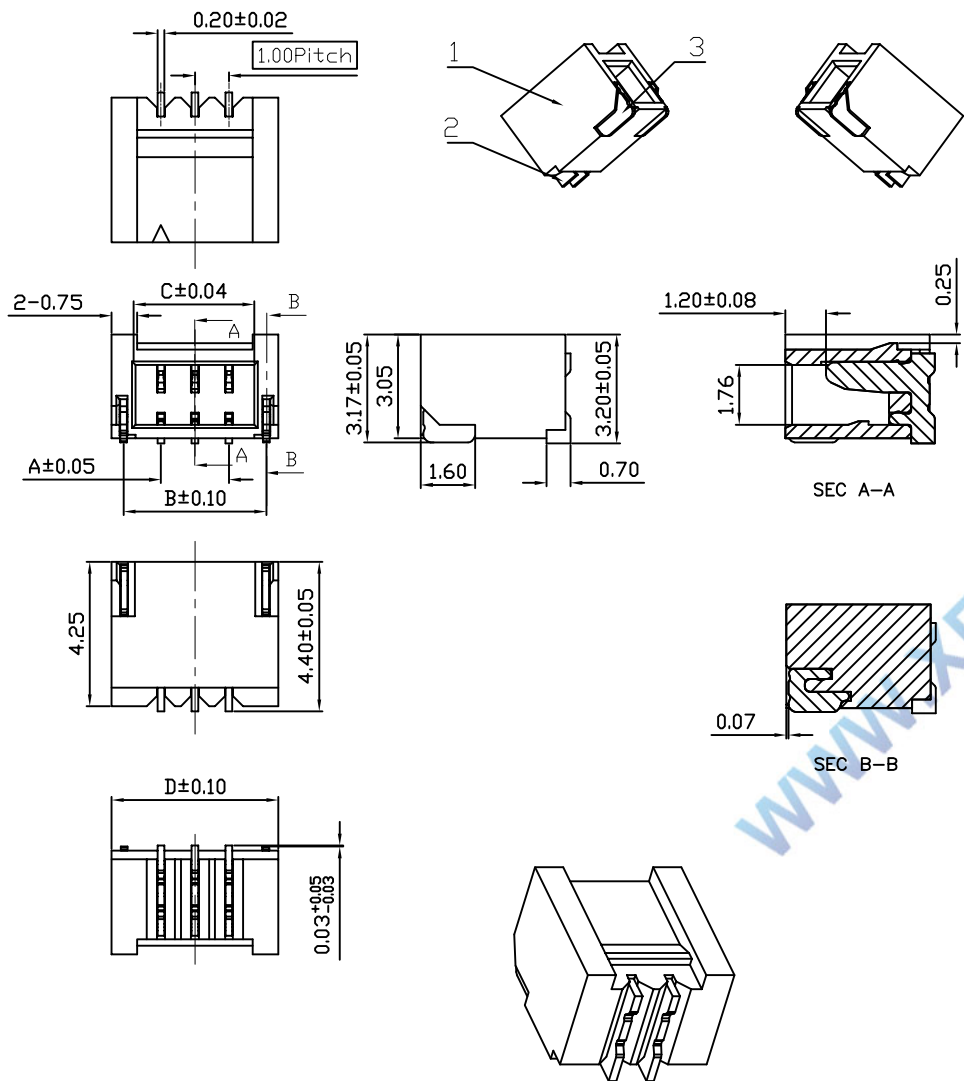
Poles:02-30P

Part No.: M1007BRS-xx-9T-R

R=卷装 无=管装
Pin位数

TABLE :

N	A	B	C	D
2	1.00	3.20	2.50	3.90
3	2.00	4.20	3.50	4.90
4	3.00	5.20	4.50	5.90
5	4.00	6.20	5.50	6.90
6	5.00	7.20	6.50	7.90
7	6.00	8.20	7.50	8.90
8	7.00	9.20	8.50	9.90
9	8.00	10.20	9.50	10.90
10	9.00	11.20	10.50	11.90
11	10.00	12.20	11.50	12.90
12	11.00	13.20	12.50	13.90
13	12.00	14.20	13.50	14.90
14	13.00	15.20	14.50	15.90
15	14.00	16.20	15.50	16.90
16	15.00	17.20	16.50	17.90
17	16.00	18.20	17.50	18.90
18	17.00	19.20	18.50	19.90
19	18.00	20.20	19.50	20.90
20	19.00	21.20	20.50	21.90
21	20.00	22.20	21.50	22.90
22	21.00	23.20	22.50	23.90
23	22.00	24.20	23.50	24.90
24	23.00	25.20	24.50	25.90
25	24.00	26.20	25.50	26.90
26	25.00	27.20	26.50	27.90
27	26.00	28.20	27.50	28.90
28	27.00	29.20	28.50	29.90
29	28.00	30.20	29.50	30.90
30	29.00	31.20	30.50	31.90



WWW.XFCNN.COM

				TOLERANCE UNLESS OTHERWISE		DRAWN	CK tan	XFCN兴飞连接器有限公司 CONNECTORS XFCN CONNECTORS CO., LTD.		SHEET	1/1
				X.	± 0.30	X°	$\pm 5^\circ$			CHKD	DATE
				.X	± 0.20	.X°	$\pm 2^\circ$	APPD	PRODUCT NAME	1.00mm Crimp Style Connectors	
				.XX	± 0.08	.XX°	$\pm 1^\circ$	VIEW	PART. NO.	M1007BRS-xx-9T	
				.XXX	± 0.03	.XXX°	$\pm 0.5^\circ$			UNITS	mm
AO	MODIFICATION			DRAW	DATE					SCALE	1:1
VER										DWG NO.	009