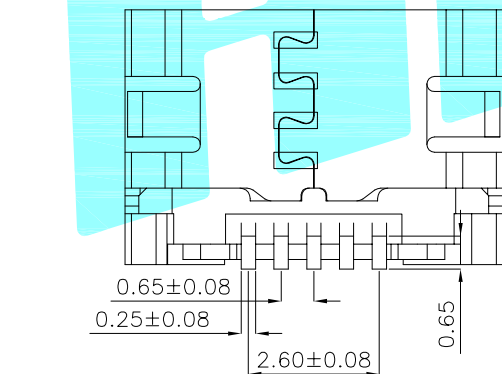
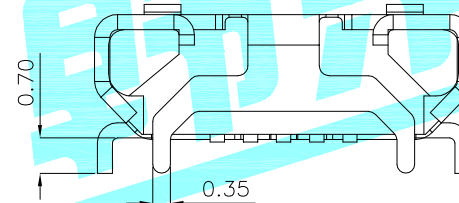
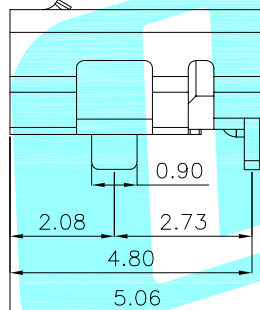
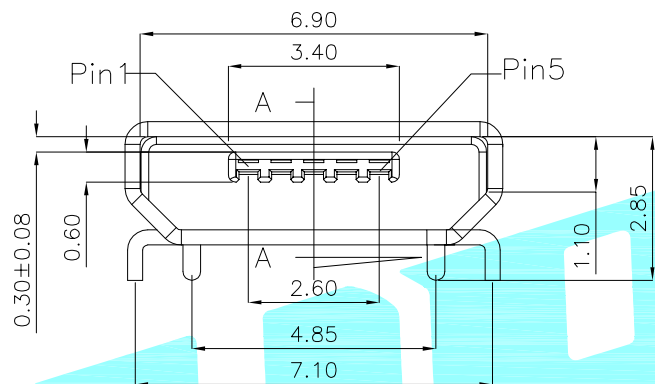




Recommended PCB Layout



SPECIFICATIONS

- 1 额定电流: 1,5PIN 1.8A 最大 / 2,3,4PIN 1A 最大.
- 2 耐电压: 100 V(交流) for 1 分钟.
- 3 接触阻抗: 30 毫欧 最大.
- 4 绝缘阻抗: 100 兆欧 最小.
- 5 插入里: 3.57 Kgf 最大.
- 6 拔出力: 1.0 Kgf 最小.

③	Shell	—	1	Phosphor Bronze/SUS	Sn Plated	—
②	Contact	—	5	Phosphor Bronze	Au Plated	—
①	Housing	—	1	LCP	Black	—
ITEM	PART NAME	TER'NO.	QTY.	MATERIAL	FINISHING	REMARK

APPROVALS		DATE		 ELECTRONICS CO.,LTD				
DRAWN	JKUN.LU	2018/8/1						
CHECKED				TITLE: USB CONNECTOR				
APPROVALS				PART NO. U-F-M5DD-W-C				
TOLERANCES ARE			30~以上	±0.30	ANGLE	UNIT: mm		
			10~30	±0.25				
			5~10	±0.20				
			~ 5	±0.15				
		±2'		SCALE: 1:1		PROJ: 		
ECN NO.	REV.	DATE.	DESCRIPTION.	CHANGE.	CHECK.	APPRO.	DRAWING NO.	SHEET 1 OF 1

—	A	—	NEW	—	—	—
ECN NO.	REV.	DATE.	DESCRIPTION.	CHANGE.	CHECK.	APPRO.