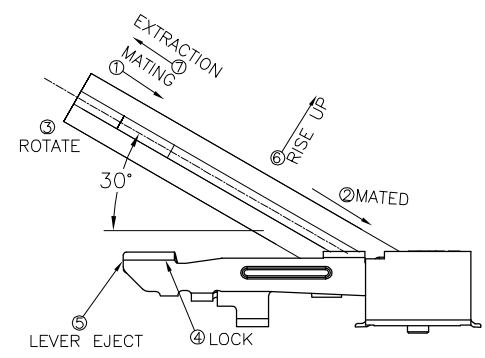
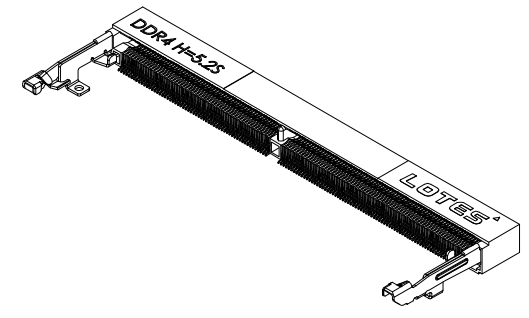
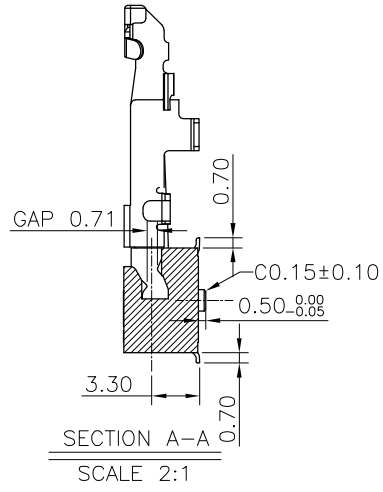
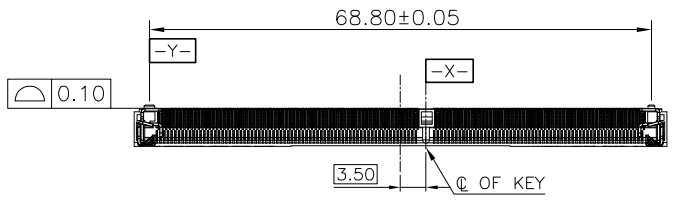
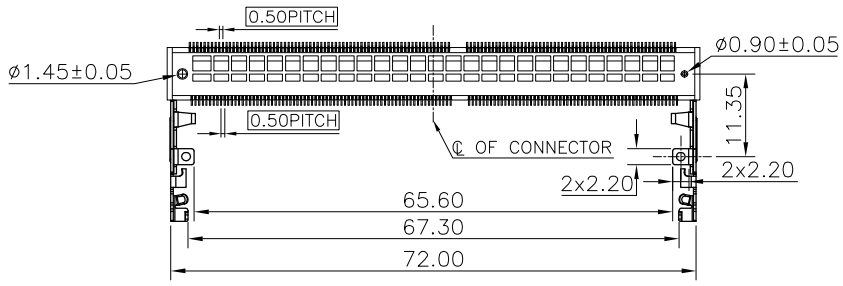
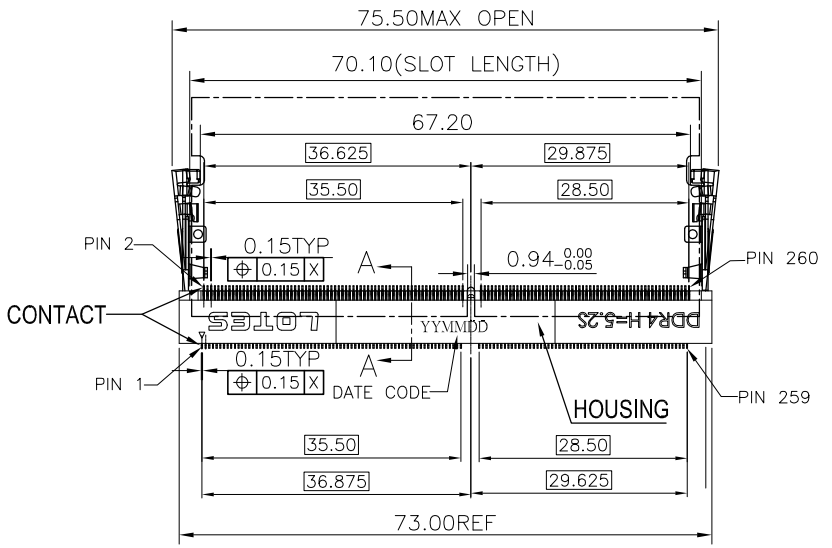
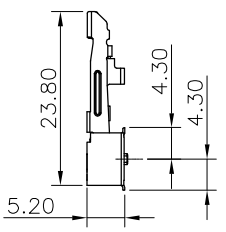


REV.	ECR/N NO./DESCRIPTION	DATE	DRAWN	CHECKED	APPROVE
D	RD140**	08/12'15	XU	Vito	Barney
E	RD140**	09/09'15	XU	Vito	Barney
F	RD140**	12/23'15	XU	Vito	Barney



HOW TO MATE AND UNMATE
 MATE: ① → ④
 UNMATE: ⑤ → ②
 SCALE 2:1



GENERAL TOLERANCES UNLESS SPECIFIED		PART NO. SEE TABLE	LOTES			
X ± 0.35	X° ± 3°					
.XX ± 0.25	X° ± 2°	APPROVED BY Barney	TITLE SODDR4 5.2H 260 PIN STD TYPE			
.XXX ± 0.15	.XX° ± 1°	CHECKED BY Vito	DWG NO. AP-ADDR0207			
CUSTOMER DRAWING		DRAWN BY XU		SHEET 1 / 5	SCALE 1 : 1	REV F
SIZE A4	UNITS MM [INCH]					

NOTES:

1.MATERIALS:

HOUSING: LCP,UL 94V-0.

CONTACT: BRASS C2680.

LATCH: STAINLESS STEEL SUS301.

2.FINISH:

1)CONTACT:UNDERPLATED NICKEL (DETAL SEE TABLE)
GOLD PLATED ON SOLDER AREA.
GOLD PLATED ON CONTACT AREA.(DETAL SEE TABLE)

2)LATCH:UNDERPLATED NICKEL 50~150u'',MATTE TIN 80u'' MIN.

3.ELECTRICAL PERFORMANCE

LLCR INITIAL 50mΩ MAX PER CONTACT.

FINAL ΔLLCR=20mΩ MAX

4.MECHANICAL PERFORMANCE,

MATING & UNMATING FORCE: 6.1 Kgf MAX.

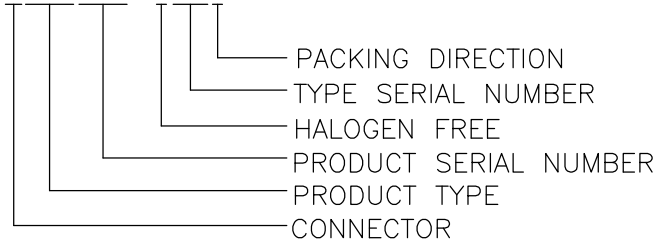
5.IR REFLOW:

THE PEAK TEMPRATURE ON THE BOARD SHALL BE MAINTAINED FOR 10 SECONDS AT 260±5°C.

6. DC: XXXXXX



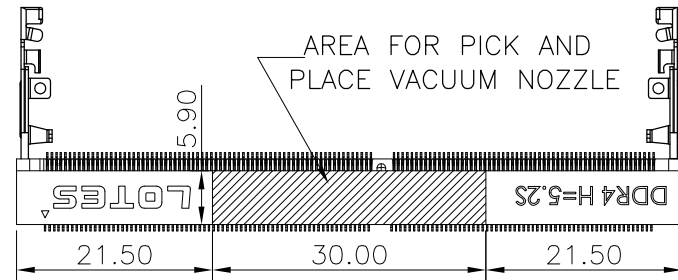
7.PRODUCT NUMBER NOTE:ADDR****-****



8.RoHS COMPLIANT.
HF COMPLIANT.

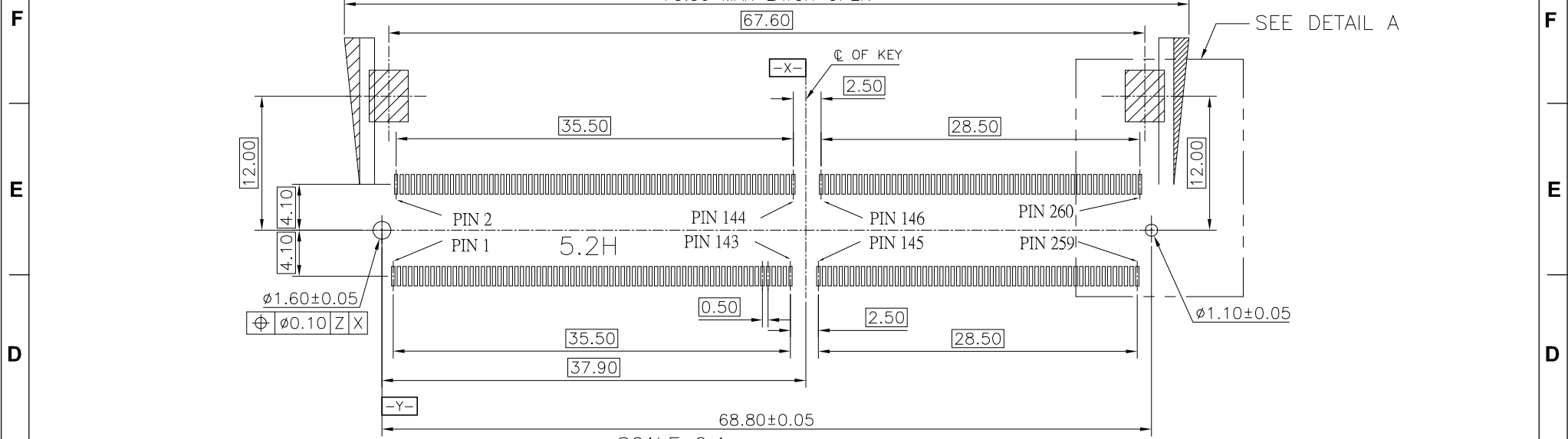
TABLE:

NO.	PART NO.	COLOR	AU DESCRIPTION	NICKEL DESCRIPTION	
1	ADDR0207-P001A	BLACK	GOLD G/F ON CONTACT AREA	50u" MIN NICKEL UNDER PLATED	
			GOLD G/F ON SOLDER AREA		
2	ADDR0207-P002A	BLACK	GOLD 10u" ON CONTACT AREA		
			GOLD G/F ON SOLDER AREA		
3	ADDR0207-P003A	BLACK	GOLD 15u" ON CONTACT AREA		
			GOLD G/F ON SOLDER AREA		
4	ADDR0207-P004A	BLACK	GOLD 30u" ON CONTACT AREA		
			GOLD G/F ON SOLDER AREA		
5	ADDR0207-P016A	BLACK	GOLD 15u" ON CONTACT AREA		90u" MIN NICKEL UNDER PLATED
			GOLD G/F ON SOLDER AREA		

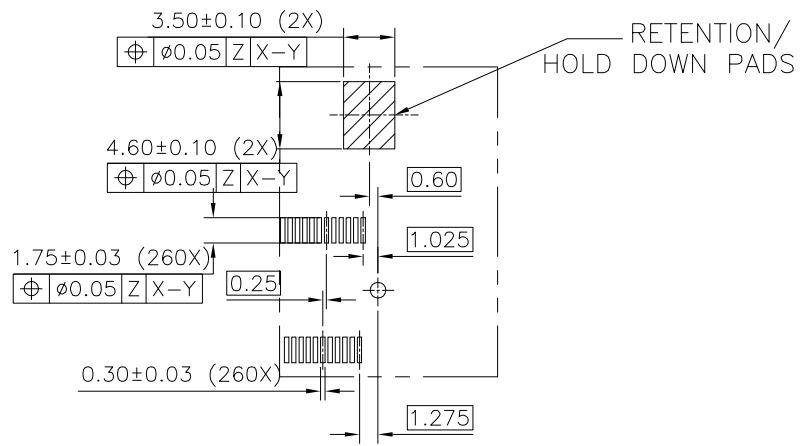


GENERAL TOLERANCES UNLESS SPECIFIED		PART NO. SEE TABLE	LOTES		
X ± 0.35	X° ± 3°				
.XX ± 0.25	X° ± 2°	APPROVED BY Barney	TITLE SODDR4 5.2H 260 PIN STD TYPE		
.XXX ± 0.15	.XX° ± 1°	CHECKED BY Vito	DWG NO. AP-ADDR0207		
CUSTOMER DRAWING		DRAWN BY XU	SHEET 2 / 5	SCALE 5 : 4	REV F
SIZE A4	UNITS MM [INCH]				

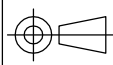
1 2 3 4 5 6 7 8



SCALE 2:1
 TOP VIEW
 RECOMMEND PCB LAYOUT (STANDARD)
 THE TOLERANCES UNLESS SPECIFIED IS ±0.05MM



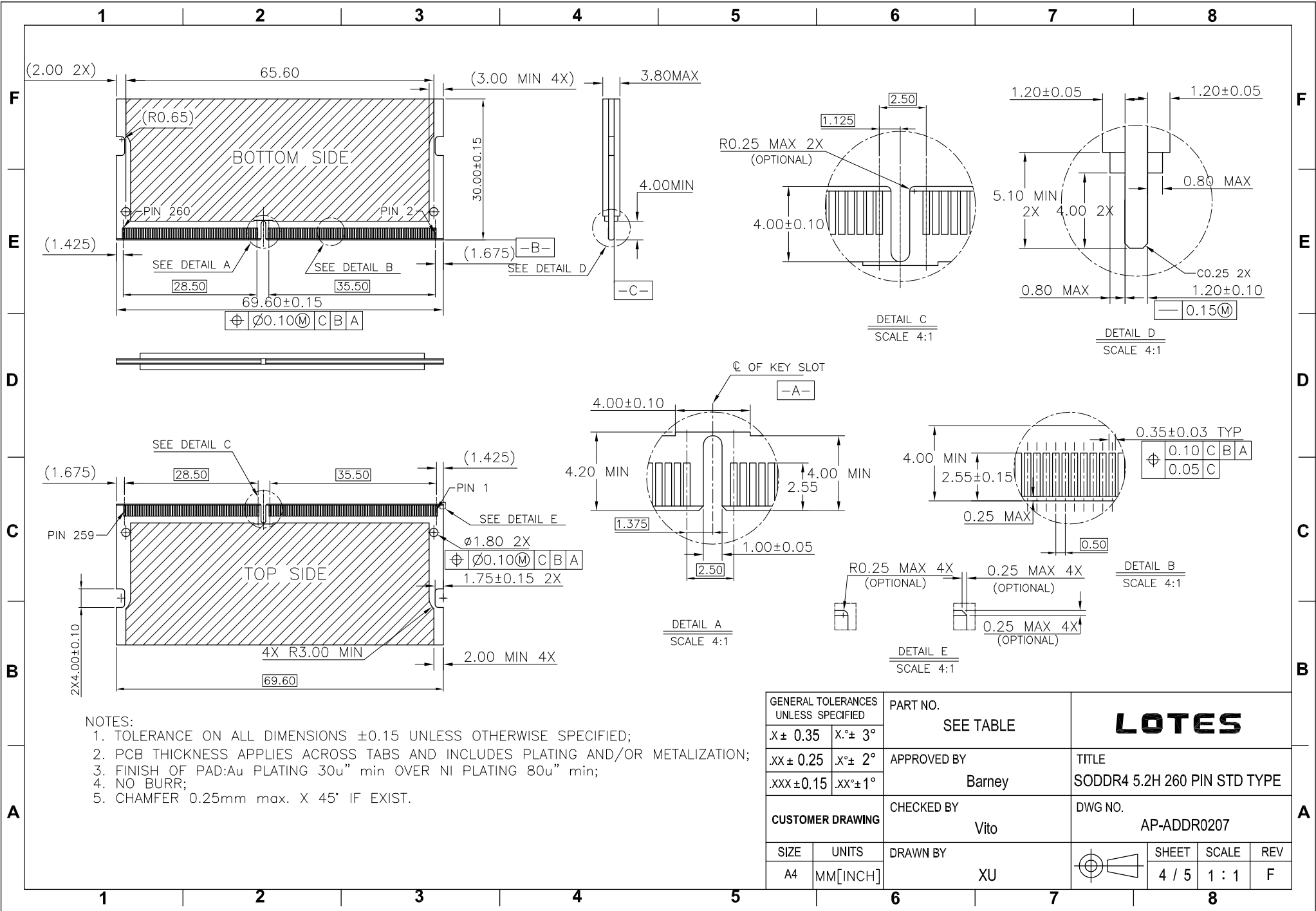
DETAIL A

GENERAL TOLERANCES UNLESS SPECIFIED		PART NO. SEE TABLE	LOTES			
X ± 0.35	X° ± 3°					
.XX ± 0.25	X° ± 2°	APPROVED BY Barney	TITLE SODDR4 5.2H 260 PIN STD TYPE			
.XXX ± 0.15	.XX° ± 1°	CHECKED BY Vito	DWG NO. AP-ADDR0207			
CUSTOMER DRAWING		DRAWN BY XU		SHEET	SCALE	REV
SIZE A4	UNITS MM [INCH]			3 / 5	1 : 1	F

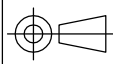
1 2 3 4 5 6 7 8

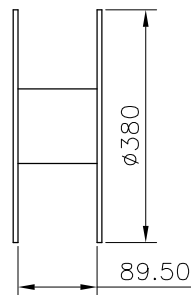
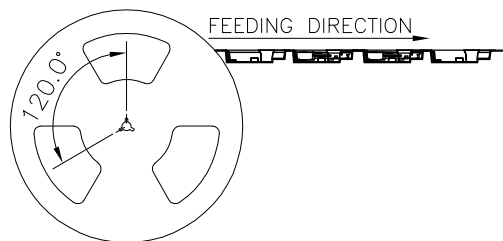
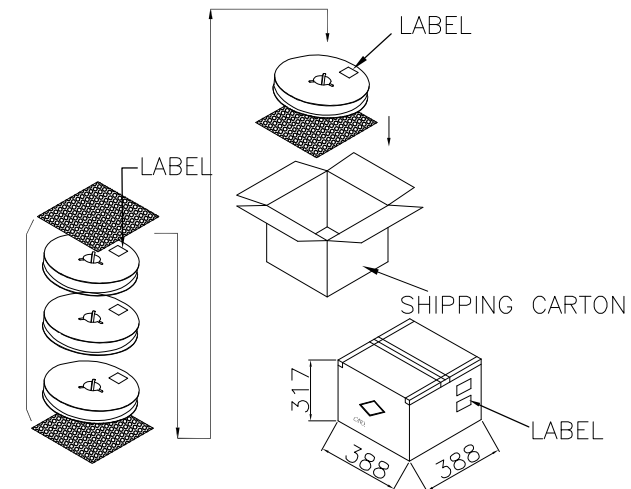
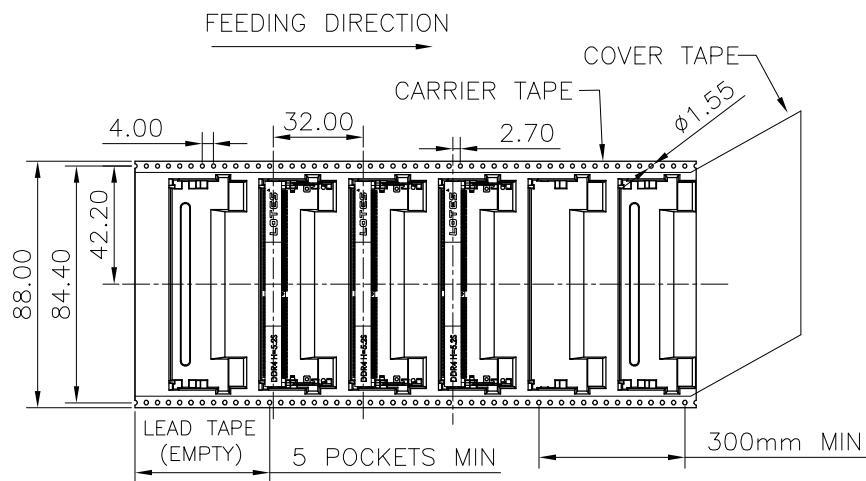
F
E
D
C
B
A

F
E
D
C
B
A



- NOTES:
1. TOLERANCE ON ALL DIMENSIONS ± 0.15 UNLESS OTHERWISE SPECIFIED;
 2. PCB THICKNESS APPLIES ACROSS TABS AND INCLUDES PLATING AND/OR METALIZATION;
 3. FINISH OF PAD: Au PLATING 30u" min OVER NI PLATING 80u" min;
 4. NO BURR;
 5. CHAMFER 0.25mm max. X 45° IF EXIST.

GENERAL TOLERANCES UNLESS SPECIFIED		PART NO. SEE TABLE	LOTES			
$X \pm 0.35$	$X^\circ \pm 3^\circ$					
$.XX \pm 0.25$	$X^\circ \pm 2^\circ$	APPROVED BY Barney	TITLE SODDR4 5.2H 260 PIN STD TYPE			
$.XXX \pm 0.15$	$.XX^\circ \pm 1^\circ$	CHECKED BY Vito	DWG NO. AP-ADDR0207			
CUSTOMER DRAWING		DRAWN BY XU		SHEET	SCALE	REV
SIZE A4	UNITS MM [INCH]			4 / 5	1 : 1	F



NOTES:

1. MATERIAL :
 - 1.1 CARRY TAPE: PS
 - 1.2 COVER TAPE: PET
 - 1.3 SHIPPING CARTON: CORRUGATED FIBER
2. DIMENSION :
 - 2.1 REEL: W=88.0, $\phi A=380$
 - 2.2 SHIPPING CARTON: L=388, W=388, H=317 (INNER)
3. QUANTITY :
 - 3.1 PRIMARY PACKING: 300 PCS/REEL
 - 3.2 SECONDARY PACKING: 3 REELS/CARTON(900PCS)
4. PEELING RESISTANCE: 20gf~120gf.
5. PEELING SPEED: 300mm/minutes.

GENERAL TOLERANCES UNLESS SPECIFIED		PART NO. SEE TABLE	LOTES			
X ± 0.35	X° ± 3°					
.XX ± 0.25	X° ± 2°	APPROVED BY Barney	TITLE SODDR4 5.2H 260 PIN STD TYPE			
.XXX ± 0.15	.XX° ± 1°	CHECKED BY Vito	DWG NO. AP-ADDR0207			
CUSTOMER DRAWING		DRAWN BY XU		SHEET	SCALE	REV
SIZE A4	UNITS MM[INCH]			5 / 5	N/A	F