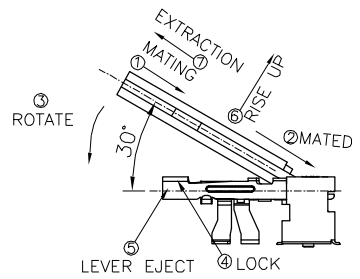
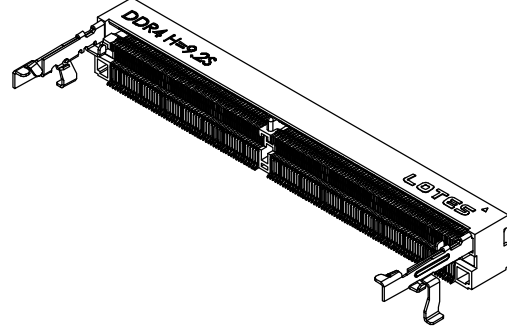
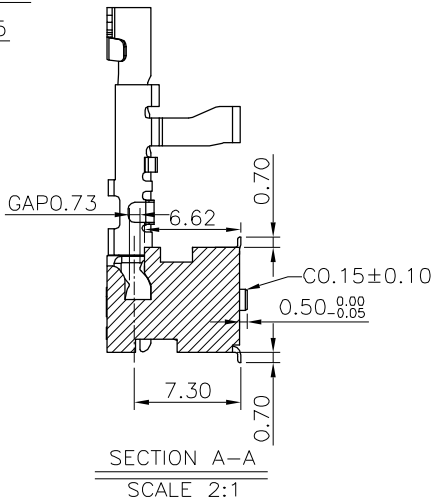
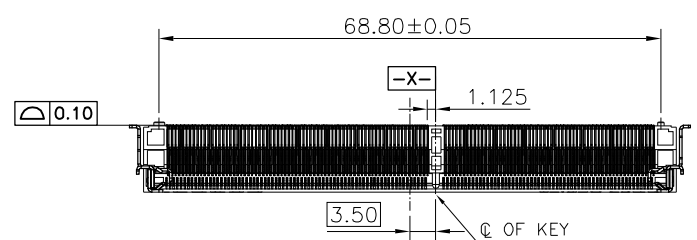
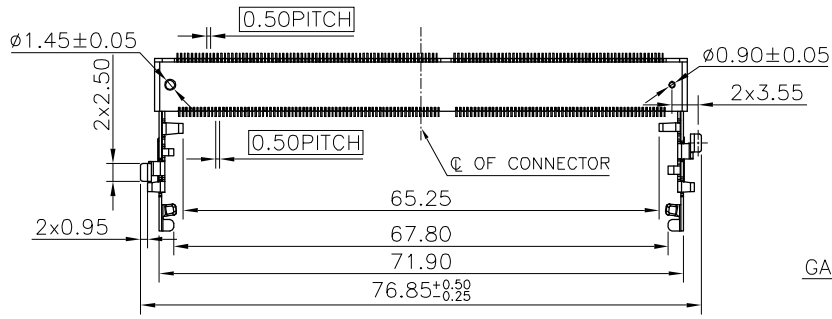
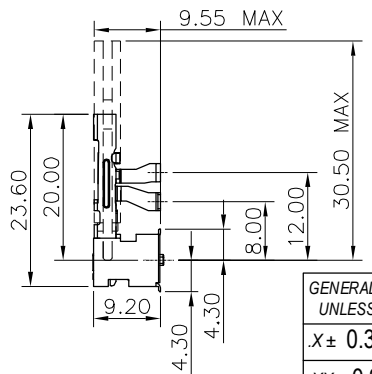
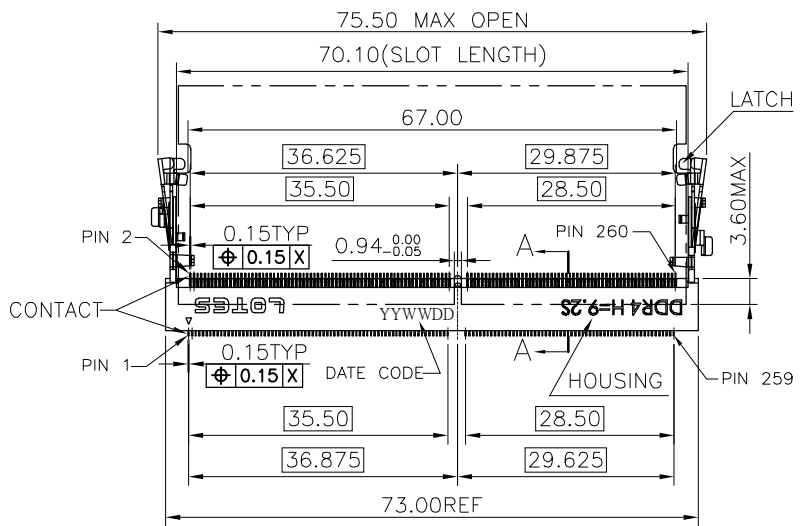


REV.	ECR/N NO./DESCRIPTION	DATE	DRAWN	CHECKED	APPROVE
1A	SN160**	09/02'16	XU	Vito	Ford
1B	SN160**	11/17'16	HBQ	Vito	Ford
1C	SN160**	01/09'17	HBQ	Vito	Ford



HOW TO MATE AND UNMATE
 MATE: ① → ④
 UNMATE: ⑤ → ②



GENERAL TOLERANCES UNLESS SPECIFIED	
X ± 0.35	X° ± 3°
.XX ± 0.25	X° ± 2°
.XXX ± 0.15	.XX° ± 1°
CUSTOMER DRAWING	
SIZE	UNITS
A4	MM [INCH]

PART NO.	SEE TABLE
APPROVED BY	Barney
CHECKED BY	Vito
DRAWN BY	XU

LOTES			
TITLE SODDR4 9.2H 260 PIN STD TYPE			
DWG NO. AP-ADDR0110			
	SHEET	SCALE	REV
	1 / 5	1 : 1	1C

- NOTES:
 1.MATERIALS:
 HOUSING: LCP,UL 94V-0.
 CONTACT: BRASS C2680.
 LATCH: STAINLESS STEEL SUS301.
 2.FINISH:
 1)CONTACT:UNDERPLATED NICKEL :SEE TABLE
 PLATING ON SOLDER AREA:SEE TABLE
 GOLD PLATING ON CONTACT AREA:SEE TABLE
 2)LATCH:UNDERPLATED NICKEL 50~150u",MATTE TIN 80u" MIN.

- 3.ELECTRICAL PERFORMANCE
 LLCR INITIAL 50mΩ MAX PER CONTACT.
 FINAL ΔLLCR=20mΩ MAX

- 4.MECHANICAL PERFORMANCE,
 MATING & UNMATING FORCE: 6.1 Kgf MAX.

- 5.IR REFLOW:
 THE PEAK TEMPRATURE ON THE BOARD SHALL BE
 MAINTAINED FOR 10 SECONDS AT 260±5°C.

6. DC: XXXXXX
 DATE
 WEEK
 YEAR

- 7.PRODUCT NUMBER NOTE:ADDR****-****
 PACKING DIRECTION
 TYPE SERIAL NUMBER
 HALOGEN FREE
 PRODUCT SERIAL NUMBER
 PRODUCT TYPE
 CONNECTOR

- 8.RoHS COMPLIANT.
 HF COMPLIANT.

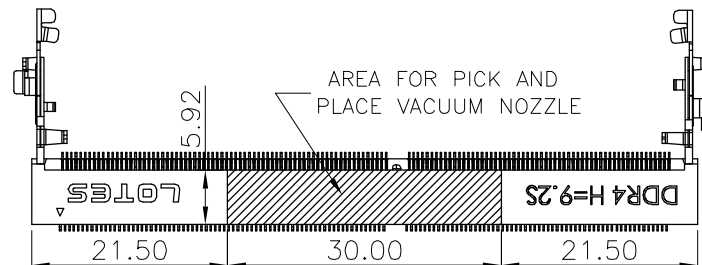
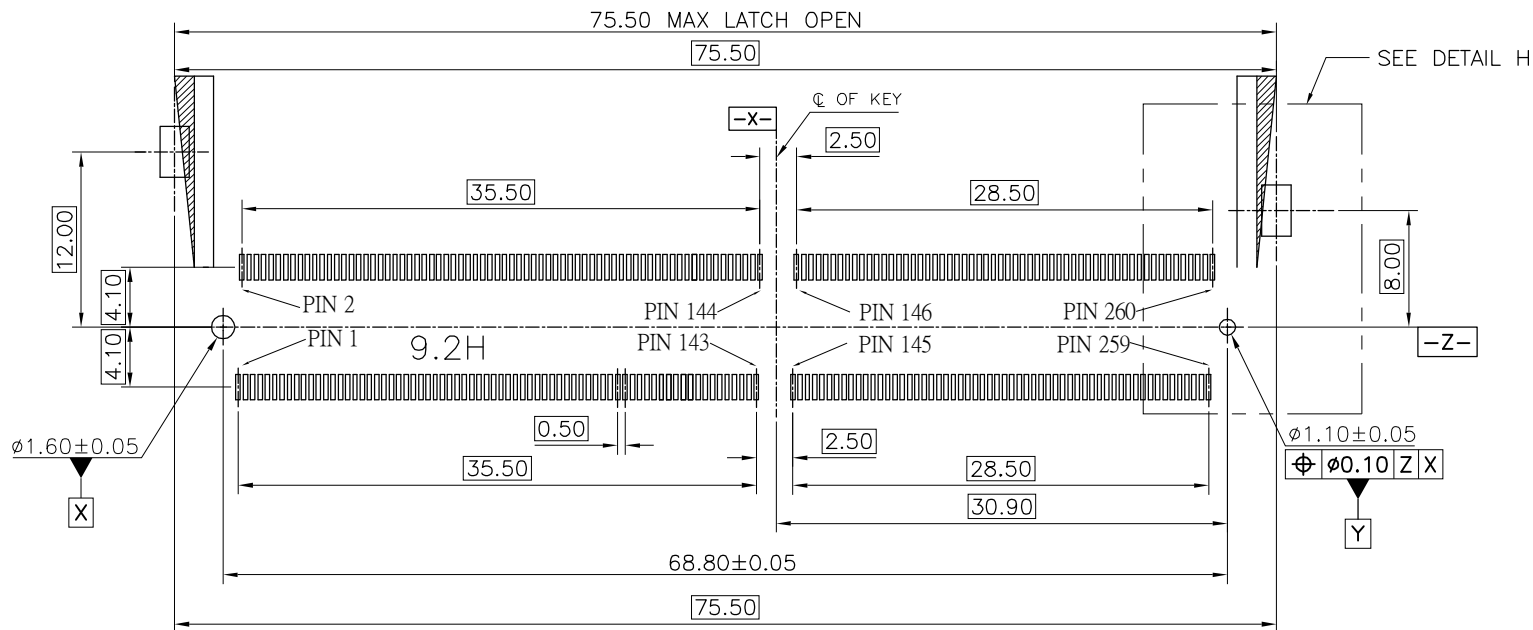


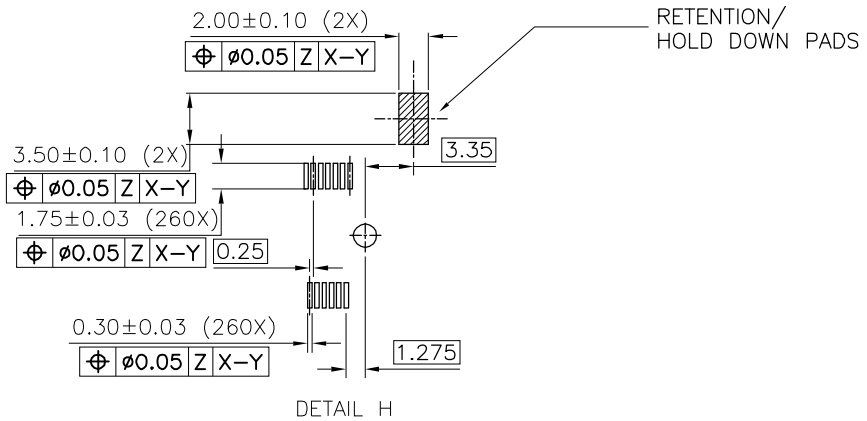
TABLE:

NO.	PART NO.	COLOR	AU DESCRIPTION	NICKEL DESCRIPTION
1	ADDR0110-P005A	BLACK	GOLD G/F ON CONTACT AREA GOLD G/F ON SOLDER AREA	50u" MIN NICKEL UNDER PLATED
2	ADDR0110-P006A	BLACK	GOLD 10u" ON CONTACT AREA GOLD G/F ON SOLDER AREA	
3	ADDR0110-P007A	BLACK	GOLD 15u" ON CONTACT AREA GOLD G/F ON SOLDER AREA	
4	ADDR0110-P008A	BLACK	GOLD 30u" ON CONTACT AREA GOLD G/F ON SOLDER AREA	
5	ADDR0110-P009A	BLACK	GOLD 15u" ON CONTACT AREA GOLD G/F ON SOLDER AREA	90u" MIN NICKEL UNDER PLATED
6	ADDR0110-P010A	WHITE	GOLD G/F ON CONTACT AREA GOLD G/F ON SOLDER AREA	50u" MIN NICKEL UNDER PLATED
7	ADDR0110-P011A	WHITE	GOLD 10u" ON CONTACT AREA GOLD G/F ON SOLDER AREA	
8	ADDR0110-P012A	WHITE	GOLD 15u" ON CONTACT AREA GOLD G/F ON SOLDER AREA	
9	ADDR0110-P013A	WHITE	GOLD 30u" ON CONTACT AREA GOLD G/F ON SOLDER AREA	

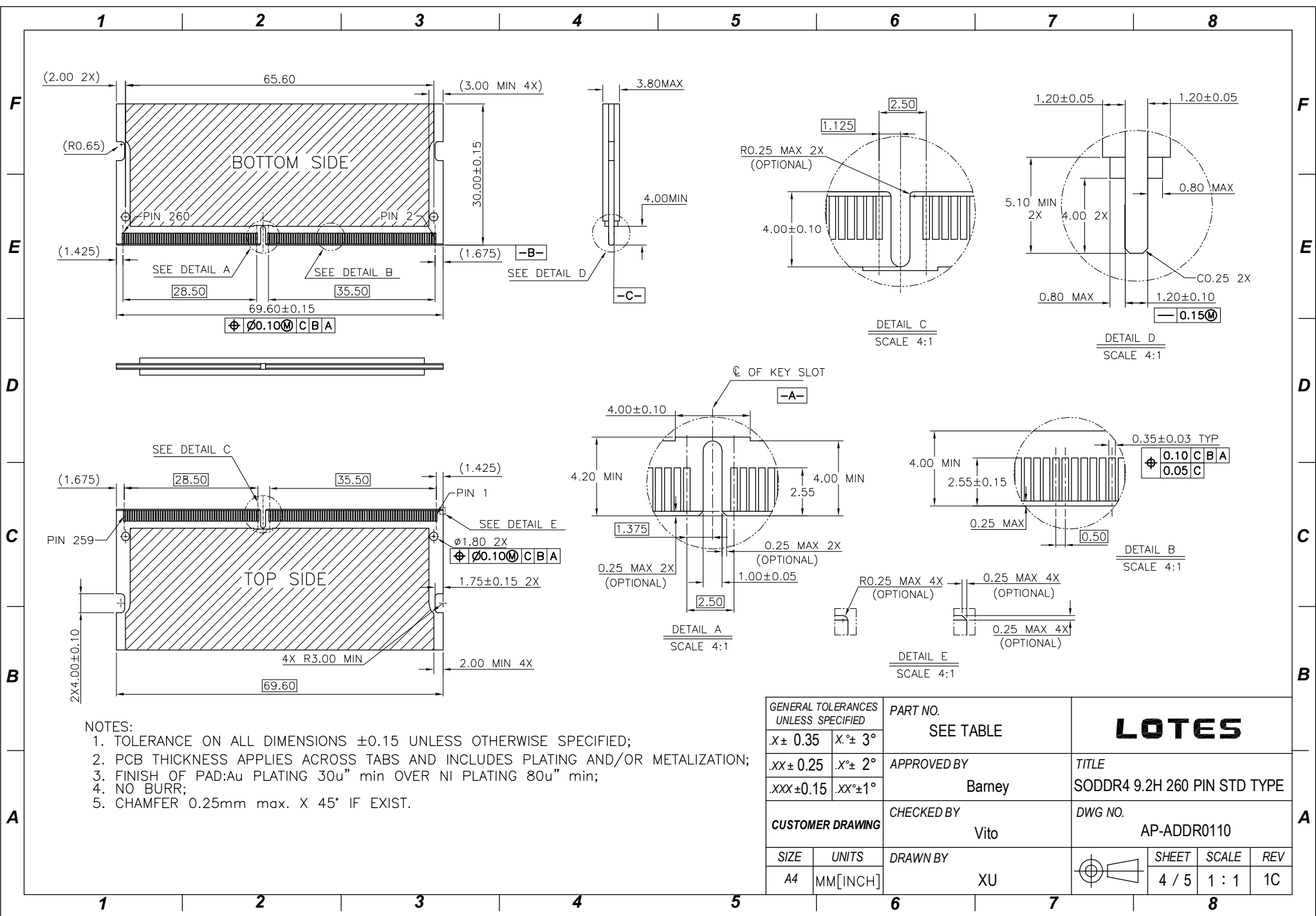
GENERAL TOLERANCES UNLESS SPECIFIED		PART NO.	LOTES			
X± 0.35	X°± 3°	SEE TABLE				
.XX± 0.25	X°± 2°	APPROVED BY	TITLE			
.XXX±0.15	.XX°±1°	Barney	SODDR4 9.2H 260 PIN STD TYPE			
CUSTOMER DRAWING		CHECKED BY	DWG NO.			
		Vito	AP-ADDR0110			
SIZE	UNITS	DRAWN BY		SHEET	SCALE	REV
A4	MM[INCH]	XU		2 / 5	5 : 4	1C



SCALE 2:1 TOP VIEW
 RECOMMEND PCB LAYOUT (STANDARD)
 THE TOLERANCES UNLESS SPECIFIED IS ± 0.05 MM



GENERAL TOLERANCES UNLESS SPECIFIED		PART NO. SEE TABLE	LOTES			
X ± 0.35	X° ± 3°					
.XX ± 0.25	X° ± 2°	APPROVED BY Barney	TITLE SODDR4 9.2H 260 PIN STD TYPE			
.XXX ± 0.15	.XX° ± 1°	CHECKED BY Vito	DWG NO. AP-ADDR0110			
CUSTOMER DRAWING		DRAWN BY XU		SHEET 3 / 5	SCALE 1 : 1	REV 1C
SIZE A4	UNITS MM [INCH]					



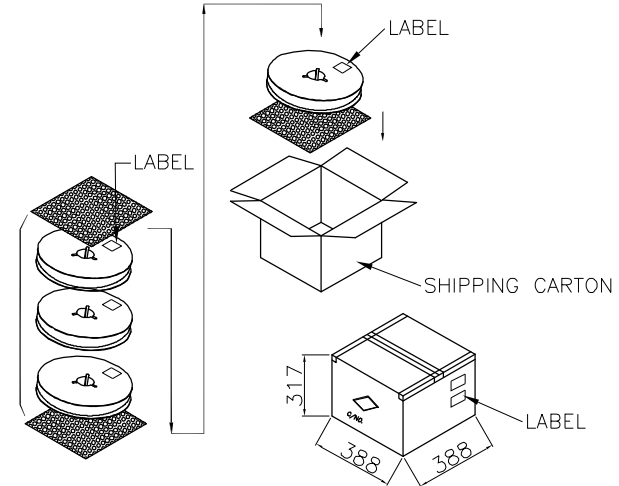
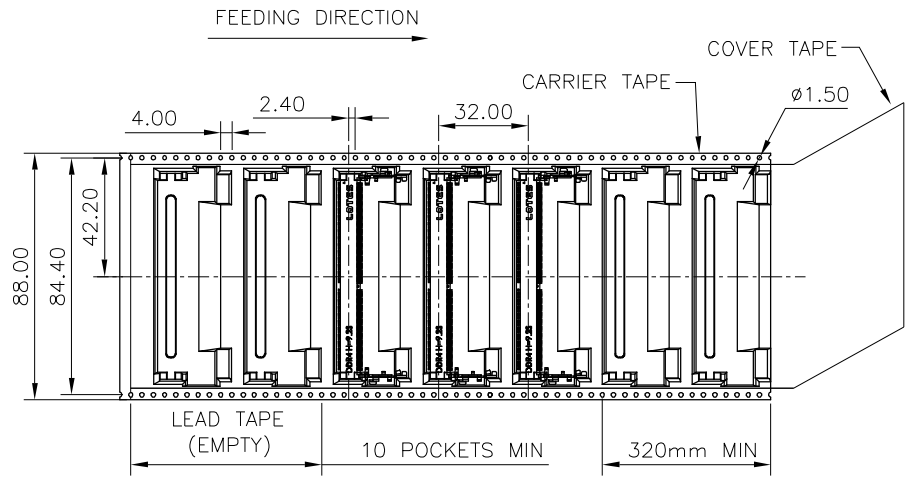
- NOTES:
1. TOLERANCE ON ALL DIMENSIONS ± 0.15 UNLESS OTHERWISE SPECIFIED;
 2. PCB THICKNESS APPLIES ACROSS TABS AND INCLUDES PLATING AND/OR METALIZATION;
 3. FINISH OF PAD: Au PLATING 30u" min OVER NI PLATING 80u" min;
 4. NO BURR;
 5. CHAMFER 0.25mm max. X 45° IF EXIST.

GENERAL TOLERANCES UNLESS SPECIFIED		PART NO. SEE TABLE	LOTES			
X ± 0.35	X° ± 3°					
.XX ± 0.25	X° ± 2°	APPROVED BY	TITLE			
.XXX ± 0.15	.XX° ± 1°	Barney	SODDR4 9.2H 260 PIN STD TYPE			
CUSTOMER DRAWING		CHECKED BY	DWG NO.			
		Vito	AP-ADDR0110			
SIZE	UNITS	DRAWN BY		SHEET	SCALE	REV
A4	MM [INCH]	XU		4 / 5	1 : 1	1C

1 2 3 4 5 6 7 8

F

F



E

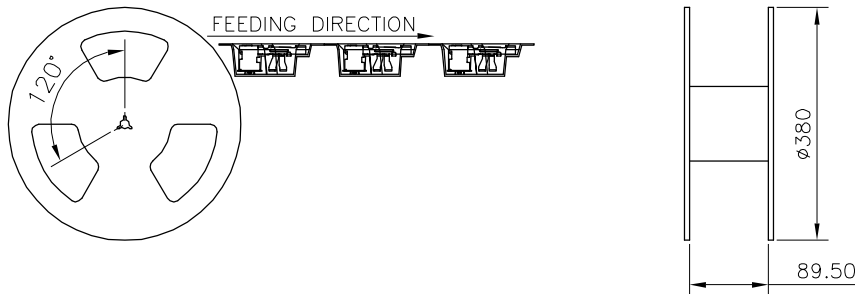
E

D

D

C

C



NOTES:

- 1. MATERIAL :
 - 1.1 CARRY TAPE: PS
 - 1.2 COVER TAPE: PET
 - 1.3 SHIPPING CARTON: CORRUGATED FIBER
- 2. DIMENSION :
 - 2.1 REEL: W=88.0, øA=380
 - 2.2 SHIPPING CARTON: L=388, W=388, H=317 (INNER)
- 3. QUANTITY :
 - 3.1 PRIMARY PACKING: 220 PCS/REEL
 - 3.2 SECONDARY PACKING: 3 REELS/CARTON(660PCS)
- 4. PEELING RESISTANCE: 20gf~120gf.
- 5. PEELING SPEED: 300mm/minutes.

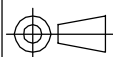
B

B

A

A

1 2 3 4 5 6 7 8

GENERAL TOLERANCES UNLESS SPECIFIED		PART NO. SEE TABLE	LOTES			
X± 0.35	X°± 3°					
.XX± 0.25	.X°± 2°	APPROVED BY Barney	TITLE SODDR4 9.2H 260 PIN STD TYPE			
.XXX±0.15	.XX°±1°	CHECKED BY Vito	DWG NO. AP-ADDR0110			
SIZE A4	UNITS MM	DRAWN BY XU		SHEET 5 / 5	SCALE N/A	REV 1C