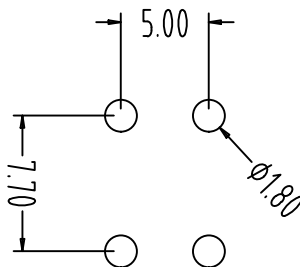
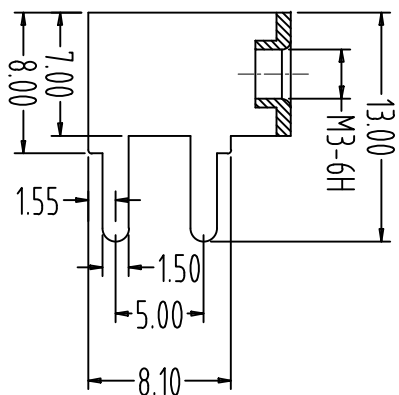


- 技术要求：  
 1.额定电流：40A  
 2.材质：黄铜 T0.8mm  
 3.表面处理：镀锡  
 5.牙孔规格:M3



|     |              |  |      |                            |            |       |                 |  |              |                        |      |
|-----|--------------|--|------|----------------------------|------------|-------|-----------------|--|--------------|------------------------|------|
|     |              |  |      | TOLERANCE UNLESS OTHERWISE |            | DRAWN | CK tan          | <b>XFCN兴飞连接器有限公司</b><br>CONNECTORS XFCN CONNECTORS CO., LTD. |              | SHEET                  | 1/1  |
|     |              |  |      | X.                         | $\pm 0.30$ | X°    | $\pm 5^\circ$   |  |              | CHKD                   | DATE |
|     |              |  |      | .X                         | $\pm 0.20$ | .X°   | $\pm 2^\circ$   | APPD   | PRODUCT NAME | PCB Soldering Terminal |      |
|     |              |  |      | .XX                        | $\pm 0.08$ | .XX°  | $\pm 1^\circ$   | VIEW   | PART. NO.    | TR34070                |      |
|     |              |  |      | .XXX                       | $\pm 0.03$ | .XXX° | $\pm 0.5^\circ$ |  |              | SCALE                  | 1:1  |
|     |              |  |      |                            |            |       |                 |  |              | DWG NO.                | 009  |
| AO  | MODIFICATION |  | DRAW | DATE                       |            |       |                 |  |              |                        |      |
| VER |              |  |      |                            |            |       |                 |  |              |                        |      |