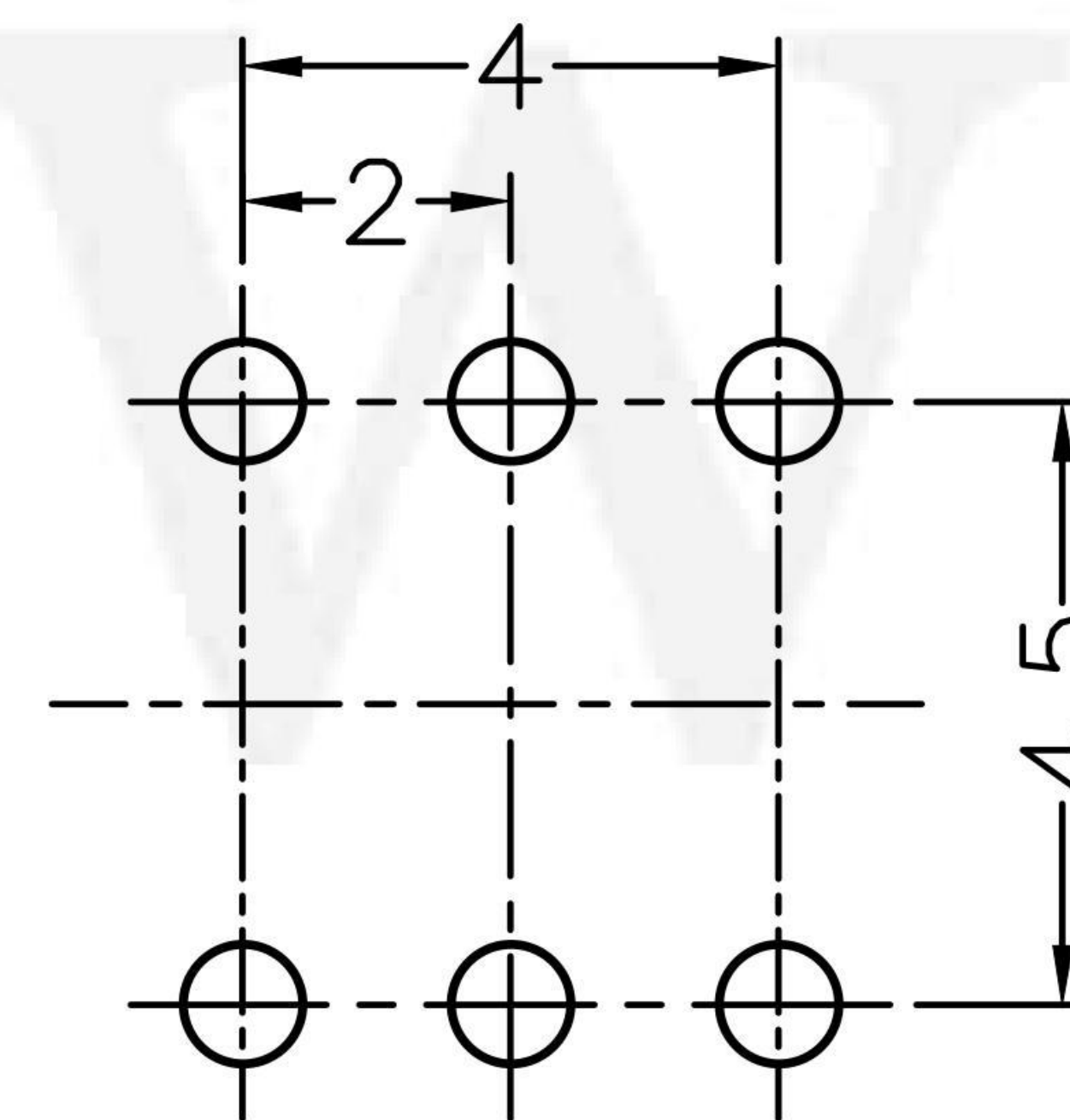
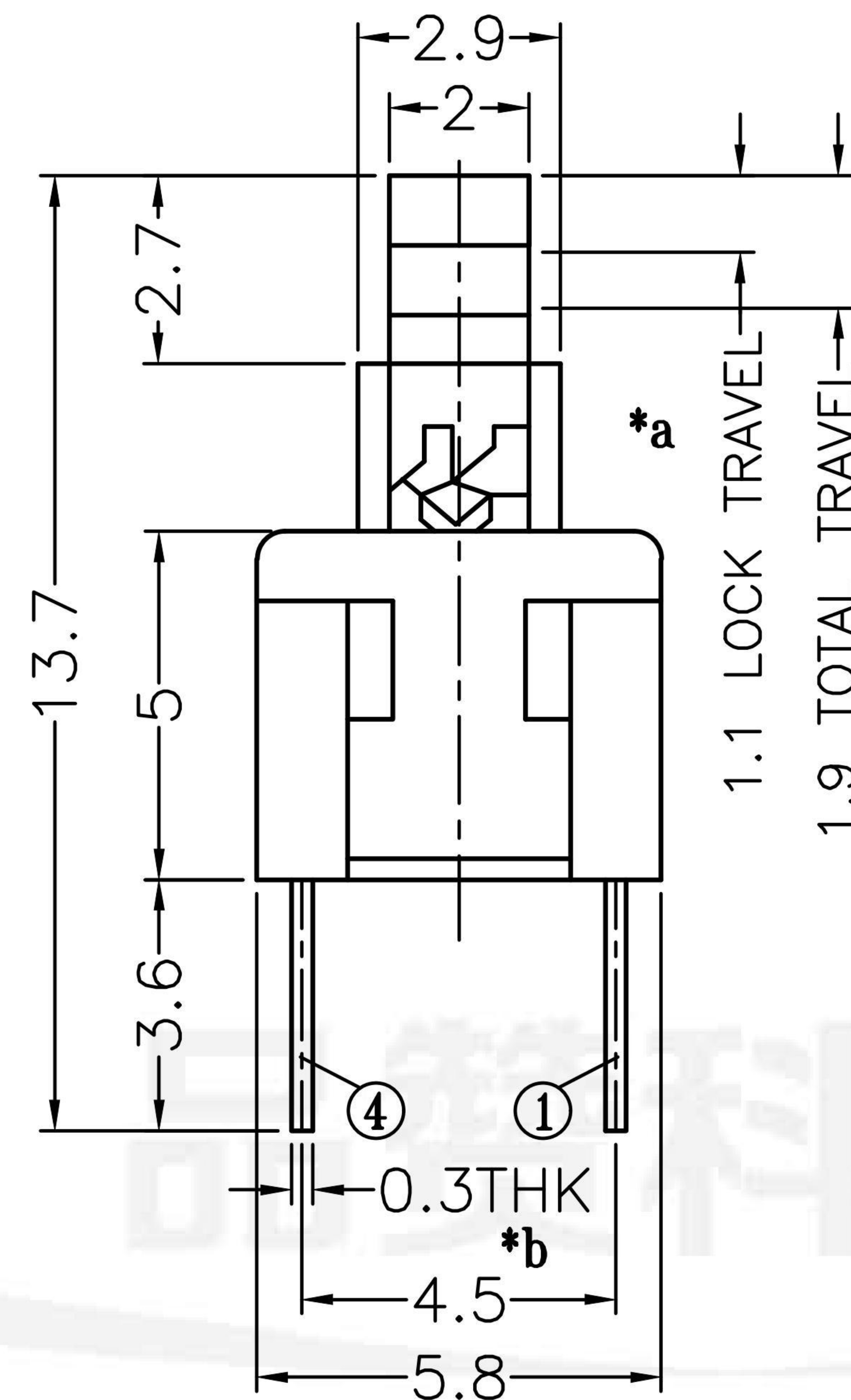
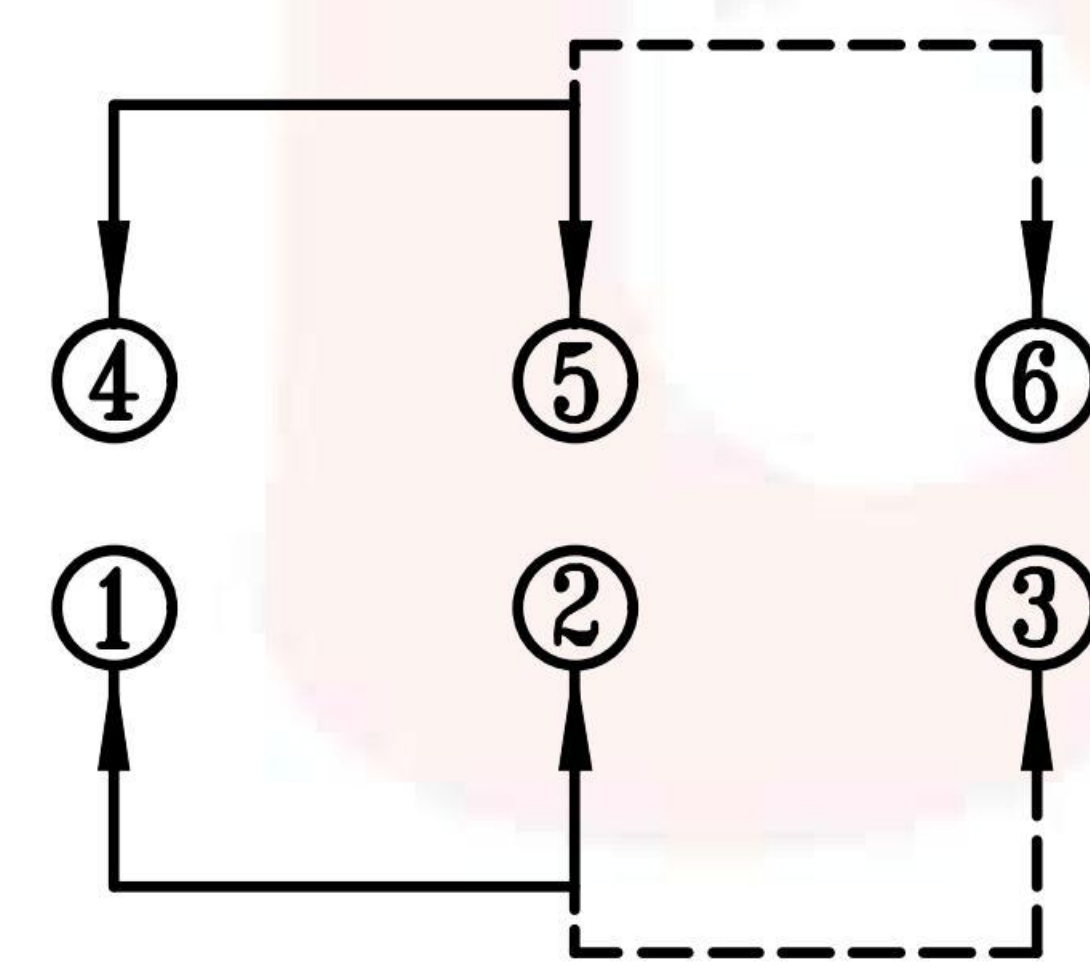


SCHEMATIC (NON-SHORTING)



P.C.B. LAYOUT
BOTTOM VIEW

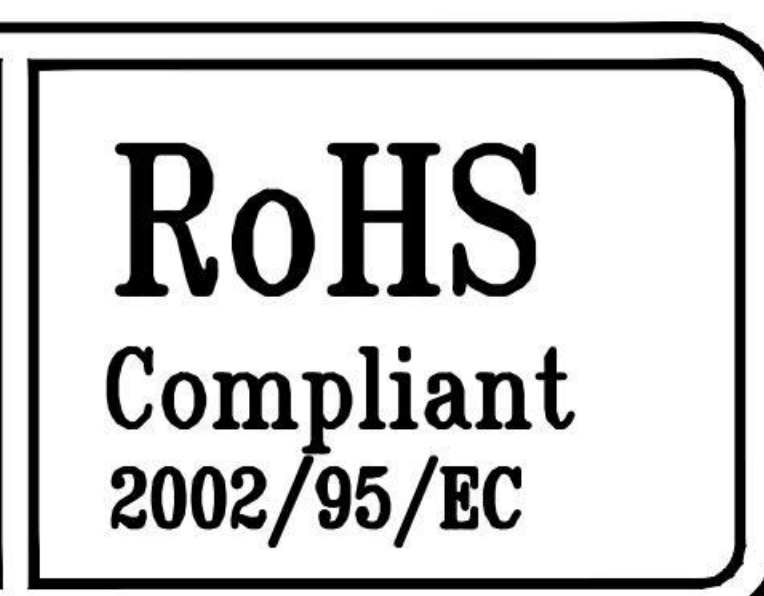
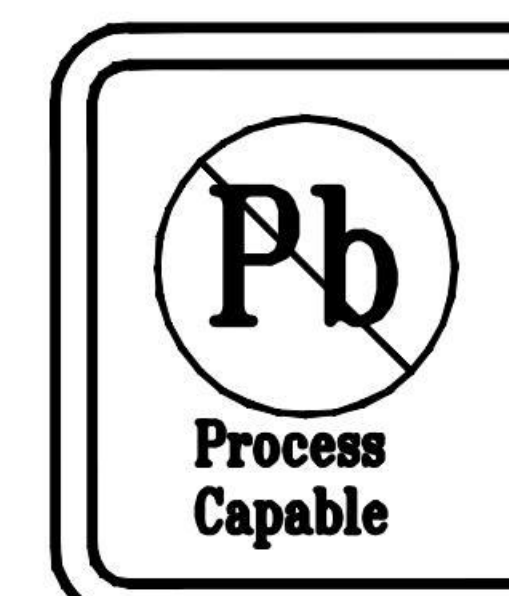


PS-5850A-6PX

X=NO LOCK
L=LOCK

G-Switch Specification:

Electrical Specifications: 0.5A 30VDC
 Contact Resistance : $\leq 100m\Omega$
 Insulation Resistance: $\geq 100M\Omega$ DC125V
 Withstand Voltage: AC125V 1 minute
 Operating Temperature: $-25^{\circ}C \sim +65^{\circ}C$
 Storage Humidity: $\leq 85\%RH$
 Electrical Life: 10,000
 Mechanical Life: 100,000



G-Switch Electronic (HongKong) CO.,Ltd.

Unless otherwise specified, Tolerance:
 X. ± 0.30
 X.x ± 0.20
 X.xx ± 0.15
 X.xxx ± 0.10
 Angles $\pm 3^{\circ}$

DESIGN Yvette Chen	DATE 2019.05.29
CHECKED	DATE
APPROVED	DATE
http://www.dg-switch.com	
TEL:0769-82388879	

Molde code:		
PS-5850A-6PX		
REV.: X1	SCALE: 4:1	UNIT: mm
SIZE: A4	SHEET: 1/1	