

PRODUCT NO.	RoHS compliant
DSWB04LHGETB	

REV.	ECN NO.	DR	DATE

Note:

- All dimensions are in millimeters.
- General tolerance: $\pm 0.2\text{mm}$.
- Material:

Base:UL94V-0 PBT Thermoplastic(Black).
 Cover:UL94V-0 PBT Thermoplastic(Black/Red/Blue).
 Actuators:UL94V-0 PBT Thermoplastic(White).
 Contact plating:Gold plating over nickel.
 Pitting material:Epoxy.

4. Electrical

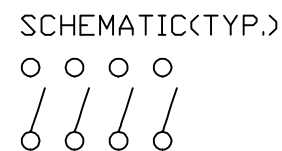
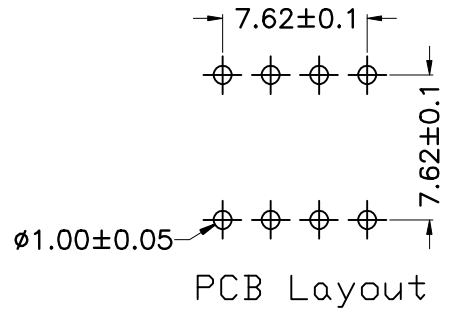
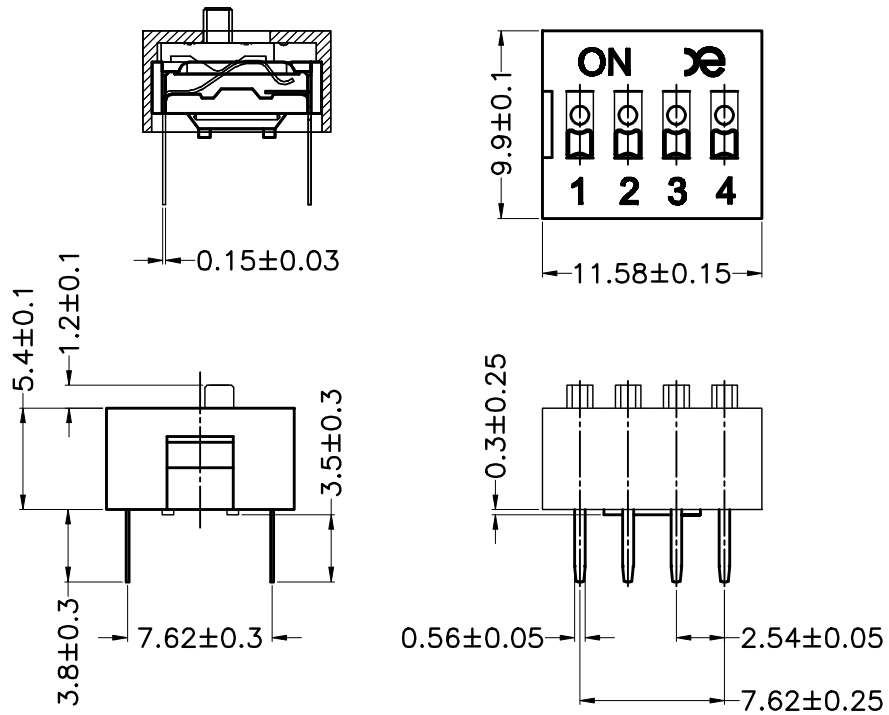
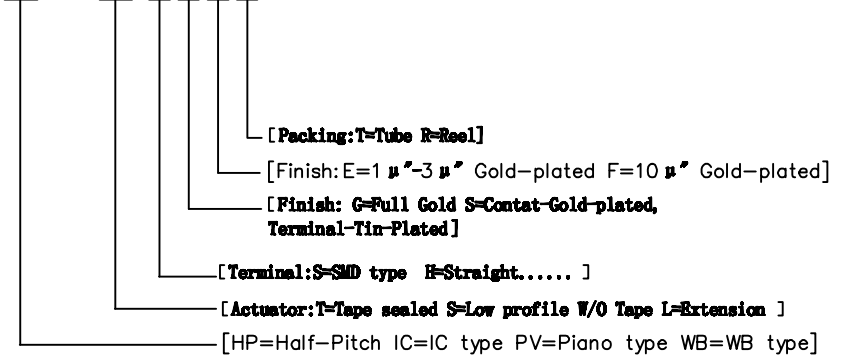
Electrical:2000 Operations per switch 24/VDC, 25mA.
 Non-Switching Rating:100mA, 50/VDC.
 Switching Rating:25mA, 24/VDC
 Contact Resistance:100 m Ω Max. at initial.

5. Mechanical

Mechanical life:2000 Operations per switch.
 Stroke:2.0mm.
 Operation Temp:-20°C to 70°C.
 Storage Temp:-40°C to 85°C.

6. PART NUMBER DESCRIPTION:

DS WB 04 L H G E T B



注意:

- 波峰焊: 推荐焊锡温度在270°C \pm 5°C, 浸锡时间为5~6秒钟.
- 手工焊: 使用30瓦烙铁控制温度在320°C, 焊接时间大约2~3秒钟.
- 拨柄位置: 产品焊接时, 请将产品的拨柄置于OFF端, 能给予产品更好的接触性能.
- 清洗过程: 清洗使用超声波方式, 能给予更好的效果.

TOLERANCE UNLESS OTHERWISE SPECIFIED	INSPECTION COPY
LINEAR	ANGLES
.0 \pm 0.30	0. \pm 1'
.00 \pm 0.20	.0 \pm 0.5'
.000 \pm 0.10	.00 \pm
DESIGN LU ER XIN	2013/07/02
DRAWING	
CHECK	
APPRO.	

TITLE BY DSWB SERIES PITCH 2.54mm			
PRODUCT FAMILY DSWB SERIES			
PRAT NO. DSWB04LHGETB			
FILE NO. DSWB04LHGETB-A			
SIZE	UNIT	SCALE	SHEET
A4	mm	FIT	1 OF 1
REV.			
A			