

| | |
|-----------------------------|----------------|
| PRODUCT NO. DSWB08LHGETB | RoHS compliant |
|-----------------------------|----------------|

| | | | |
|------|---------|----|------|
| REV. | ECN NO. | DR | DATE |
| | | | |

Note:

- All dimensions are in millimeters.
- General tolerance: $\pm 0.2\text{mm}$.
- Material:

Base:UL94V-0 PBT Thermoplastic(Black).
 Cover:UL94V-0 PBT Thermoplastic(Black/Red/Blue).
 Actuators:UL94V-0 PBT Thermoplastic(White).
 Contact plating:Gold plating over nickel.
 Pitting material:Epoxy.

4. Electrical

Electrical:2000 Operations per switch 24/VDC, 25mA.
 Non-Switching Rating:100mA, 50/VDC.
 Switching Rating:25mA, 24/VDC
 Contact Resistance:100 m Ω Max.at initial.

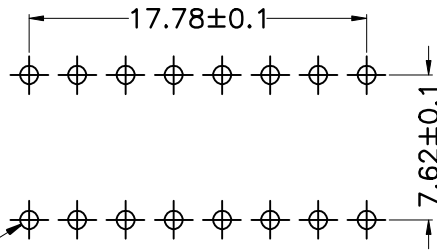
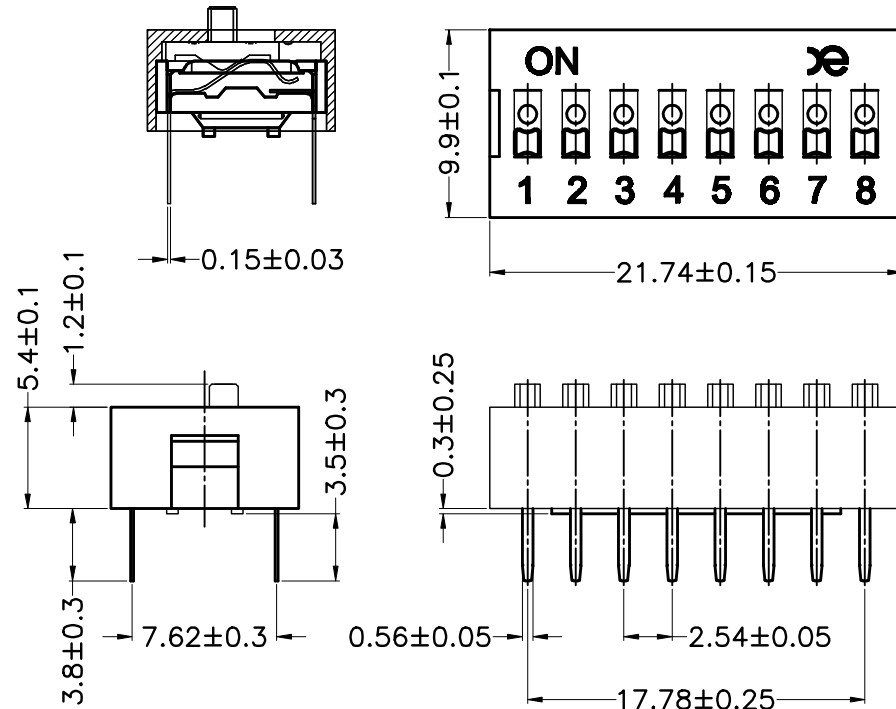
5. Mechanical

Mechanical life:2000 Operations per switch.
 Stroke:2.0mm.
 Operation Temp:-20 $^{\circ}\text{C}$ to 70 $^{\circ}\text{C}$.
 Storage Temp:-40 $^{\circ}\text{C}$ to 85 $^{\circ}\text{C}$.

6. PART NUMBER DESCRIPTION:

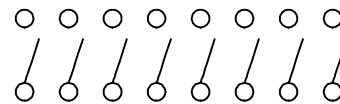
DS WB 08 L H G E T B

- [Packing:T=Tube R=Reel]
- [Finish:E=1 μ "-3 μ " Gold-plated F=10 μ " Gold-plated]
- [Finish:G=Full Gold S=Contat-Gold-plated, Terminal-Tin-Plated]
- [Terminal:S=SMD type H=Straight.....]
- [Actuator:T=Tape sealed S=Low profile W/O Tape L=Extension]
- [HP=Half-Pitch IC=IC type PV=Piano type WB=WB type]



PCB Layout

SCHEMATIC(TYP.)



| | | | |
|--------------------------------------|---------------|-----------------|--|
| TOLERANCE UNLESS OTHERWISE SPECIFIED | | INSPECTION COPY | 东莞市广誉实业有限公司 DongGuan Kingtek Industrial Co., Ltd. |
| LINER | ANGLES | | |
| .0 \pm 0.30 | 0. \pm 1' | PROJECTION | TITLE |
| .00 \pm 0.20 | .0 \pm 0.5' | | BY DSWB SERIES PITCH 2.54mm |
| .000 \pm 0.10 | .00 \pm | | PRODUCT FAMILY DSWB SERIES |
| DESIGN | LU ER XIN | 2013/07/02 | PRAT NO. DSWB08LHGETB |
| DRAWING | | | FILE NO. DSWB08LHGETB-A |
| CHECK | | | SIZE UNIT SCALE SHEET REV. |
| APPRO. | | | A4 mm FIT 1 OF 1 A |