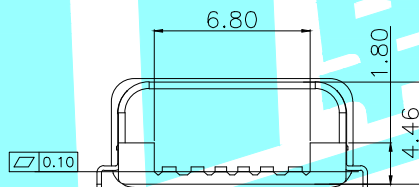
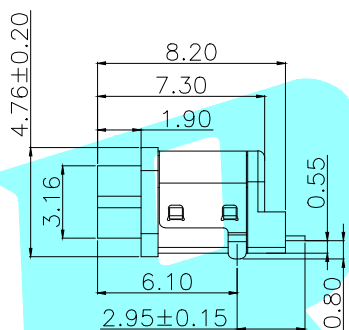
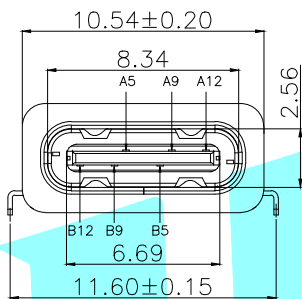


RECOMMENDED P.C.B. LAYOUT
TOLERANCE UNSPECIFIED ±0.05mm

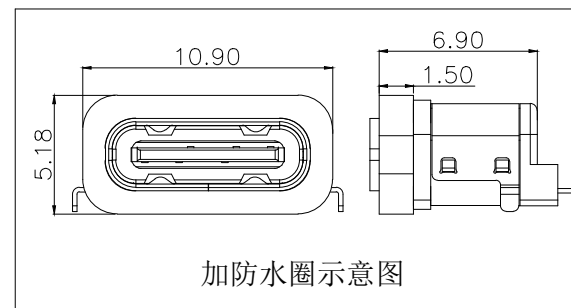
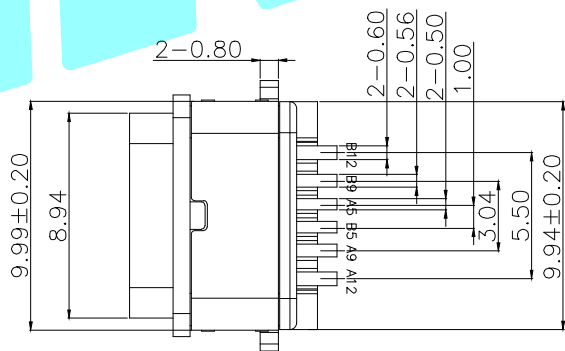
NOTES:

SPECIFICATION:

- CURRENT RATING: 3.0A MAX
- VOLTAGE: 100 VAC
- TEMPERATURE RANGE: -30 °C ~ 85 °C
- CONTACT RESISTANCE: 40 MILLIONHM MAX
- INSULATION RESISTANCE: 100 MEGOHMS MIN.
- INSERTION FORCE : 5N~20N
- UNMATING FORCE: 8N~20N
- DURABILITY: 10,000 CYCLES
- WATER PROOFNESS: THIS PRODUCT IS BASED ON IPX7.



A5	CC1	B12	GND
A9	VBUS	B9	VBUS
A12	GND	B5	CC2
PIN	SIGNAL NAME	PIN	SIGNAL NAME



⑥	防水圈	—	1	硅胶	Black
⑤	Shell	—	1	STAINLESS STEEL	Ni Plated
④	SHIELDING PLATE	—	1	STAINLESS STEEL	Ni Plated
③	Contact	—	1	COPPER ALLOY	TIN/Au/NI Plated
②	Shell Housing	—	1	HIGH TEMPERATURE PLASTIC	Black
①	Housing	—	1	HIGH TEMPERATURE PLASTIC	Black
ITEM	PART NAME	TER'NO.	QTY.	MATERIAL	FINISHING

APPROVALS		DATE		 ELECTRONICS CO.,LTD			
DRAWN	LIUCAN	2020.11.24					
CHECKED				TITLE:	USB CONNECTOR		
APPROVALS				PART NO.	TYPE-C-31-E-09		
TOLERANCES ARE		30~以上	±0.30	ANGLE	UNIT: mm	SCALE: 1:1	PROJ:
		10~30	±0.25				
		5~10	±0.20				
		~ 5	±0.15				

ECN NO.	REV.	DATE.	NEW DESCRIPTION.	CHANGE.	CHECK.	APPRO.
	A					