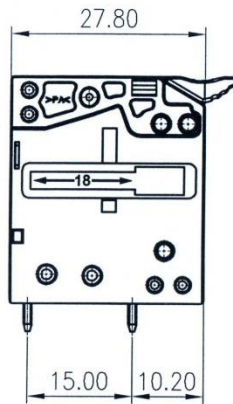
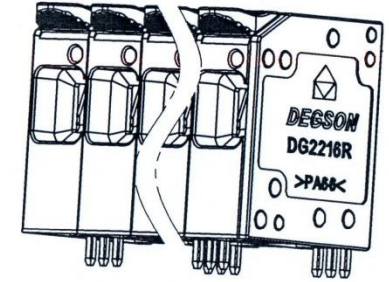
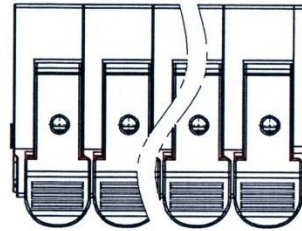
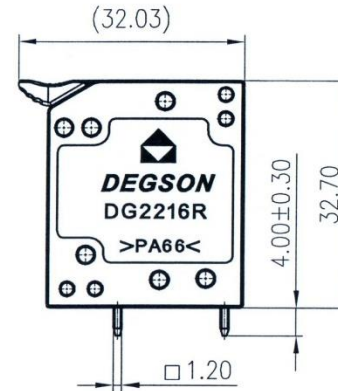
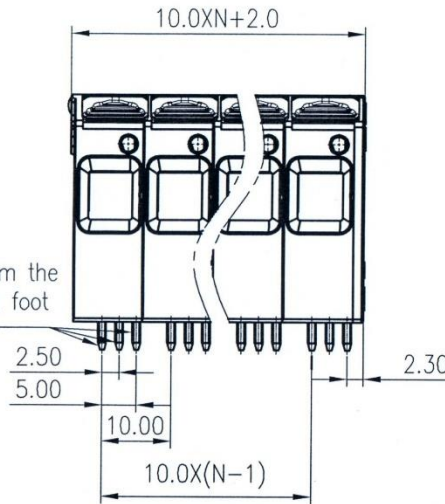


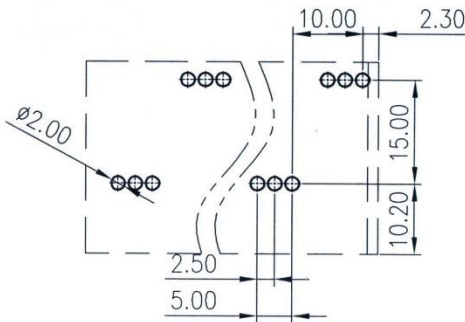
未注公差/General tolerances(mm)												0.1/10
0	>3	>6	>10	>18	>30	>50	>80	>120	>180	>250	>315	
~3	~6	~10	~18	~30	~50	~80	~120	~180	~250	~315	~400	~500
±0.12	±0.18	±0.22	±0.26	±0.31	±0.37	±0.57	±0.80	±0.93	±1.05	±1.15	±1.60	±2.20



The first foot from the left side is front foot



PCB LAYOUT



仅供参考
 签字: 兰春华
 日期: 2020.5.28

UL 标准/UL Standard:	B	C	D
额定电压/电流/Rated Voltage(V)/Current(A)	600/66	600/66	/
IEC 标准/IEC Standard:			
过压类别/Overvoltage Category/污染等级/Pollution Degree	III/3	III/2	II/2
额定电压/电流/Rated Voltage(V)/Current(A)	1000/76	1000/76	1000/76
额定脉冲电压(KV)/Rate Impulse Voltage(KV)	8	8	8
线径范围(硬线和软线)/Wire Range(rigid and flexible)(mm ² /AWG)	0.2~16(25mm ² sol)/18~4		
间距/Pitch(mm)/线数范围/Poles	10.0/N=02~12P		
剥线长度/Stripping length(mm)	18~20		
使用温度范围/Operating temperature(°C)	-40~+105		
符合RoHS环保要求/Conform to RoHS	Yes		

MATERIAL:	SURFACE:		
MAT NO.:	/		
STATUS:	/		
APPD: LanCH 2020.5.28	NAME: 宁波高松电子有限公司 NINGBO DEGSON ELECTRICAL CO., LTD		
CHKD: LanGF 2020.05.28	DG2216R-10.0-DA-XXP-1Y-00A(H)		
DRFT: ChenZh 2019.12.05	DRAWING NO.:	10001001	REV DO-1
SIZE: A4	TYPE: CUSTOMER DRAWING	SCALE: 1:1	SHEET 1/1

REV	ECN	DESCRIPTION	DRFT	DATE