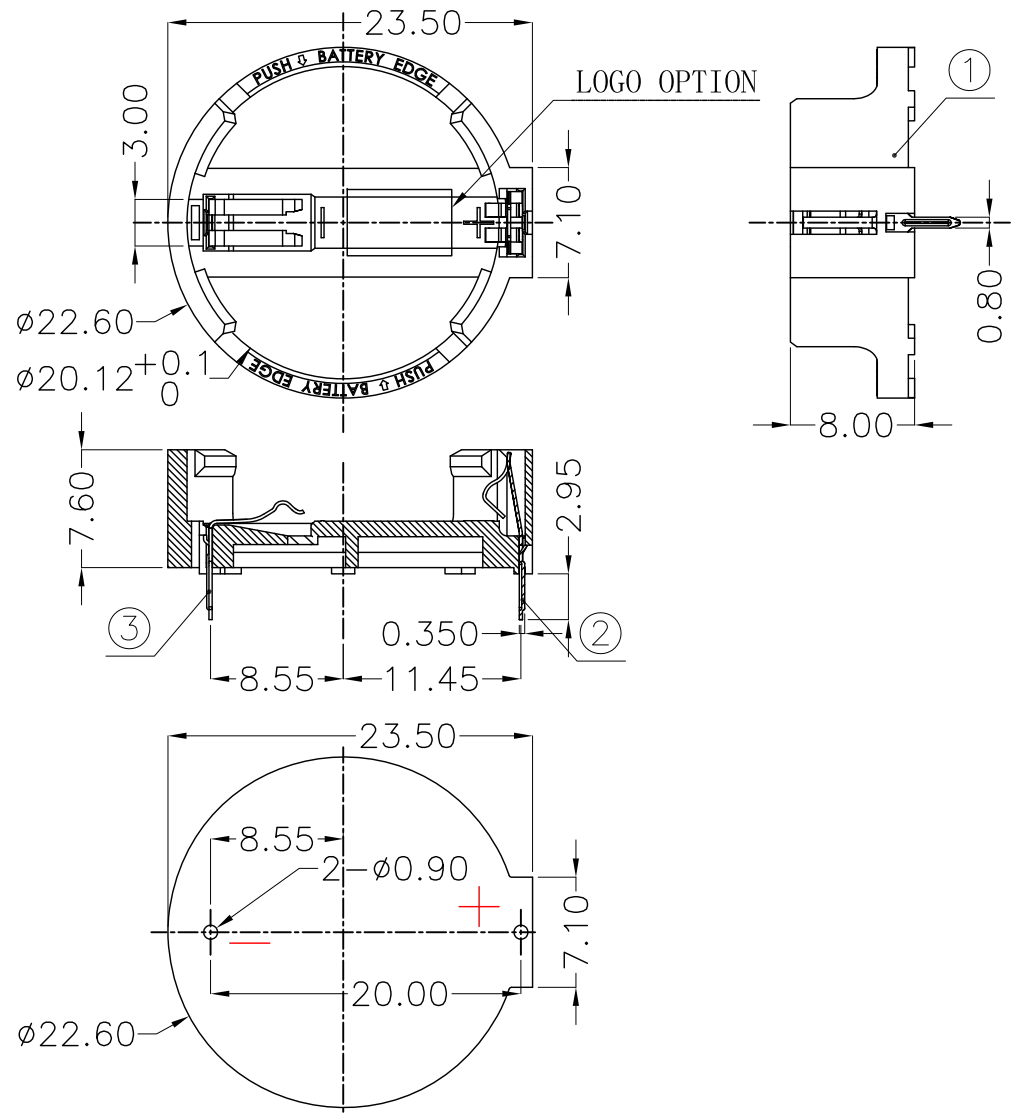




REV.	ECN NO.	REVISED	DATE



NOTE:

1.MATERIAL:

a.HOUSING:PA66 UL94V-0

b.CONTACT:PHOSPHOR BRONZE
(SURFACE PLATING:Ni=100u"-120u")
SEE ORDERING INFORMATION

2.ELECTRIC:

a.CONTACT RESISTANCE: 30 MILLIOHMS MAX

b.INSULATION RESISTANCE: 1000 MEGA OHMS MIN

c.DIELECTNIC VOLTAGE: 500V AC ONE SEC LEVEL

d.OPERATING TEMPERATURE: -55°C~ +105°C

ORDERING INFORMATION

BS-01-A***001

电池座系列 ———— PLATING:
A-Au1U"
J-Ni100U"~120U"
K-Sn100U"~120U"

BS-01系列 ————

DIP 90° TYPE ———— MATERIAL:
1A-PBT BLACK
1B-PA66 BLACK
2A-PPA BROWN
2B-PPA BLACK
3A-PPS BROWN
3B-PPS BLACK
4A-LCP WHITE
4B-LCP BLACK

工程部
2017-12-28
ZW DANG

PCB Layout Diagram
Top View

3	TERMINAL(-)	1	PHOSPHOR BRONZE, T=0.20mm	Ni-Plating
2	TERMINAL(+)	1	PHOSPHOR BRONZE, T=0.20mm	Ni-Plating
1	HOUSING	1	PA66	BLACK
NO.	PART NAME	Q'TY	MATERIAL	PLATING & COLOR

UNLESS OTHERWISE SPECIFIED TOLERANCES		MYOUNG 美阳 www.meiyangdz.com			
DECIMALS: X :±0.30 X.X :±0.25 X.XX :±0.20 X.XXX :±0.10	ANGLES: X :±1° X.X :±0.5°	DSND	YangFeng	DATE	2017-12-28
		CHKD	ZhouRuicai	DATE	2017-12-28
		APVD	XueShun Yong	DATE	2017-12-28
WEIGHT: 0.8g		SCALE: 2:1	SIZE: A4	VIEW:	TITLE: BS-2032-1 DIP
SHEET 1 OF 1		UNIT: mm	REV.: A/0	OBJECT: MY	PART NO.: BS-01-A1BJ001
					DRAW NO.:WD-CP-0023