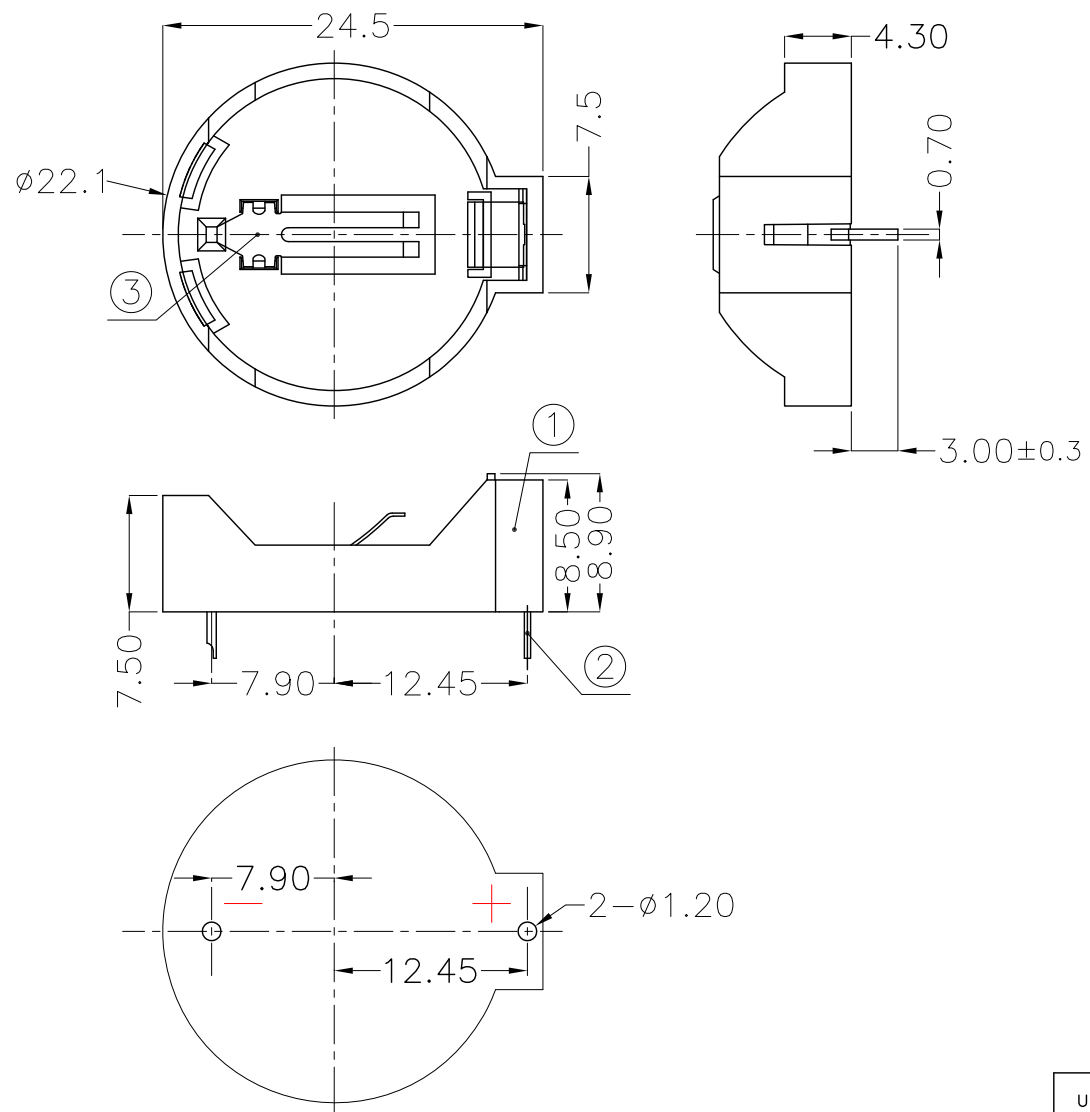




REV.	ECN NO.	REVISED	DATE



NOTE:
 1.MATERIAL:
 a.HOUSING:PBT UL 94V-0
 b.CONTACT:PHOSPHOR BRONZE
 (SURFACE PLATING:Sn=100u"-120u")
 SEE ORDERING INFORMATION
 2.ELECTRIC:
 a.CONTACT RESISTANCE: 30 MILLIOHMS MAX
 b.INSULATION RESISTANCE: 1000 MEGA OHMS MIN
 c.DIELECTNIC VOLTAGE: 500V AC ONE SEC LEVEL
 d.OPERATING TEMPERATURE: -25°C~ +85°C

ORDERING INFORMATION
BS-02-A*006**

电池座系列
 BS-02系列
 DIP 90° TYPE

PLATING:
 A-Au1U"
 J-Ni100U"~120U"
 K-Sn100U"~120U"

MATERIAL:
 1A-PBT BLACK
 1B-PA66 BLACK
 2A-PPA BROWN
 2B-PPA BLACK
 3A-PPS BROWN
 3B-PPS BLACK
 4A-LCP WHITE
 4B-LCP BLACK



PCB Layout Diagram
 Top View

3	TERMINAL(-)	1	PHOSPHOR BRONZE, T=0.20mm	Sn Plating
2	TERMINAL(+)	1	PHOSPHOR BRONZE, T=0.40mm	Sn Plating
1	HOUSING	1	PBT	BLACK
NO.	PART NAME	Q'TY	MATERIAL	PLATING & COLOR

UNLESS OTHERWISE SPECIFIED TOLERANCES		MYOUNG 美阳 www.meiyangdz.com			
DECIMALS: X :±0.30 X.X :±0.25 X.XX :±0.20 X.XXX :±0.10	ANGLES: X :±1° X.X :±0.5°	DSND	YangFeng	DATE	2017-07-14
WEIGHT: 1.56g		CHKD	ZhouRuicai	DATE	2017-07-14
SHEET 1 OF 1		APVD	XueShun Yong	DATE	2017-07-14
SCALE: 2:1		SIZE: A4	VIEW:	TITLE: BS-2032-2-1 2.0	
UNIT: mm		REV.: A/1	OBJECT: MY	PART NO.: BS-02-A1AK006	
				DRAW NO.:MY-CP-0026	