



REV.	ECN NO.	REVISED	DATE

NOTE:

- 1.MATERIAL:
 a.HOUSING:PA66 UL94V-0
 b.CONTACT:BRASS
 (SURFACE PLATING: Ni100u"~120u")
 SEE ORDERING INFORMATION

- 2.ELECTRIC:
 a.CONTACT RESISTANCE: 30 MILLIOHMS MAX
 b.INSULATION RESISTANCE: 1000 MEGA OHMS MIN
 c.DIELECTNIC VOLTAGE: 500V AC ONE SEC LEVEL
 d.OPERATING TEMPERATURE: -25° C~ +85° C

ORDERING INFORMATION

BS-04-A***005

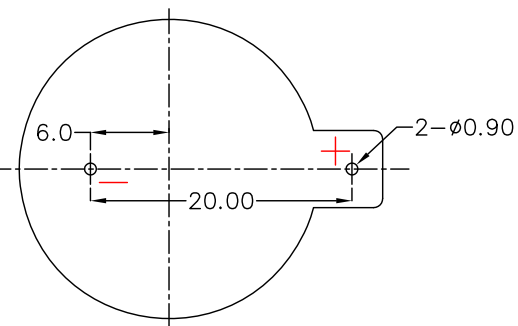
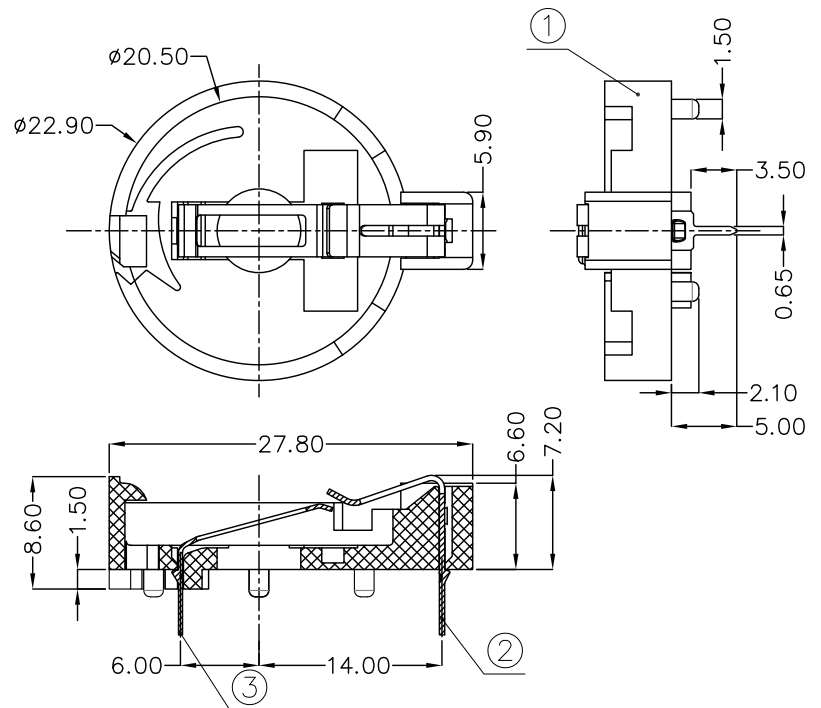
电池座系列

BS-04系列

DIP 90° TYPE

PLATING:
 A-Au1U"
 J-Ni100U"~120U"
 K-Sn100U"~120U"

MATERIAL:
 1A-PBT BLACK
 1B-PA66 BLACK
 2A-PPA BROWN
 2B-PPA BLACK
 3A-PPS BROWN
 3B-PPS BLACK
 4A-LCP WHITE
 4B-LCP BLACK



PCB Layout Diagram
Top View

UNLESS OTHERWISE SPECIFIED TOLERANCES		MYOUNG 美阳 www.meiyangdz.com			
DECIMALS: X :±0.30 X.X :±0.25 X.XX :±0.20 X.XXX :±0.10	ANGLES: X :±1° X.X :±0.5°	DSND	YangFeng	DATE	2018-05-07
		CHKD	ZhouRuicai	DATE	2018-05-07
		APVD	XueShunyong	DATE	2018-05-07
		WEIGHT:	SCALE:	SIZE: A4	VIEW:
		SHEET 1 OF 1	UNIT: mm	REV.: A/0	OBJECT: MY
		TITLE:		BS-2032-4-2 Ni DIP	
		PART NO.:		BS-04-A1BJ005	
		DRAW NO.:MY-CP-0143			

NO.	PART NAME	Q'TY	MATERIAL	PLATING & COLOR
3	TERMINAL(-)	1	BRASS T=0.3	Ni-Plating
2	TERMINAL(+)	1	BRASS T=0.4	Ni-Plating
1	HOUSING	1	PA66 UL94V-0	BLACK