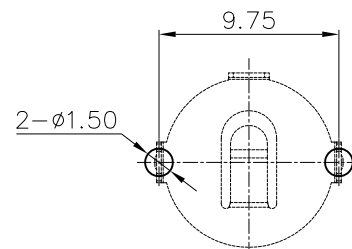
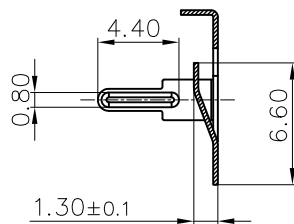
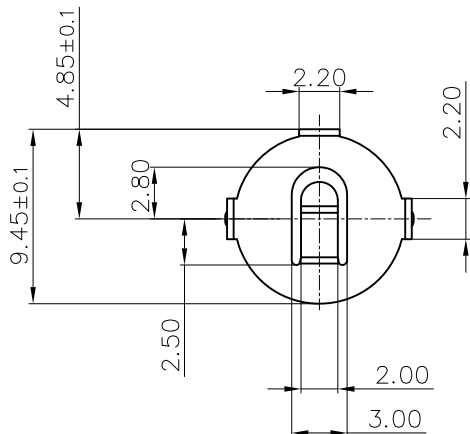
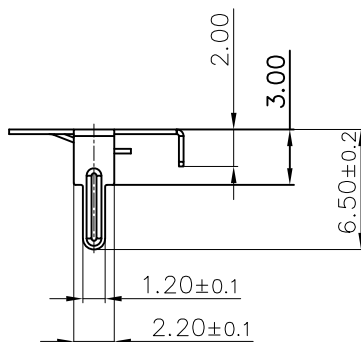
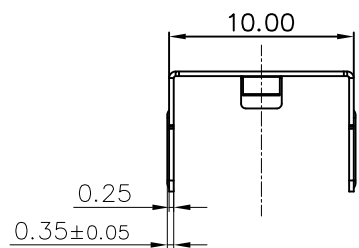
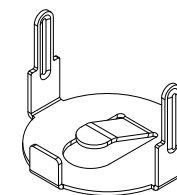




| | | | |
|------|---------|---------|------|
| REV. | ECN NO. | REVISED | DATE |
| | | | |



PCB Layout Diagram
Bottom View



工程部
2020-07-30
LQ. HUANG

技术要求:

- 1、截断面毛刺高度 $\leq 0.03\text{mm}$;
- 2、部件要求平整,无变形、裂纹、损伤等外观缺陷;

| | | | | | |
|--|---------------------------------|---|-------------|-----------------|---------------------|
| UNLESS OTHERWISE SPECIFIED TOLERANCES | | MYOUNG 美阳 www.meiyangdz.com | | | |
| DECIMALS: X :±0.30 X.X :±0.25 X.XX :±0.20 X.XXX :±0.10 | ANGLES: X :±1° X.X :±0.5° | DSND | YangFeng | DATE | 2020-07-30 |
| WEIGHT: | | CHKD | ZhouRuicai | DATE | 2020-07-30 |
| SHEET 1 OF 1 | | APVD | XueShunyong | DATE | 2020-07-30 |
| NO. | | SCALE: | SIZE: A4 | VIEW: | |
| 1 | | UNIT: mm | REV.: A/0 | OBJECT: MY | DRAW NO.:MY-CP-0234 |
| TERMINAL + | | Mn Steel T=0.25 | | Ni-Plating | |
| PART NAME | | MATERIAL | | PLATING & COLOR | |
| 1 | | 2 | | 3 | |
| Q'TY | | 1 | | Mn Steel T=0.25 | |
| 1 | | 1 | | Ni-Plating | |
| 1 | | 1 | | Mn Steel T=0.25 | |
| 1 | | 1 | | Ni-Plating | |

| | | | | |
|-----|------------|------|-----------------|-----------------|
| 1 | TERMINAL + | 1 | Mn Steel T=0.25 | Ni-Plating |
| NO. | PART NAME | Q'TY | MATERIAL | PLATING & COLOR |
| 1 | 1 | 1 | Mn Steel T=0.25 | Ni-Plating |
| 1 | 1 | 1 | Mn Steel T=0.25 | Ni-Plating |