

APPROVAL SPECIFICATIONS

Title. FPC CONNECTOR

Product Model. PCIE-52PNH

Customer's Part NO.

Customer's Model:

Customer's Approval Requested.

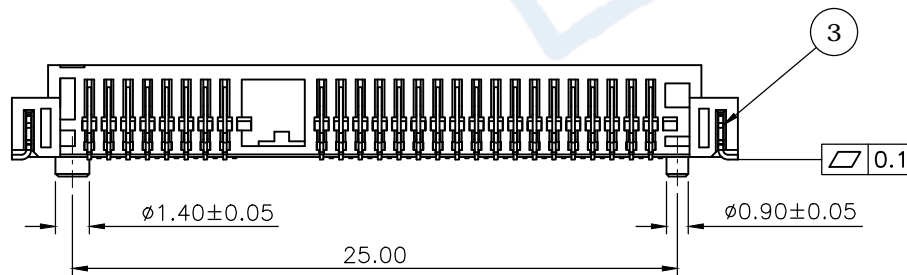
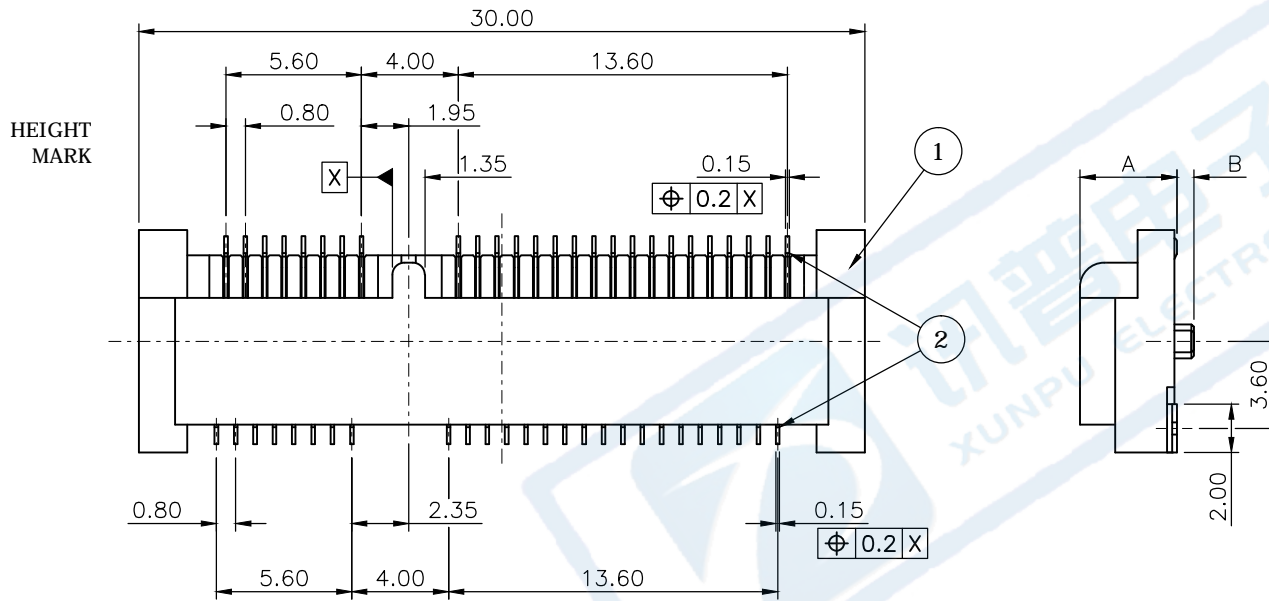
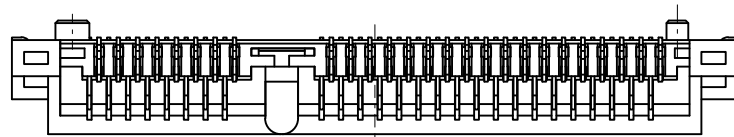
Please return this copy as a certification of your approval.

Checked by: _____ Date: _____

Approved by: _____ Date: _____

APPROVE	REVIEW	POLT
王凯	林永坚	陈旺

XUNPU ELECTRONICS CO.,LTD



SPECIFICATION:

1. ELECTRICAL

- 1.1 Current Rating: 0.5A per pin
- 1.2 Voltage Rating: 50V DC
- 1.3 Contact Resistance: 5 mΩ Max
- 1.4 Insulation Resistance: 500MΩ Min
- 1.5 Dielectric Withstanding Voltage: 300VAC

2. MECHANICAL

- 2.1 Durability: 100 Cycle
- 2.2 Insertion Force: 2.3Kgf max.
- 2.3 Extraction Force: 2.3Kgf max.

3. ENVIRONMENTAL

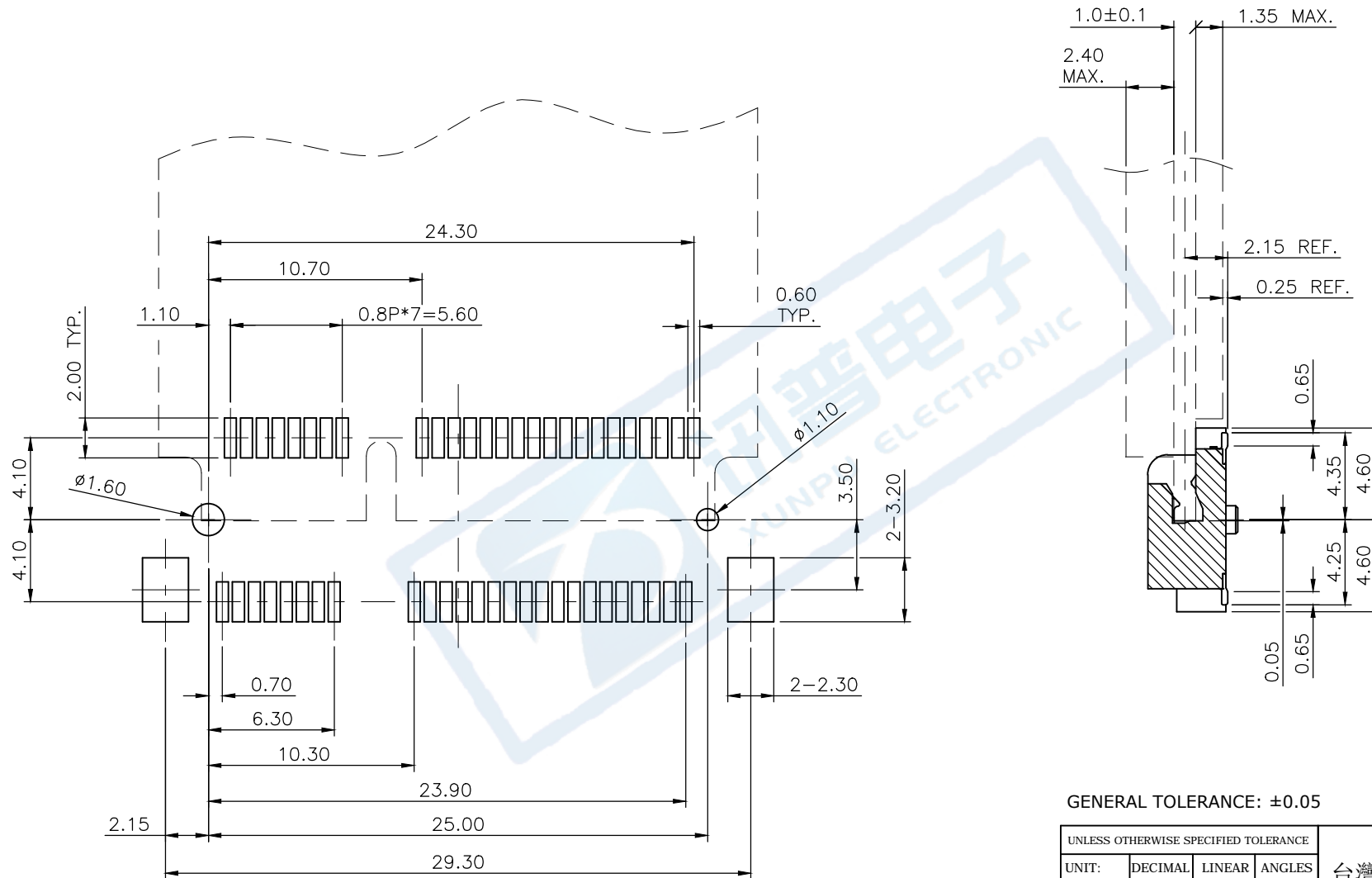
- 3.1 Operating temperature range: -40 °C ~ +85 °C
- 3.2 Storage temperature range: -40 °C ~ +85 °C

4. SOLDER ABILITY

- 4.1 Recommended IR Reflow Temperature: 260 °C 10Sec

3	HOLDDOWN	Brass C2680, Tin Plated			
2	CONTACT	Phosphor Bronze C5210, Contact Area: Gold Flash Over Nickel			
1	HOUSING	LCP UL94V-0, Black			
NO. PART NAME		DESCRIPTION			
UNLESS OTHERWISE SPECIFIED TOLERANCE					
UNIT:	DECIMAL	LINEAR	ANGLES	台灣訊普電子科技有限公司	
	X	±0.50	±5°		
	X.X	±0.25	±3°		
	X.XX	±0.12	±1°		
www.xunpudianzi.com					
DRAWN	Fros	2014/12/12	DRAWN NAME:		
CHECKED	Ron	2014/12/12	Mini PCI Express Socket H: X.Xmm		
APPROVED	Albert	2014/12/12	PRODUCT NO.	PCIE-52PNH	
SCALE 3.2		SHEET 1/3	SIZE A4		

NO.	DESCRIPTION	DRAWN	DATE
	SEE SHEE 1		

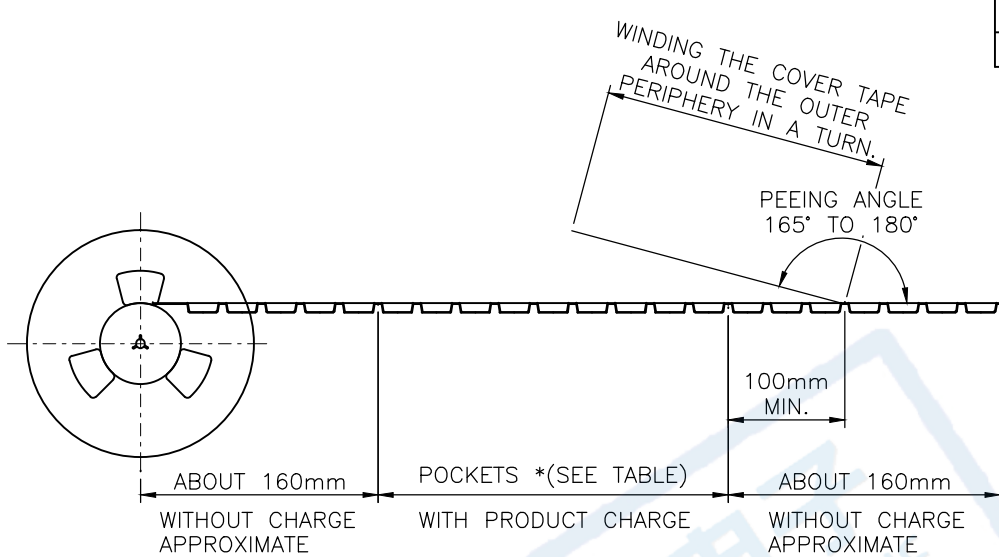
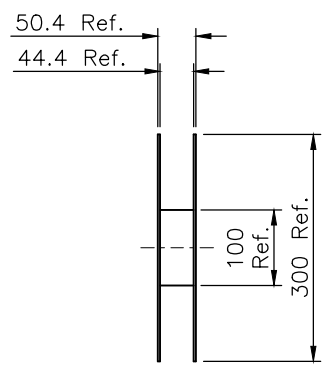


RECOMMEND PCB LAYOUT, TOP VIEW

GENERAL TOLERANCE: ± 0.05

UNLESS OTHERWISE SPECIFIED TOLERANCE				台灣訊普電子科技有限公司 www.xunpudianzi.com
UNIT:	DECIMAL	LINEAR	ANGLES	
mm	X.	± 0.50	$\pm 5^\circ$	
	X.X	± 0.25	$\pm 3^\circ$	
	X.XX	± 0.12	$\pm 1^\circ$	
DRAWN	Fros	2014/12/12	DRAWN NAME:	
CHECKED	Ron	2014/12/12	Mini PCI Express Socket H: X.Xmm	
APPROVED	Albert	2014/12/12	PRODUCT NO.	PCIE-52PNH
SCALE 3.2		SHEET 2/3	SIZE A4	

NO.	DESCRIPTION	DRAWN	DATE
	SEE SHEE 1		

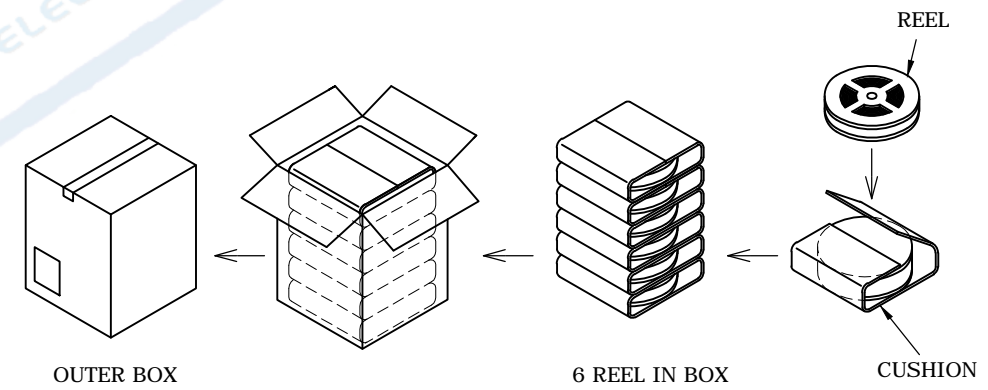
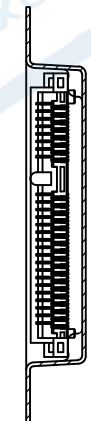
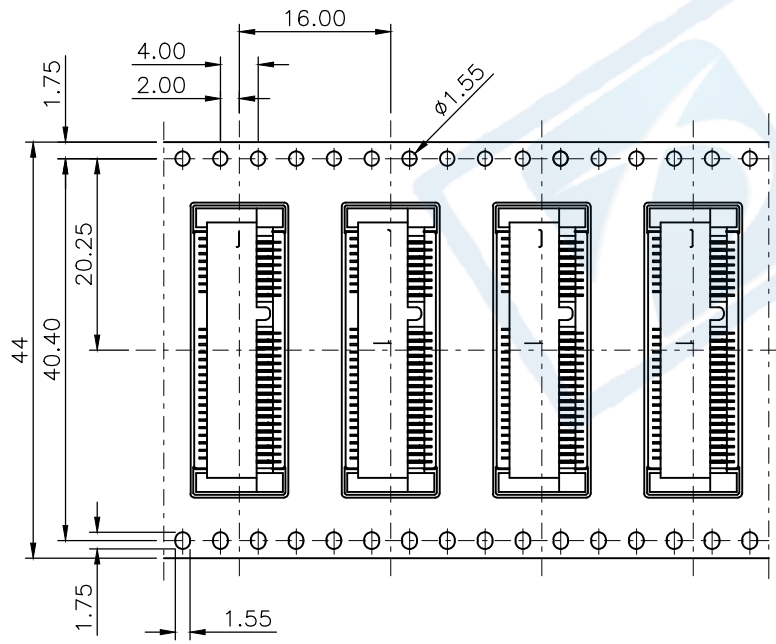


NOTE:

1. PEELING RESISTANCE: 0.1N~0.13N (10gf~130gf)
PEELING ANGLE: 165°~180°
PEELING SPEED: 300mm/min.
2. PACKING STYLE
6 REEL/CARTON

PACKING TABLE		
P/N	Q'TY/ REEL	Q'TY/ CARTON
PCIE-52P40H	650 PCS	3,900 PCS
PCIE-52P56H	550 PCS	3,300 PCS

REEL DIMENSIONS
SCALE 1/10



BOX PACKING

*SEE TABLE

UNLESS OTHERWISE SPECIFIED TOLERANCE				台灣訊普電子科技有限公司 www.xunpudianzi.com		
UNIT:	DECIMAL	LINEAR	ANGLES			
mm	X.	±0.50	±5°			
	X.X	±0.25	±3°			
	X.XX	±0.12	±1°			
DRAWN	Fros	2014/12/12	DRAWN NAME:			
CHECKED	Ron	2014/12/12	Mini PCI Express Socket H: X.Xmm			
APPROVED	Albert	2014/12/12	PRODUCT NO.	PCIE-52PNH		
SCALE	1.25	SHEET	3/3	SIZE	A4	