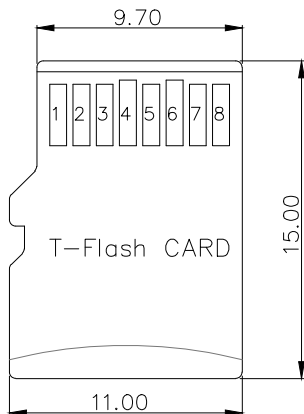
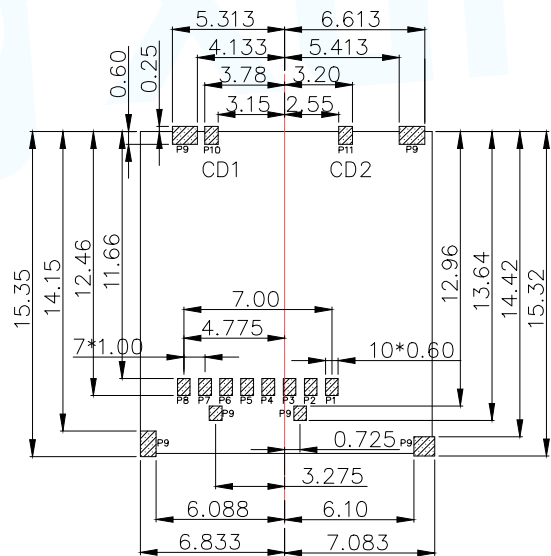
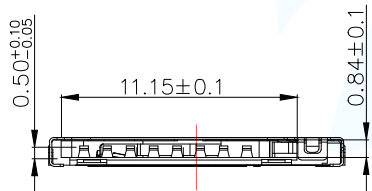
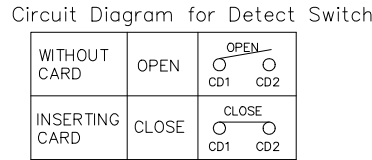


- NOTES:
- 1.ELECTRICAL:
 - VOLTAGE: 100V AC
 - CURRENT: 0.5A MAX
 - CONTACT RESISTANCE: 40MΩ MAX
 - VOLTAGE PROOF: 500V AC
 - INSULATION RESISTANCE: 1000MΩ MIN
 - 2.MECHANICAL:
 - CARD INSERTION/WITHDRAWAL FORCE: 10N MAX
 - PUSH IN STRENGTH: 10N
 - DURABILITY: 10,000 CYCLES
 - 3.MATERIAL:
 - HOUSING: LCP UL94V-0 BLACK
 - SLIDE: LCP UL94V-0 BLACK
 - LATCH: PHOSPHOR BRONZE
 - CONTACT: PHOSPHOR BRONZE
 - SHELL: STAINLESS STEEL
 - SPRING: STAINLESS STEEL
 - CRANK-AXLE: STAINLESS STEEL



PAD AREA
 KEEP OUT AREA
 RECOMMENDED PCB LAYOUT
 GENERAL TOLERANCE ±0.05



TF CARD PIN DEFINE			
PIN NO.	NAME	YYPE	DESCRIPTION
1	DAT2	I/O/PP	DATE LINE(BIT2)
2	CD/DAT3	I/O/PP	CARD DETECT DATE LIN(BIT3)
3	CMD	PP	COMMAND RESPONSE
4	VDD	S	SUPPLY VOLTAGE
5	CLX	I	CLOCK
6	VSS	S	SUPPLY VOLTAGE GROUND
7	DATO	I/O/PP	DATE LINE(BIT0)
8	DAT1	I/O/PP	DATE LINE(DIT1)
9	GND		
10	COMMON		CD1
11	DETECT SW(GND)		CD2

MANUFACTURE DWG		东莞市讯普电子科技有限公司 DongGuan XunPu Electronics Co.,Ltd	
UNLESS OTHERWISE SPECIFIED TOLERANCES			TITLE: T-FLASH CARD PUSH H1.29
DECIMALS:	ANGLES:		PAR TF-106
.X: ±0.30	X.°: ±2'		DWN Helen
.XX: ±0.25			CHKD
.XXX: ±0.10		APVD	SCALE1:1 UNIT: MM
CUSTOMER COPY		SIZE: A4	SHEET: 1F1
			REV: A