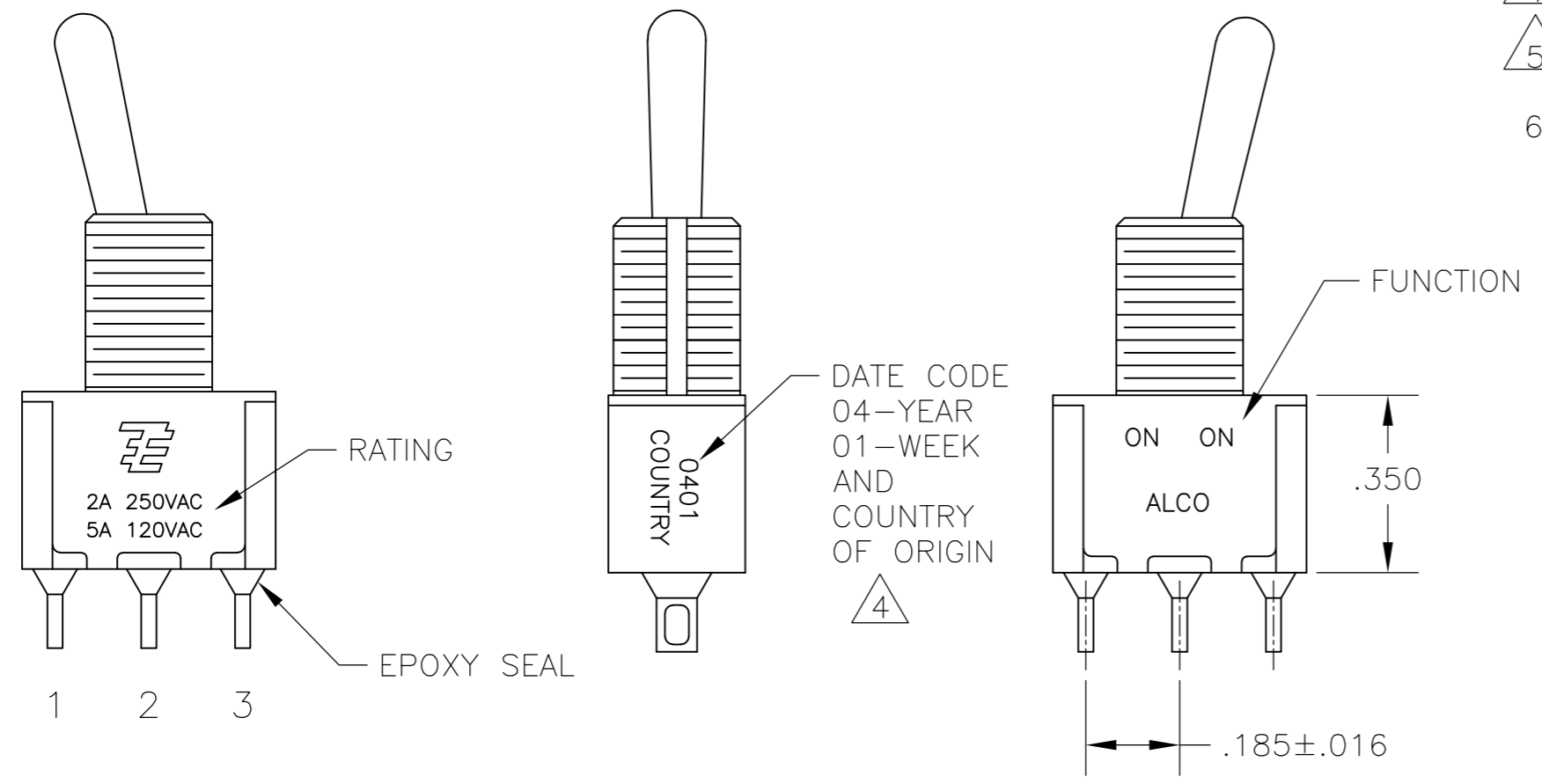
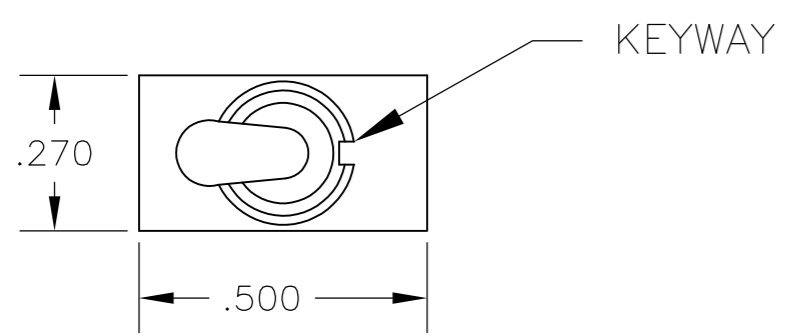


THIS DRAWING IS UNPUBLISHED. RELEASED FOR PUBLICATION  
 © COPYRIGHT - By - ALL RIGHTS RESERVED.

| REVISIONS |     |                           |           |     |      |
|-----------|-----|---------------------------|-----------|-----|------|
| P         | LTR | DESCRIPTION               | DATE      | DWN | APVD |
| A7        |     | REVISED PER ECR-16-004460 | 30MAR2016 | RS  | RH   |



- ALL MATERIALS AND FINISHES SHALL COMPLY WITH EU DIRECTIVE 2002/95/EC OF 27JAN2003 (ROHS).
- EACH SWITCH WITH THREADED BUSHINGS SUPPLIED WITH THE FOLLOWING MOUNTING HARDWARE:  
 (2) HEX NUTS  
 (1) INTERNAL TOOTH LOCKWASHER  
 (1) LOCATING RING.
- G CONTACT OPTION CAN BE USED FOR SIGNAL OR POWER LEVEL SWITCHING. IF SWITCH IS USED AT LEVELS EXCEEDING .4VA @ 20V AC/DC, SWITCH IS RENDERED FOR POWER SWITCHING ONLY DUE TO ARC REMOVAL OF GOLD PLATING. RATING MARKED ON FRAME IS 2A 250VAC, 5A 120VAC.
- DATE CODE AND COUNTRY OF ORIGIN MAY APPEAR ON EITHER SIDE OF SWITCH.
- LENGTH OF TOGGLE REDUCED BY .020 WITH A, AV2, V30 OR V40 VERTICAL SUPPORT BRACKET OPTIONS.
- ALL LOGO, RATING, DATE CODE, AND FUNCTION MARKINGS TO BE LASER MARKED.

| FUNCTION CHART      |       |       |       |
|---------------------|-------|-------|-------|
| FUNCTION            | 1 2 3 | 1 2 3 | 1 2 3 |
| 01                  | ON    | NONE  | ON    |
| 03                  | ON    | OFF   | ON    |
| 08                  | ON    | NONE  | (ON)  |
| TERMINALS CONNECTED | 2-3   | ---   | 1-2   |

None: No mechanical position  
 Off: Mechanical position with no electrical connection  
 (On): Momentary action

| SPECIFICATIONS CHART            |  |
|---------------------------------|--|
| RATING, B CONTACTS              | .4VA MAX @20V MAX. AC OR DC              |
| RATING, G CONTACTS-SEE NOTE 3   | .4VA MAX @20V MAX. AC OR DC OR           |
|                                 | 5A @120 VAC OR 28 VDC (RESISTIVE)        |
| RATING, Q CONTACTS              | 2A @250 VAC (RESISTIVE)                  |
|                                 | 5A @120 VAC OR 28 VDC (RESISTIVE)        |
| ELECTRICAL LIFE                 | 6,000 CYCLES AT RATED LOAD               |
| CONTACT RESISTANCE              | 10 MILLIOHMS MAX INITIAL @ 2-4VDC, 100ma |
| INSULATION RESISTANCE           | 1,000 MEGOHMS MIN                        |
| DIELECTRIC WITHSTANDING VOLTAGE | 1,000 V RMS AT SEA LEVEL                 |
| OPERATING TEMPRATURE            | -30C TO 85C                              |

| PART NUMBER SEQUENCE CHART |          |        |         |          |         |      |
|----------------------------|----------|--------|---------|----------|---------|------|
| MODEL                      | FUNCTION | TOGGLE | BUSHING | TERMINAL | CONTACT | RoHS |
| A1                         | 01       | K      | CW      | A        | B       | 04   |
|                            |          | K1     | D       | AV2      | G       |      |
|                            | 08       | L      | D9      | C        | Q       |      |
|                            |          | L1     | H       | V30      |         |      |
|                            |          | L2     | Y       | V40      |         |      |
|                            |          | M      | Y9      | W        |         |      |
|                            |          | P3     |         | W4       |         |      |
|                            |          | S      |         | Z        |         |      |
|                            |          | T      |         | Z3       |         |      |
|                            |          | T1     |         |          |         |      |

EXAMPLE: A101SYCQ04

THIS DRAWING IS A CONTROLLED DOCUMENT. DWN B.S.VISWESWARA 14APR05  
 CHK M.ZITTO  
 APVD P.BROUILLETTE  
 PRODUCT SPEC

TE Connectivity

GEMINI A SERIES TOGGLE SWITCH, SINGLE POLE, 2 POSITION FUNCTIONS (01 & 08)

SIZE A2 CAGE CODE 00779 DRAWING NO. 1825136 RESTRICTED TO

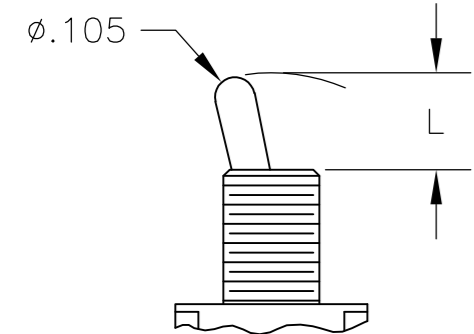
SCALE 3:1 SHEET 1 of 4 REV A7

CUSTOMER DRAWING

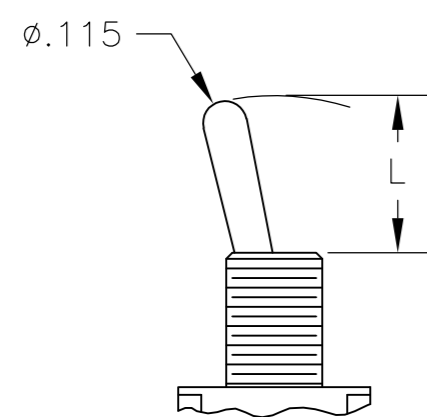
THIS DRAWING IS UNPUBLISHED. RELEASED FOR PUBLICATION. © COPYRIGHT - By - ALL RIGHTS RESERVED.

| REVISIONS |     |             |      |     |      |
|-----------|-----|-------------|------|-----|------|
| P         | LTR | DESCRIPTION | DATE | DWN | APVD |
| -         | -   | SEE SHEET 1 | -    | -   | -    |

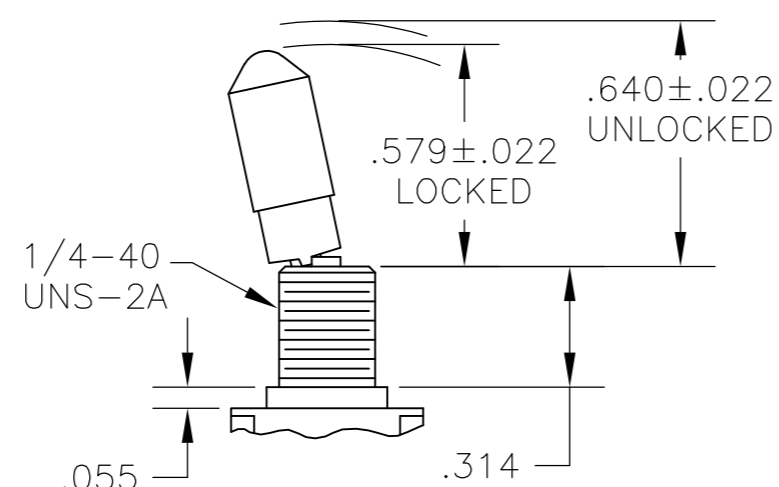
### TOGGLES



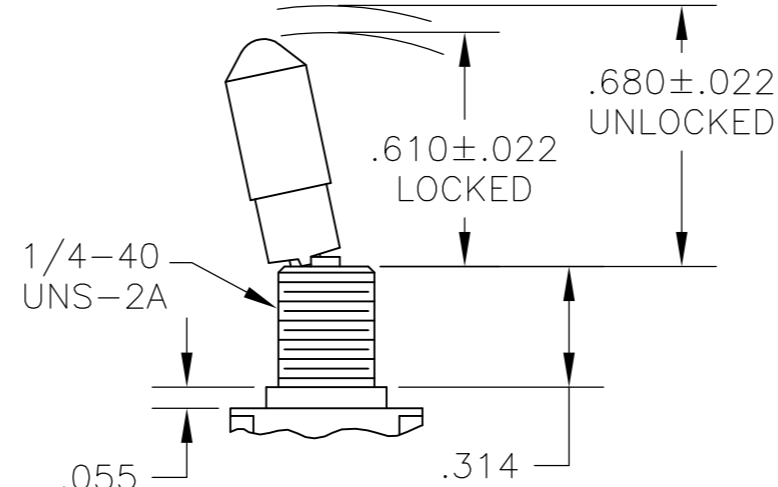
**M** SHORT



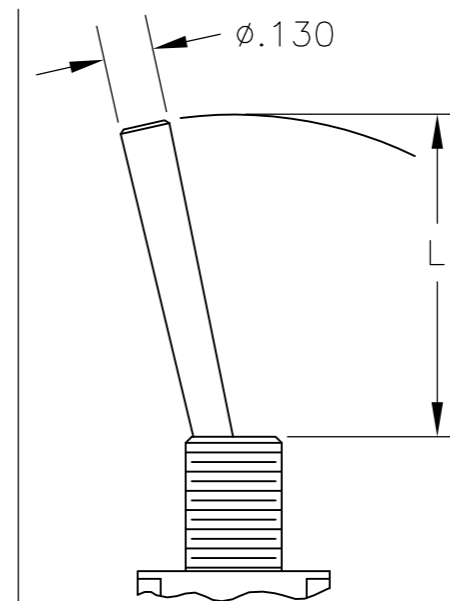
**S** STANDARD



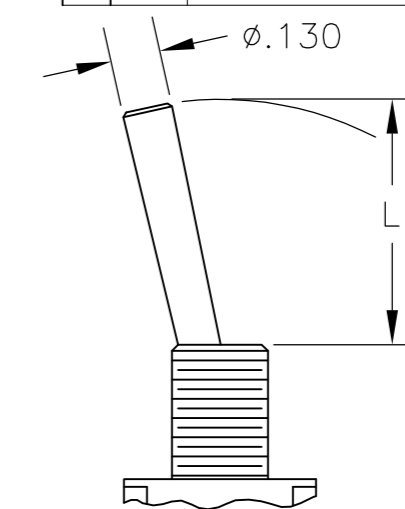
**K** NO BUSHING OPTION NEEDED



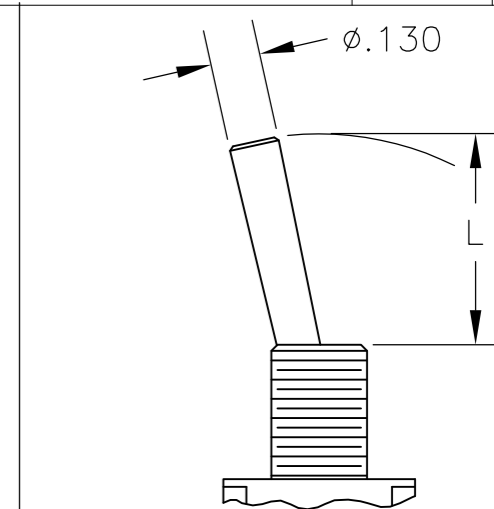
**K1** NO BUSHING OPTION NEEDED



**L** LEVER



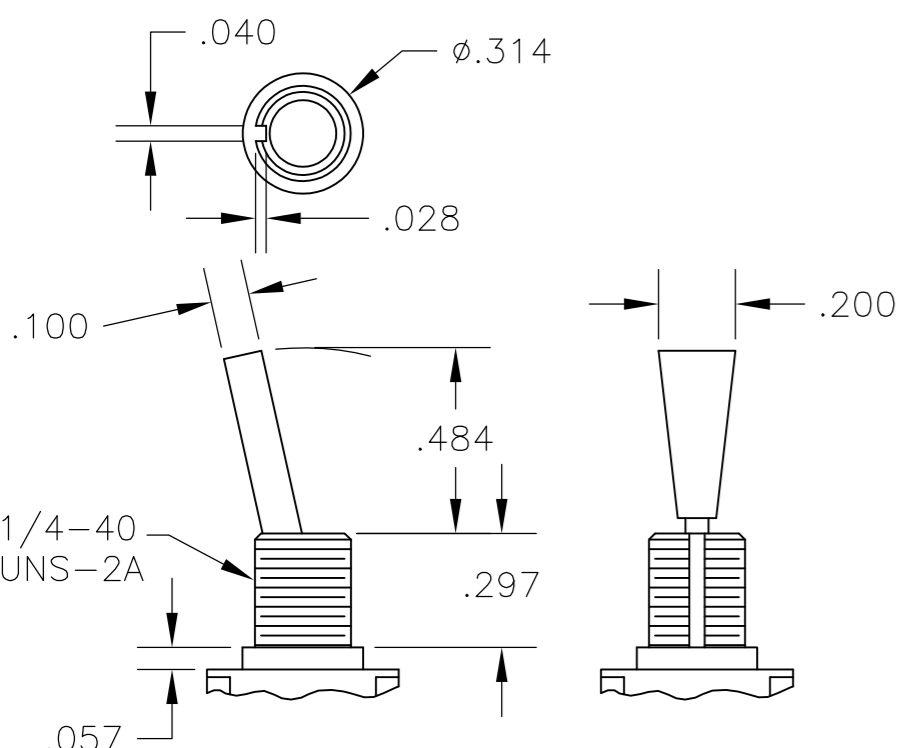
**L1** LEVER



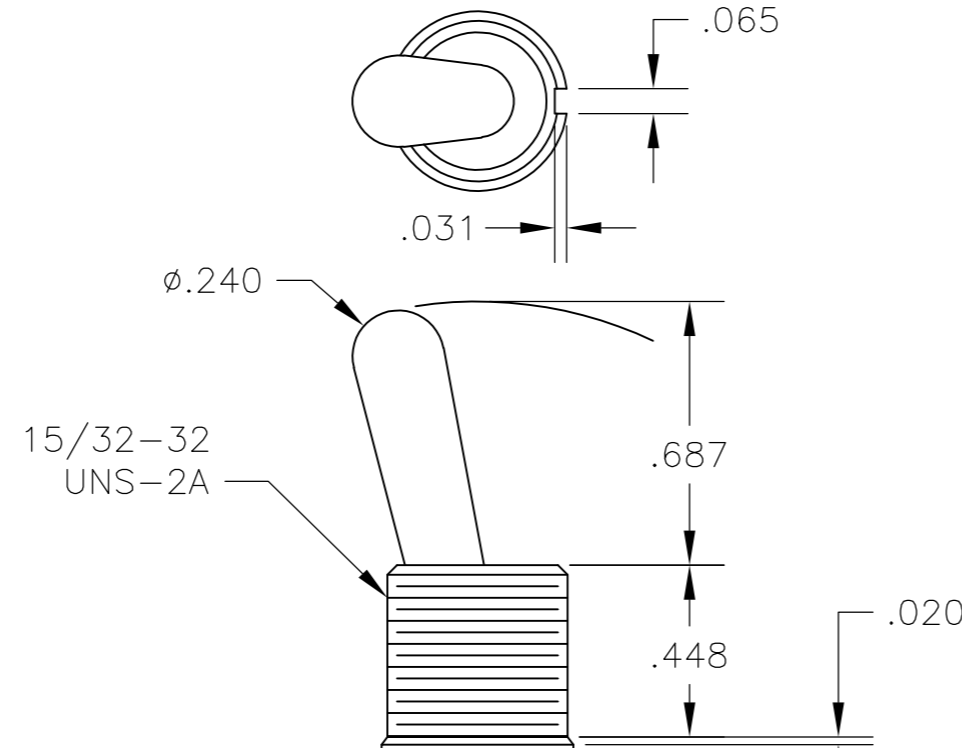
**L2** LEVER

| DIM L | BUSHING TYPE | DIM L | BUSHING TYPE |
|-------|--------------|-------|--------------|
| .200  | Y, H         | .410  | Y, H         |
| .270  | D, D9        | .480  | D, D9        |

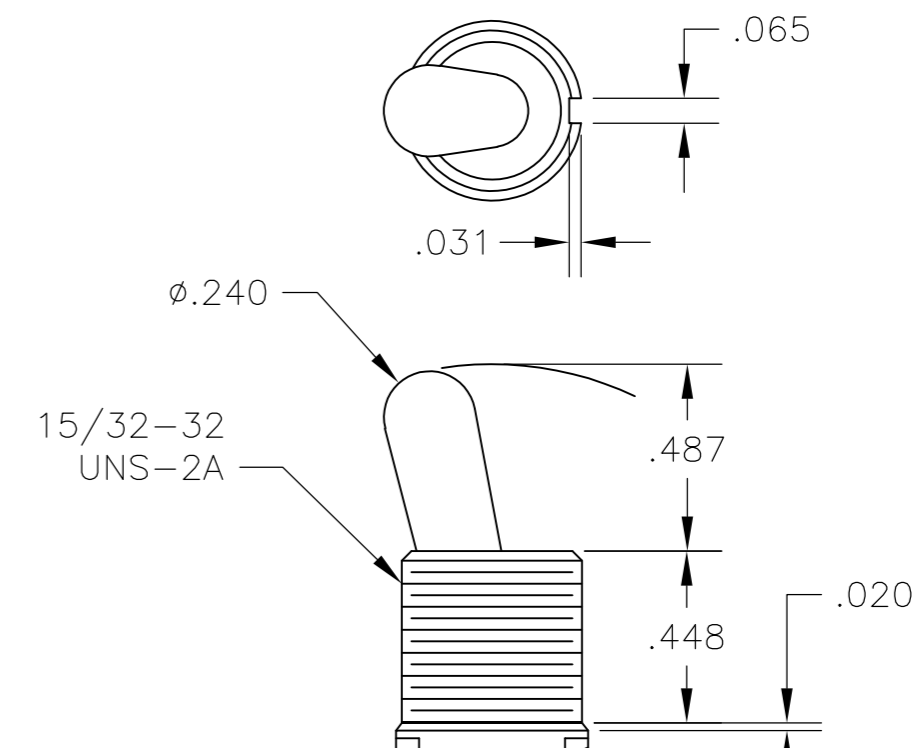
| DIM L | BUSHING TYPE | DIM L | BUSHING TYPE | DIM L | BUSHING TYPE |
|-------|--------------|-------|--------------|-------|--------------|
| .840  | Y, H         | .640  | Y, H         | .550  | Y, H         |
| .910  | D, D9        | .710  | D, D9        | .620  | D, D9        |



**P3** NO BUSHING OPTION NEEDED

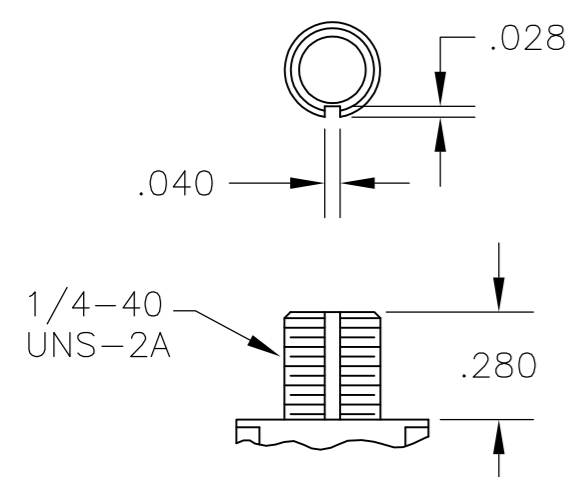


**T** NO BUSHING OPTION NEEDED



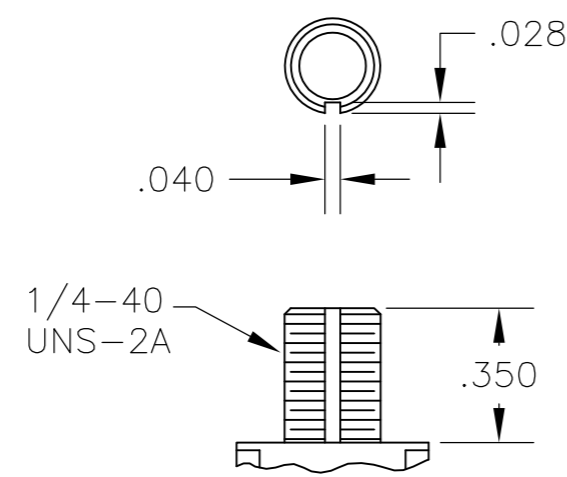
**T1** NO BUSHING OPTION NEEDED

### BUSHINGS



**D** THREADED

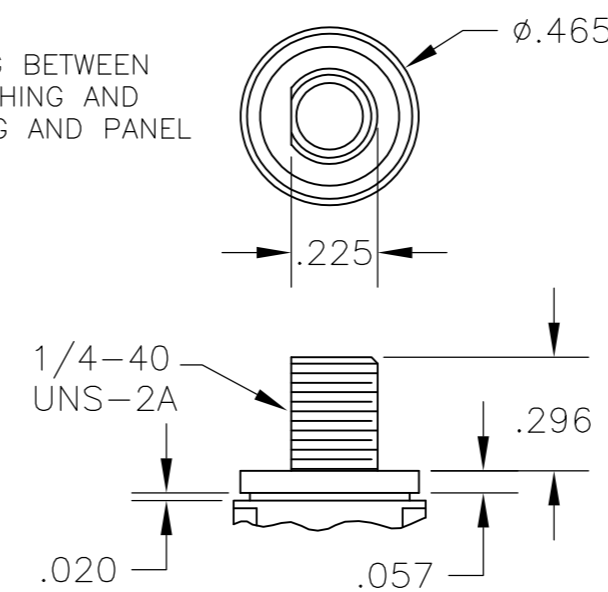
**D9** UNTHREADED



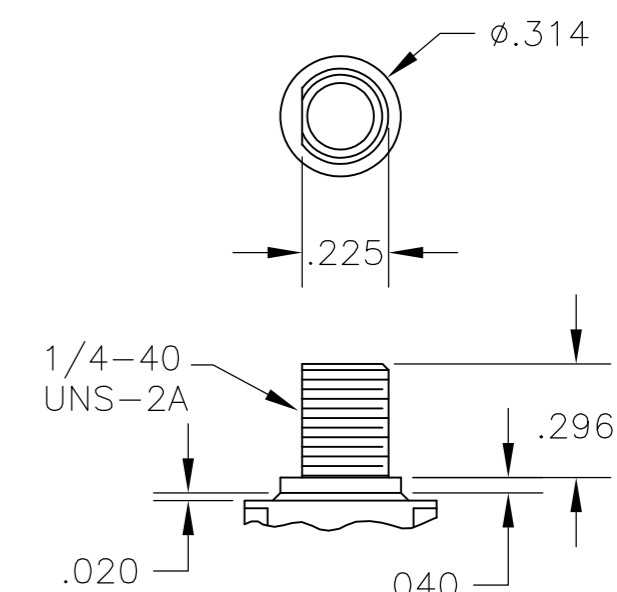
**Y** THREADED

**Y9** UNTHREADED

CONTAINS O-RING BETWEEN TOGGLE AND BUSHING AND BETWEEN BUSHING AND PANEL



**CW** THREADED SPLASHPROOF



**H** HIGH TORQUE

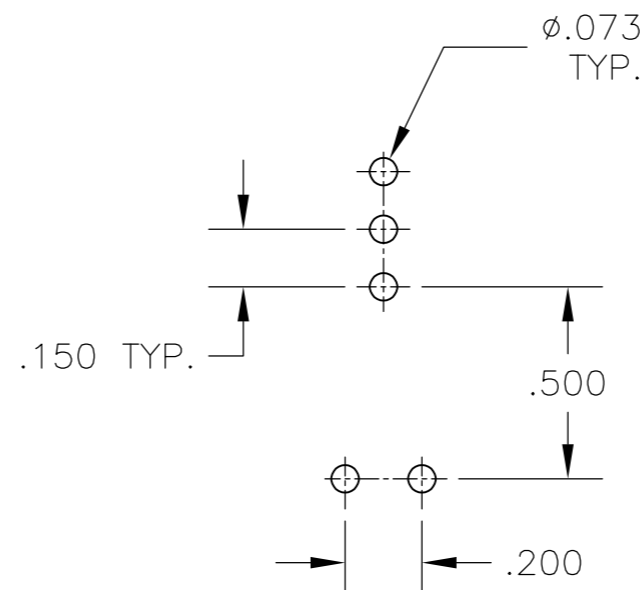
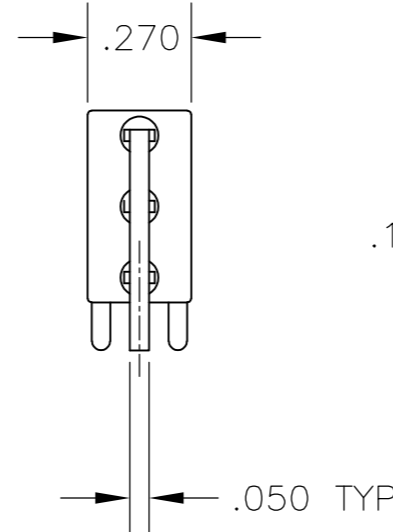
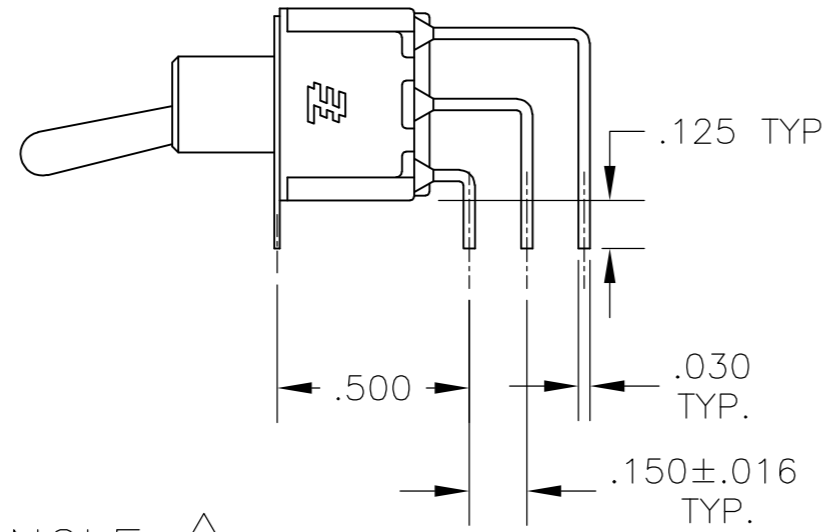
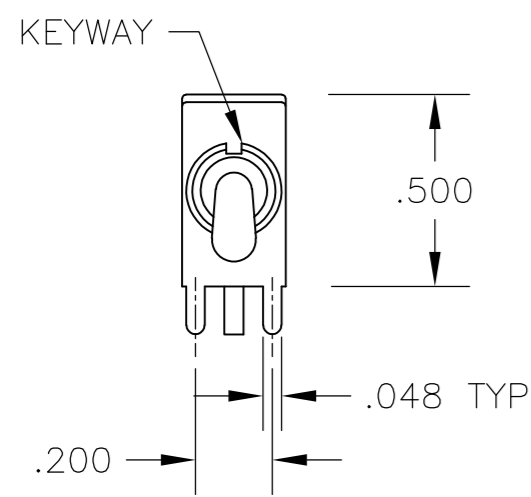
THIS DRAWING IS A CONTROLLED DOCUMENT.

|                    |   |  |                     |                 |                  |
|--------------------|---|--|---------------------|-----------------|------------------|
| DIMENSIONS: INCHES | TOLERANCES UNLESS OTHERWISE SPECIFIED:<br>0 PLC ± -<br>1 PLC ± -<br>2 PLC ± -<br>3 PLC ± .010<br>4 PLC ± -<br>ANGLES ± 2° | DWN: B.S.VISWESWARA<br>CHK: M.ZITTO<br>APVD: P.BROUILLETTE | 14APR05             | TE Connectivity |                  |
| MATERIAL: -        | FINISH: -   | PRODUCT SPEC: -  | APPLICATION SPEC: - | SIZE: A2        | CAGE CODE: 00779 |
| CUSTOMER DRAWING   |   |  | SCALE: 2:1          | SHEET: 2 of 4   | REV: A7          |

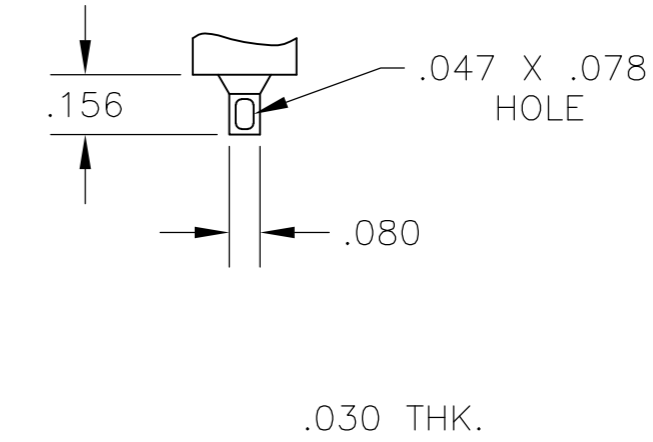
GEMINI A SERIES TOGGLE SWITCH, SINGLE POLE, 2 POSITION FUNCTIONS (01 & 08)

THIS DRAWING IS UNPUBLISHED. RELEASED FOR PUBLICATION  
 © COPYRIGHT - By - ALL RIGHTS RESERVED.

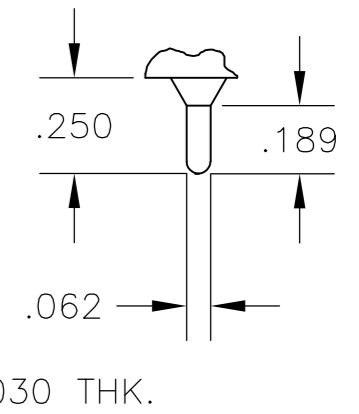
| REVISIONS |     |             |      |      |
|-----------|-----|-------------|------|------|
| P         | LTR | DESCRIPTION | DATE | APVD |
| -         | -   | SEE SHEET 1 | -    | -    |



RECOMMENDED PCB LAYOUT

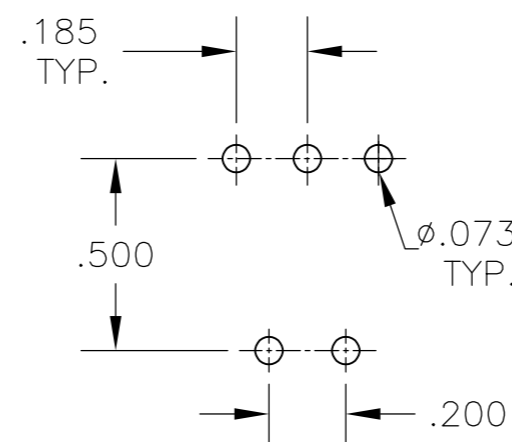
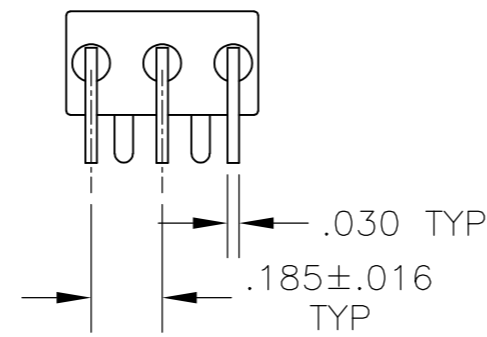
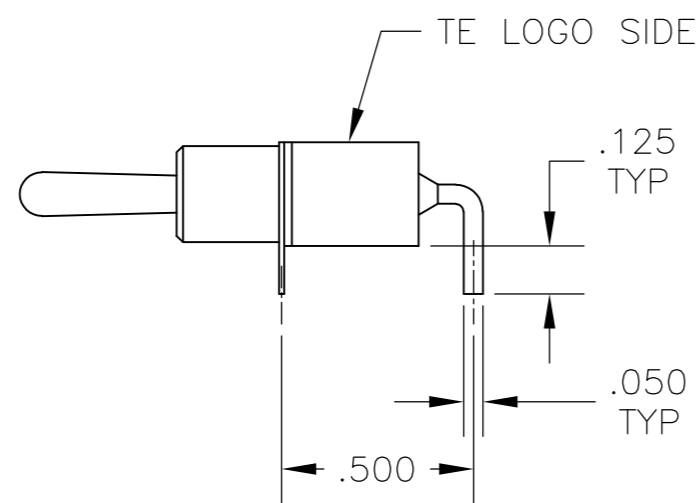
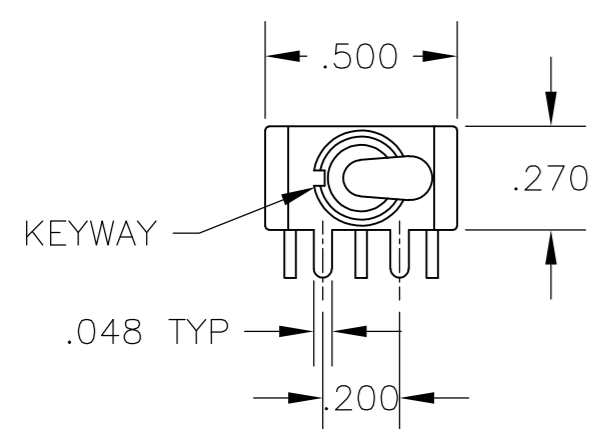


Z WIRE LUG

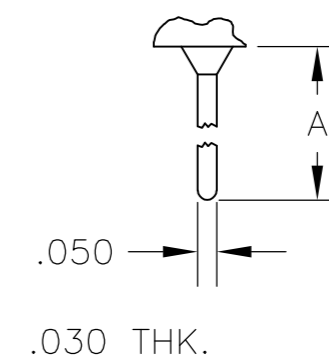


Z3 QUICK CONNECT

AV2 VERTICAL RIGHT ANGLE  $\triangle$



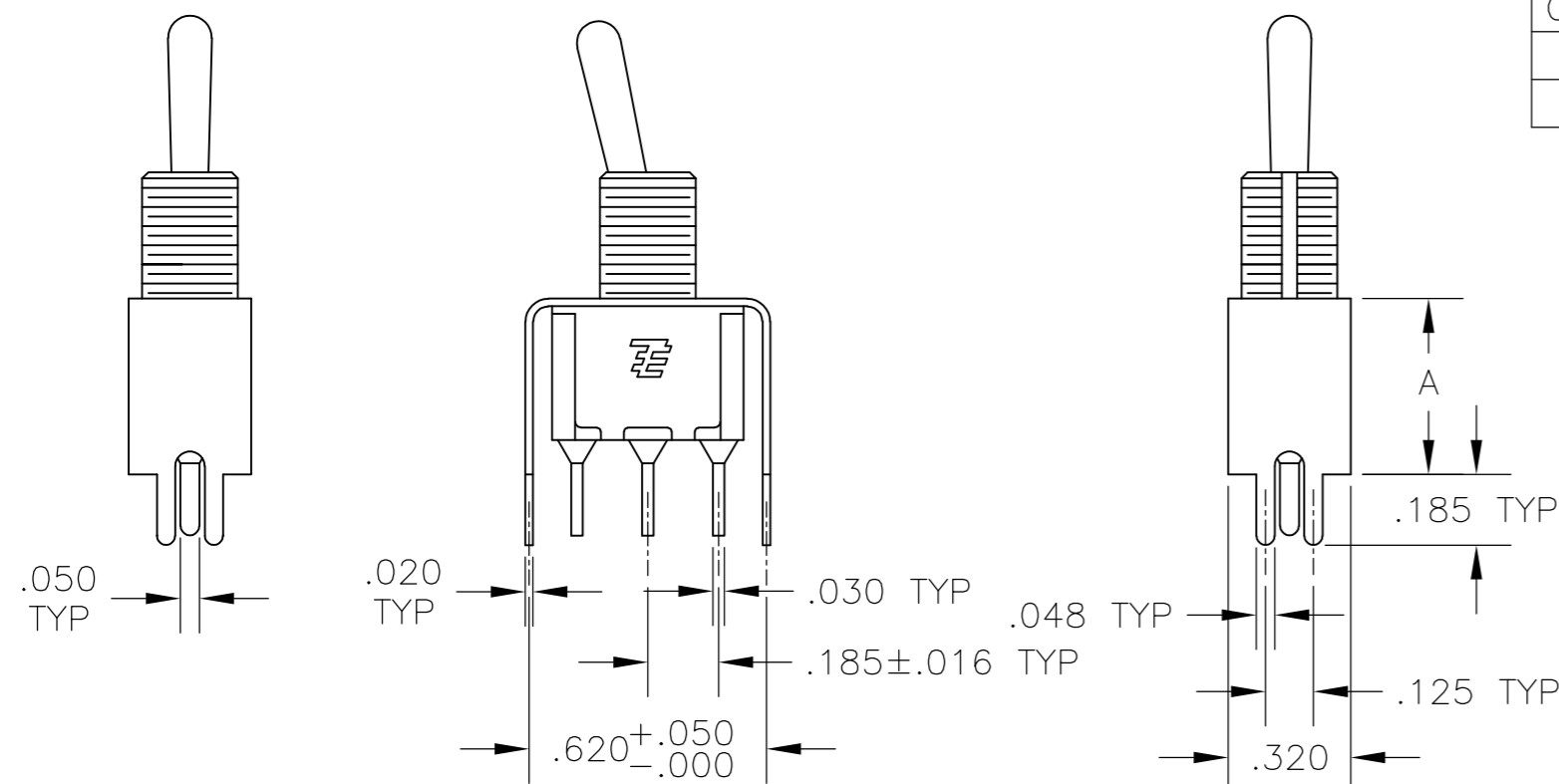
RECOMMENDED PCB LAYOUT



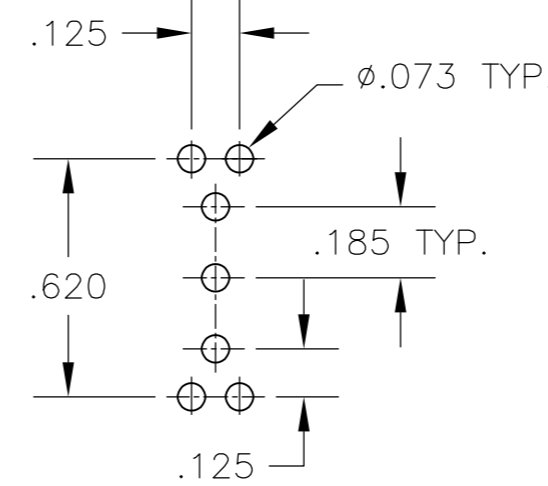
W W4 WIRE WRAP

| OPTION | DIM A |
|--------|-------|
| W      | .736  |
| W4     | 1.062 |

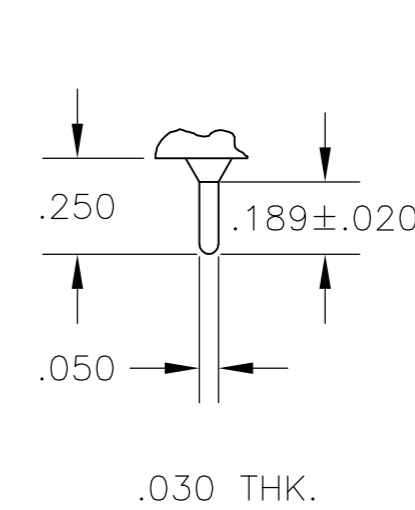
A RIGHT ANGLE  $\triangle$



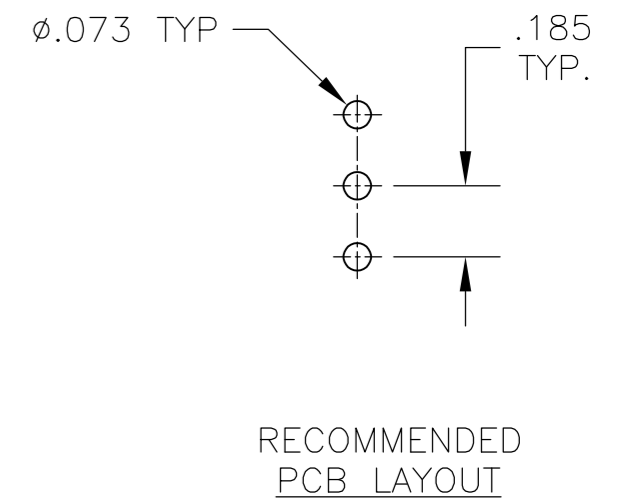
| OPTION | DIM A |
|--------|-------|
| V30    | .460  |
| V40    | .630  |



RECOMMENDED PCB LAYOUT



C PRINTED CIRCUIT



RECOMMENDED PCB LAYOUT

V30 V40  $\triangle$   
 VERTICAL SUPPORT BRACKET

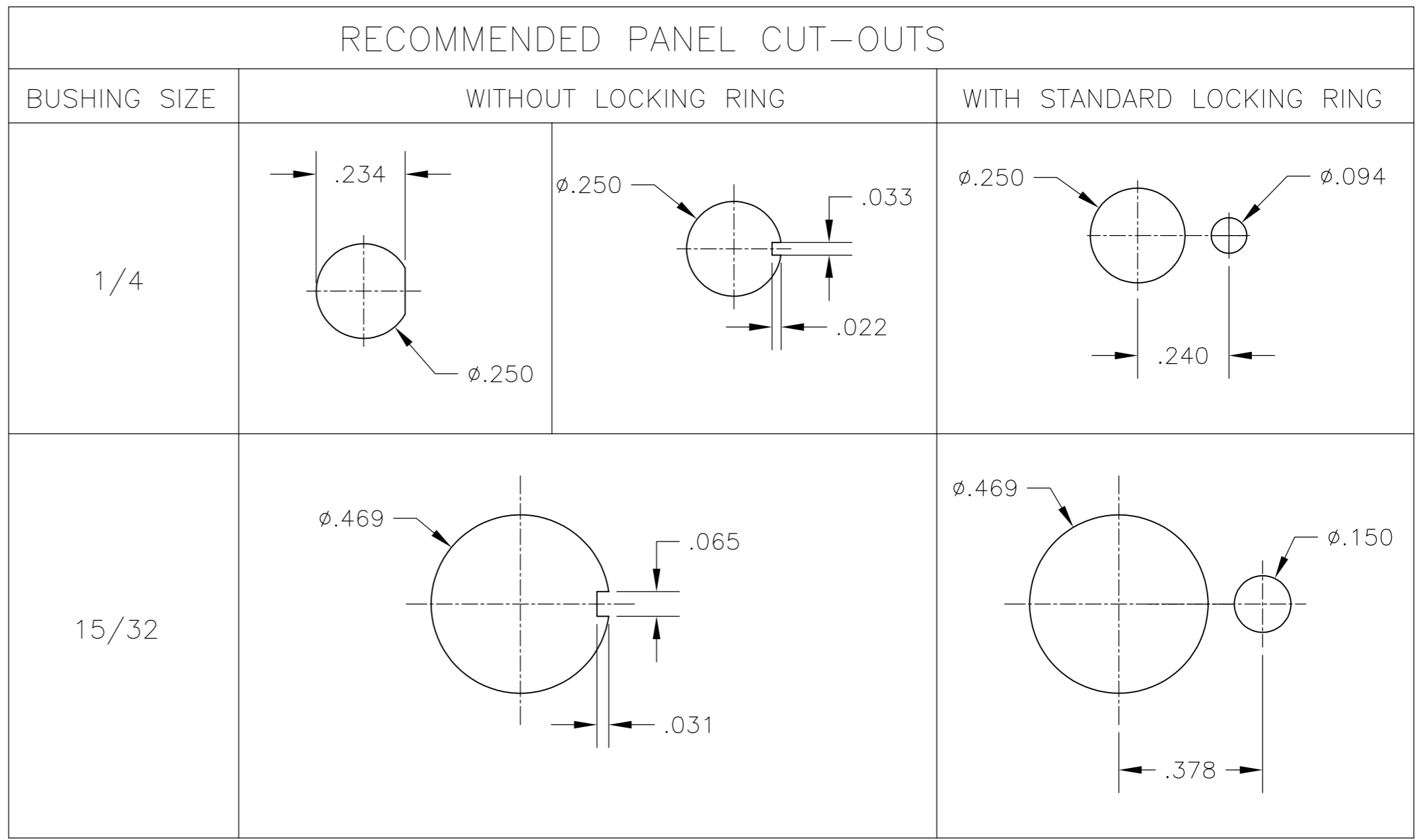
|   |  |                       |         |                         |                    |
|---|--|-----------------------|---------|-------------------------|--------------------|
| THIS DRAWING IS A CONTROLLED DOCUMENT.  |  | DWN<br>B.S.VISWESWARA | 14APR05 | TE Connectivity         |                    |
| DIMENSIONS:<br>INCHES   |  | CHK<br>M.ZITTO        | -       |                         |                    |
| TOLERANCES UNLESS OTHERWISE SPECIFIED:  |  | APVD<br>P.BROUILLETTE | -       | PRODUCT SPEC            |                    |
| 0 PLC ± -<br>1 PLC ± -<br>2 PLC ± -<br>3 PLC ± .010<br>4 PLC ± -<br>ANGLES ± 2° |  | APPLICATION SPEC      |         | RESTRICTED TO           |                    |
| MATERIAL  |  | WEIGHT                | -       | SIZE<br>A2              | CAGE CODE<br>00779 |
| FINISH  |  | CUSTOMER DRAWING      |         | DRAWING NO<br>C=1825136 | SCALE<br>2:1       |
|   |  |                       |         | SHEET<br>3 of 4         | REV<br>A7          |

THIS DRAWING IS UNPUBLISHED. RELEASED FOR PUBLICATION  
 © COPYRIGHT - By - ALL RIGHTS RESERVED.

| REVISIONS |     |             |      |      |
|-----------|-----|-------------|------|------|
| P         | LTR | DESCRIPTION | DATE | APVD |
| -         | -   | SEE SHEET 1 | -    | -    |

| Alco P/N       | P/N         |
|----------------|-------------|
| A101K1V30B04   | 1825136-1   |
| A101KAB04      | 1825136-2   |
| A101KAQ04      | 1825136-3   |
| A101P3YV30B04  | 1825136-4   |
| A101KCQ04      | 1825136-5   |
| A101KD9AQ04    | 1825136-6   |
| A101KZQ04      | 1825136-7   |
| A101SYAV2B04   | 1825136-8   |
| A101L1D9V30Q04 | 1825136-9   |
| A101L1YZB04    | 1-1825136-0 |
| A101LDZQ04     | 1-1825136-1 |
| A101MD9AB04    | 1-1825136-2 |
| A101MD9AG04    | 1-1825136-3 |
| A101MD9AQ04    | 1-1825136-4 |
| A101MD9AV2B04  | 1-1825136-5 |
| A101MD9AV2G04  | 1-1825136-6 |
| A101MD9AV2Q04  | 1-1825136-7 |
| A101MD9V30B04  | 1-1825136-8 |
| A101MDAQ04     | 1-1825136-9 |
| A101MDAV2B04   | 2-1825136-0 |
| A101MDCG04     | 2-1825136-1 |
| A101MDZQ04     | 2-1825136-2 |
| A101MYCQ04     | 2-1825136-3 |
| A101MYZQ04     | 2-1825136-4 |
| A103SYAV2B04   | 2-1825136-5 |
| A101P3CB04     | 2-1825136-6 |
| A101P3ZQ04     | 2-1825136-7 |
| A101KAV2Q04    | 2-1825136-8 |
| A101MDCQ04     | 2-1825136-9 |
| A101SCWCQ004   | 3-1825136-0 |
| A101SCWZQ04    | 3-1825136-1 |
| A101SD9AB04    | 3-1825136-2 |
| A101SD9AQ04    | 3-1825136-3 |
| A101SD9AV2B04  | 3-1825136-4 |
| A101SD9AV2Q04  | 3-1825136-5 |
| A101SD9V30B04  | 3-1825136-6 |
| A101SD9V30Q04  | 3-1825136-7 |
| A101SDCQ04     | 3-1825136-8 |
| A101SDZQ04     | 3-1825136-9 |
| A101SHZQ04     | 4-1825136-0 |
| A101SY9CQ04    | 4-1825136-1 |
| A101SYAB04     | 4-1825136-2 |
| A101SYAQ04     | 4-1825136-3 |
| A101SYCB04     | 4-1825136-4 |
| A101SYCQ04     | 4-1825136-5 |
| not assigned   | 4-1825136-6 |
| A101SYWQ04     | 4-1825136-7 |
| A101SYZB04     | 4-1825136-8 |

| Alco P/N     | P/N         |
|--------------|-------------|
| A101SYZQ04   | 4-1825136-9 |
| not assigned | 5-1825136-0 |
| not assigned | 5-1825136-1 |
| A101T1ZB04   | 5-1825136-2 |
| A101T1ZQ04   | 5-1825136-3 |
| A101TCQ04    | 5-1825136-4 |
| A101TZQ04    | 5-1825136-5 |
| A108MD9AB04  | 5-1825136-6 |
| not assigned | 5-1825136-7 |
| A108P3CQ04   | 5-1825136-8 |
| A108P3ZQ04   | 5-1825136-9 |
| A108SD9AQ04  | 6-1825136-0 |
| A108SDZQ04   | 6-1825136-1 |
| A108SYCB04   | 6-1825136-2 |
| A108SYCQ04   | 6-1825136-3 |
| A108SYZQ04   | 6-1825136-4 |
| not assigned | 6-1825136-5 |
| A101SYAG04   | 6-1825136-6 |



### MATERIALS CHART

| COMPONENT NAME         | BASE MATERIAL             | FINISH           |
|------------------------|---------------------------|------------------|
| CASE                   | DAP, RED, UL94 V-0        |                  |
| FRAME                  | STAINLESS STEEL           |                  |
| B TERMINALS & CONTACTS | COPPER                    | GOLD OVER NICKEL |
| G TERMINALS & CONTACTS | COPPER                    | GOLD OVER SILVER |
| Q TERMINALS & CONTACTS | COPPER                    | .000400 SILVER   |
| ACTUATOR               | PHENOLIC, BLACK, UL94 V-1 |                  |
| LEVER                  | BRASS                     | CHROME           |
| BUSHING                | BRASS                     | NICKEL           |
| SPRING                 | MUSIC WIRE                |                  |
| SUPPORT BRACKET        | BRASS                     | TIN              |
| PIVOT PIN              | STEEL                     | NICKEL           |
| LOCK WASHER            | STAINLESS STEEL           |                  |
| LOCKING RING           | STAINLESS STEEL           |                  |
| NUTS                   | C3604BD BRASS             | NICKEL           |
| TERMINAL SEAL          | EPOXY                     |                  |

THIS DRAWING IS A CONTROLLED DOCUMENT.

|                  |                |         |
|------------------|----------------|---------|
| DWN              | B.S.VISWESWARA | 14APR05 |
| CHK              | M.ZITTO        | -       |
| APVD             | P.BROUILLETTE  | -       |
| PRODUCT SPEC     |                |         |
| APPLICATION SPEC |                |         |
| WEIGHT           | 0              |         |
| CUSTOMER DRAWING |                |         |

TE Connectivity

GEMINI A SERIES TOGGLE SWITCH, SINGLE POLE, 2 POSITION FUNCTIONS (01 & 08)

|       |     |           |        |            |         |               |   |
|-------|-----|-----------|--------|------------|---------|---------------|---|
| SIZE  | A2  | CAGE CODE | 00779  | DRAWING NO | 1825136 | RESTRICTED TO | - |
| SCALE | 3:1 | SHEET     | 4 of 4 | REV        | A7      |               |   |

# Mouser Electronics

Authorized Distributor

Click to View Pricing, Inventory, Delivery & Lifecycle Information:

[TE Connectivity:](#)

[A101SYCQ04](#)