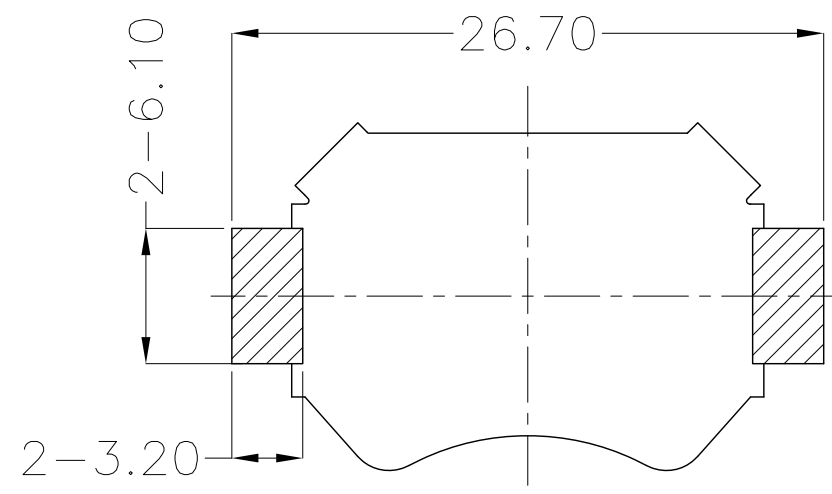
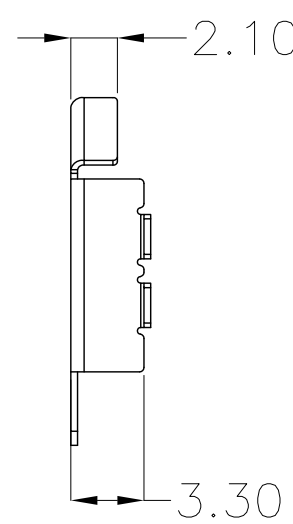
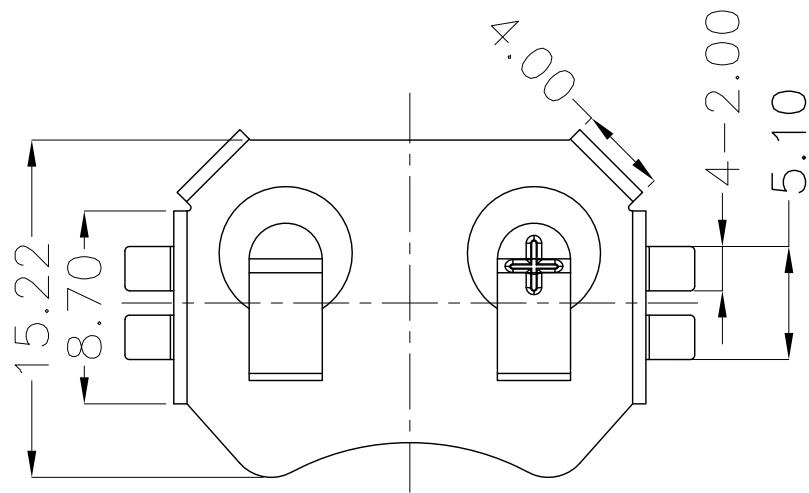
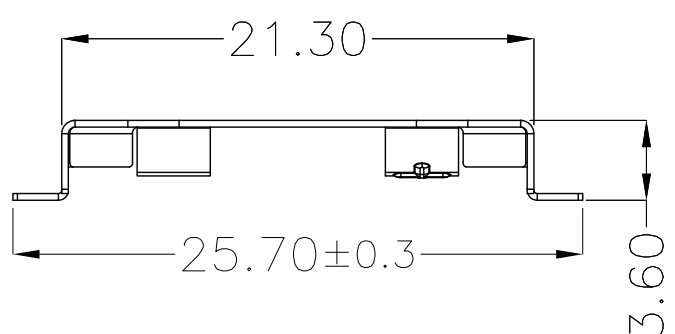




REV.	ECN NO.	REVISED	DATE



PCB Layout Diagram
Top View



工程部
2017-11-22
ZW DANG

UNLESS OTHERWISE SPECIFIED TOLERANCES		MYOUNG 美阳 www.meiyangdz.com	
DECIMALS: X :±0.30 X.X :±0.25 X.XX :±0.20 X.XXX :±0.10	ANGLES: X :±1° X.X :±0.5°	DSND YangFeng	DATE 2017-11-22
WEIGHT: 0.74g		CHKD ZhouRuicai	DATE 2017-11-22
SHEET 1 OF 1		APVD XueShunyong	DATE 2017-11-22
SCALE: UNIT: mm		SIZE: A4	VIEW:
TITLE: 电池扣CR2032-P28		REV.: A/0	OBJECT: MY
PART NO.: MY-2032-11		DRAW NO.:MY-CP-0156	

1	TERMINAL(+)	1	PHOSPHOR BRONZE, T=0.30mm	Ni Plating
NO.	PART NAME	Q'TY	MATERIAL	PLATING & COLOR