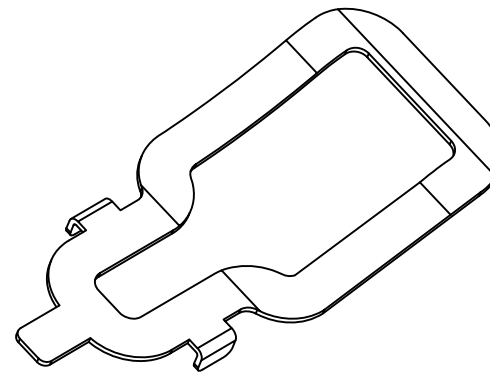
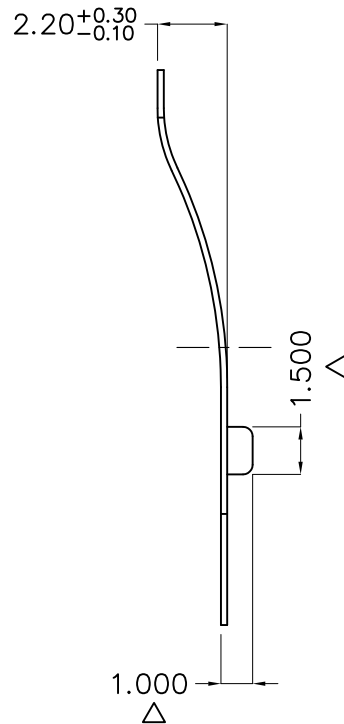
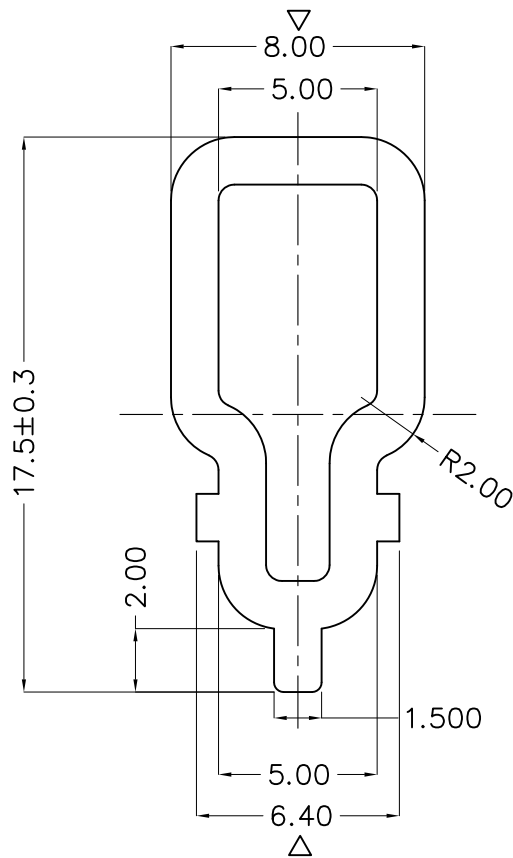




REV.	ECN NO.	REVISED	DATE



3D View Scale: 1:1



技术要求:

- 1、冲件表面光洁平整，无毛刺、压伤、划痕等缺陷。
- 2、冲件表面电镀无发黑、发白、镀层脱落等不良；
- 3、未标圆角R0.15；
- 4、标示“△”为重点管控项目；

UNLESS OTHERWISE SPECIFIED TOLERANCES		MYOUNG 美阳 www.meiyangdz.com			
DECIMALS: X : ±0.30 X.X : ±0.25 X.XX : ±0.20 X.XXX : ±0.10	ANGLES: X : ±1° X.X : ±0.5°	DSND	YangFeng	DATE	2018-12-11
		CHKD	ZhouRuicai	DATE	2018-12-11
		APVD	XueShunyong	DATE	2018-12-11
WEIGHT: g		SCALE:	SIZE: A4	VIEW:	⊕ ←
SHEET 1 OF 1		UNIT: mm	REV.: A/0	OBJECT: MY	TITLE: 电池接触片-AC137负极
		PART NO.:		MY-FJ-AC137	
		DRAW NO.:MY-CP-0181			

2	TERMINAL	2	PHOSPHOR BRONZE, T=0.20mm	Ni-Plating
NO.	PART NAME	Q'TY	MATERIAL	PLATING & COLOR