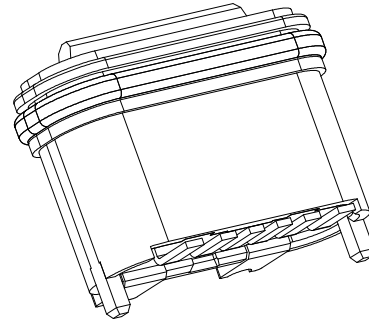
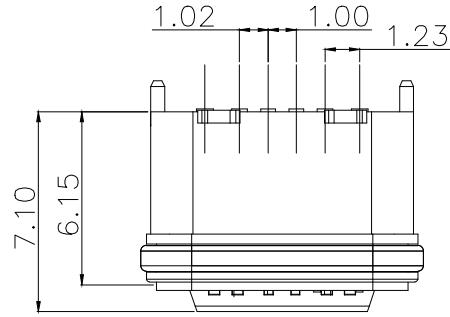


# ROHS



Note:

1.Material:

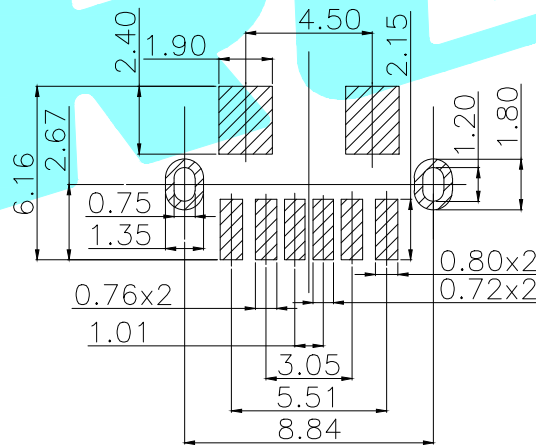
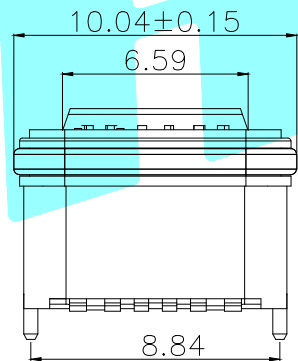
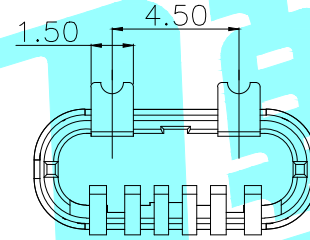
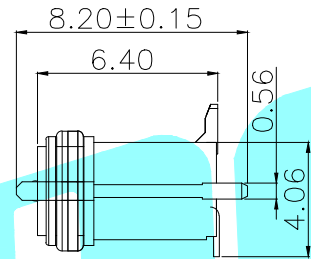
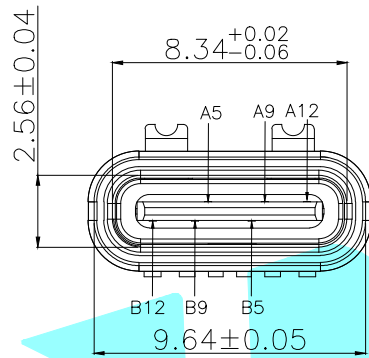
- 1.1 Housing: PA9T
- 1.2 Contact:C5191,t=0.20mm
- 1.3 Shell: Kirsite

2.ELECTRICAL:

- 2-1:CURRENT RATING:  
VBUS AND GND CONTACTS RATED AT 1.25A PARALLELED FOR A TOTAL OF 5A;
- 2-2:INITIAL CONTACT RESISTANCE :40 MEGOHMS
- 2-3:DIELECTRIC WITHSTANDING VOLTAGE:  
100V AC MIN;

3:MECHANICAL CHARACTERISTICS:

- 3-1:MATING FORCE:5~20N
- 3-2:UNMATING FORCE:8~20N(INITIAL),  
6~20N(AFTER 10000 CYCLES)
- 3-3:FREQUENCY: 200±50 CYCLES /HOUR,10000 CYCLES
- 3-4:OPERATING TEMPERATURE ;-40°~80°.



PCB Layout(Pattern side)

A5	CC1	B12	GND
A9	VBUS	B9	VBUS
A12	GND	B5	GND
PIN	SIGNAL NAME	PIN	SIGNAL NAME

APPROVALS		DATE	 ELECTRONICS CO.,LTD					
DRAWN	LIUCAN	2020.11.23						
CHECKED			TITLE:	USB CONNECTOR				
APPROVALS			PART NO.	TYPE-C-31-E-08				
TOLERANCES ARE	30~以上	±0.30	ANGLE	UNIT: mm	SCALE: 1:1	PROJ:		
	10~30	±0.25						
	5~10	±0.20						
	~ 5	±0.15						
ECN NO.	REV.	DATE.	DESCRIPTION.	CHANGE.	CHECK.	APPRO.	DRAWING NO.	SHEET 1 OF 1

_____	A	_____	NEW	_____	_____	_____
ECN NO.	REV.	DATE.	DESCRIPTION.	CHANGE.	CHECK.	APPRO.