

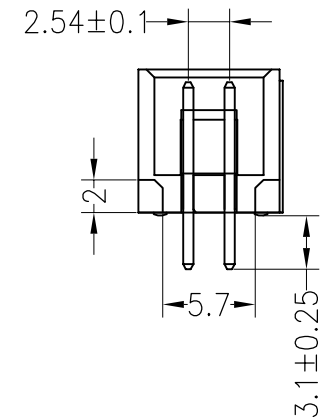
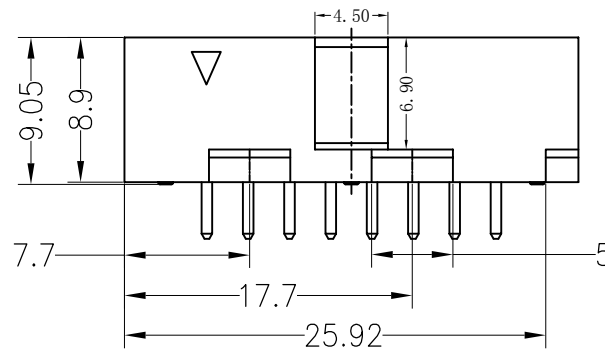
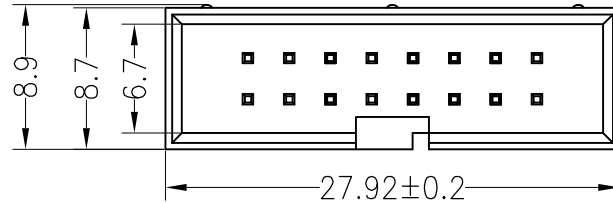
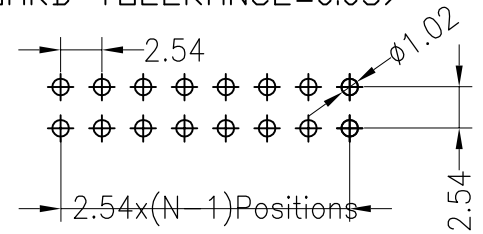
RoHS

Recommended P.C.B Layout(Top Side)  
(PCB BOARD TOLERANCE±0.05)

SPECIFICATIONS

Rated Current:3.0AMP  
Contact Resistance:20mΩ Max  
Withstand Voltage:1000V AC/DC  
Insulation Resistance:1000MΩ Min  
Operation Temperature:-40° c to +105° c

Contact Material:Brass  
Contact Plating:锌合金镀锡 Over Ni  
Insulator Material:Polyester(UL94V-0)  
Standard: PBT  
Max.Processing Temp: 180° C for 30-60 seconds  
(200° C for 10 seconds)



				OPERATION		DRAW		SCALE		FIT		深圳市连盛精密连接器有限公司	
				X.X	±0.30			UNIT	mm				
				X.XX	±0.20	CHECK		SIZE	A4	PART NO.		BH-00161	
				X.XXX	±0.10			SHEET	1/1	TITLE:		2.54Box 16P H8.8mm 180度 无磁锌合金镀锡	
				Angle	±3°	APPROVE		PROJ.	◆				
				DIM	TOL								
REV	DATE	MODIFICATION		CHANGE									
1		DESCRIPTION		3	4	5	6	7	8	9			

A

F

E

D

C

B

G

B

C

D

E

F

G