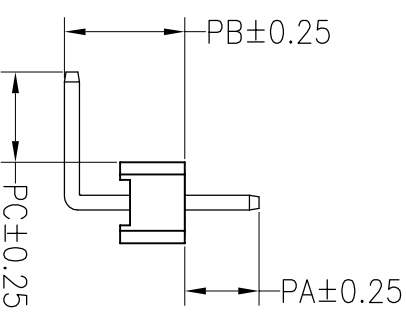
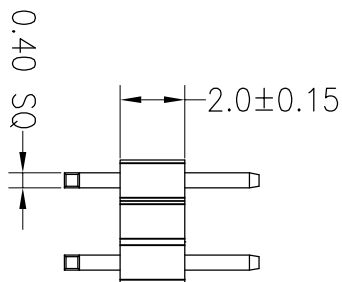
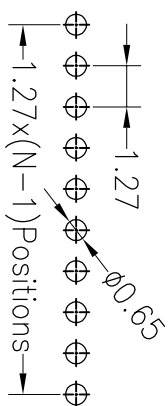
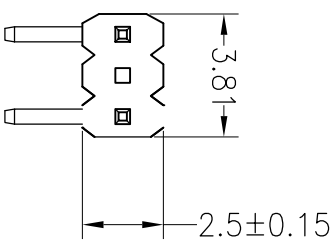


ROHS

SPECIFICATIONS

Rated Current:1.0AMP
 Contact Resistance:20mΩ Max
 Withstand Voltage:500V AC/DC
 Insulation Resistance:1000MΩ Min
 Operation Temperature:-40°c to +105°c
 Contact Material:Brass
 Contact Plating:Au Over Ni
 Insulator Material:Polyester(UL94V-0)
 Standard: PA6T
 Max.Processing Temp: 230°C for 30-60 seconds
 (260°C for 10 seconds)

Recommended P.C.B Layout(Top Side)
 (PCB BOARD TOLERANCE±0.05)



Dimension antitheses list					
ITEM	PA	PB	PC	L	
Alternate	3.70	3.00	2.00	9.40	

深圳市连盛精密连接器有限公司

OPERATION		DRAW		SCALE		FIT		PART NO.	
X.X	±0.30	小片	18.01.08	UNIT	mm	mm	A4	PH-00747	
X.XX	±0.20	CHECK		SIZE	A4	SHEET	1/1	TITLE:	1.27PH H2.0mm 1x3pin 空架2P 90°
X.XXX	±0.10	APPROVE		PROJ.					
Angle	±3°								
DIM	TOL								
REV 1 DATE 2018.01.08 MODIFICATION DESCRIPTION CHANGE									
REV 2 MODIFICATION DESCRIPTION CHANGE									
REV 3 MODIFICATION DESCRIPTION CHANGE									
REV 4 MODIFICATION DESCRIPTION CHANGE									
REV 5 MODIFICATION DESCRIPTION CHANGE									
REV 6 MODIFICATION DESCRIPTION CHANGE									
REV 7 MODIFICATION DESCRIPTION CHANGE									
REV 8 MODIFICATION DESCRIPTION CHANGE									
REV 9 MODIFICATION DESCRIPTION CHANGE									