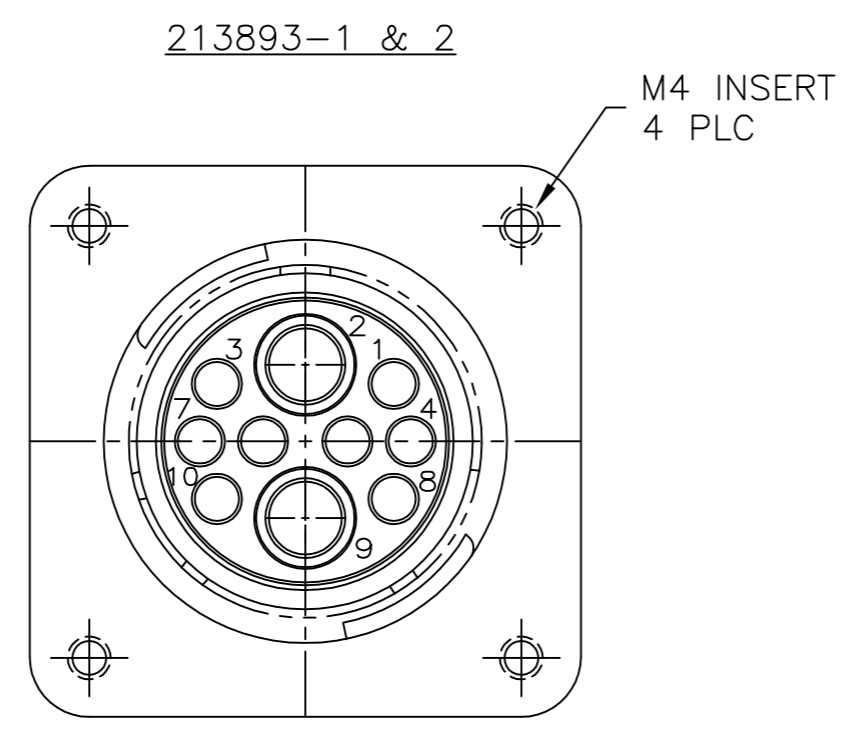
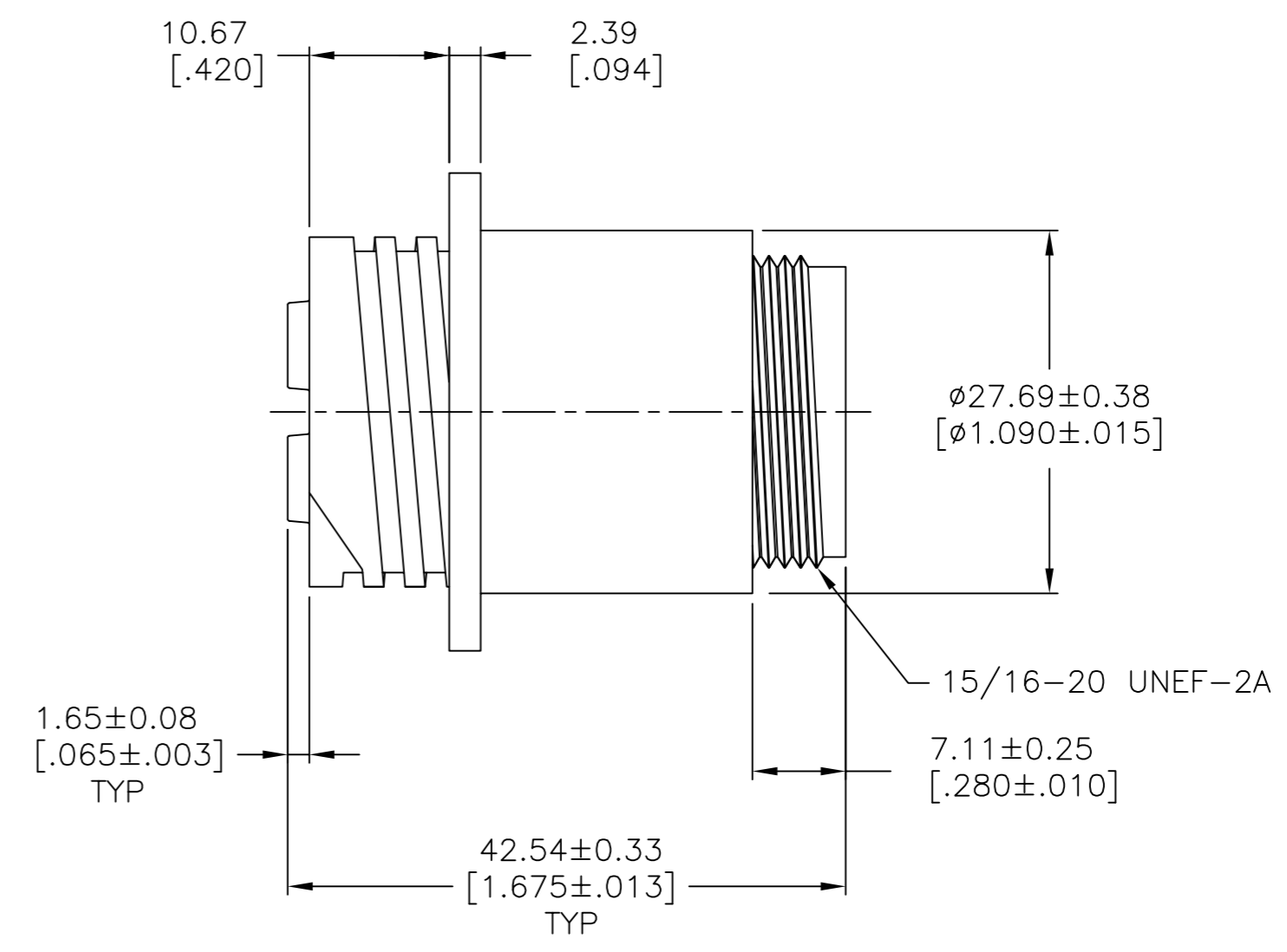
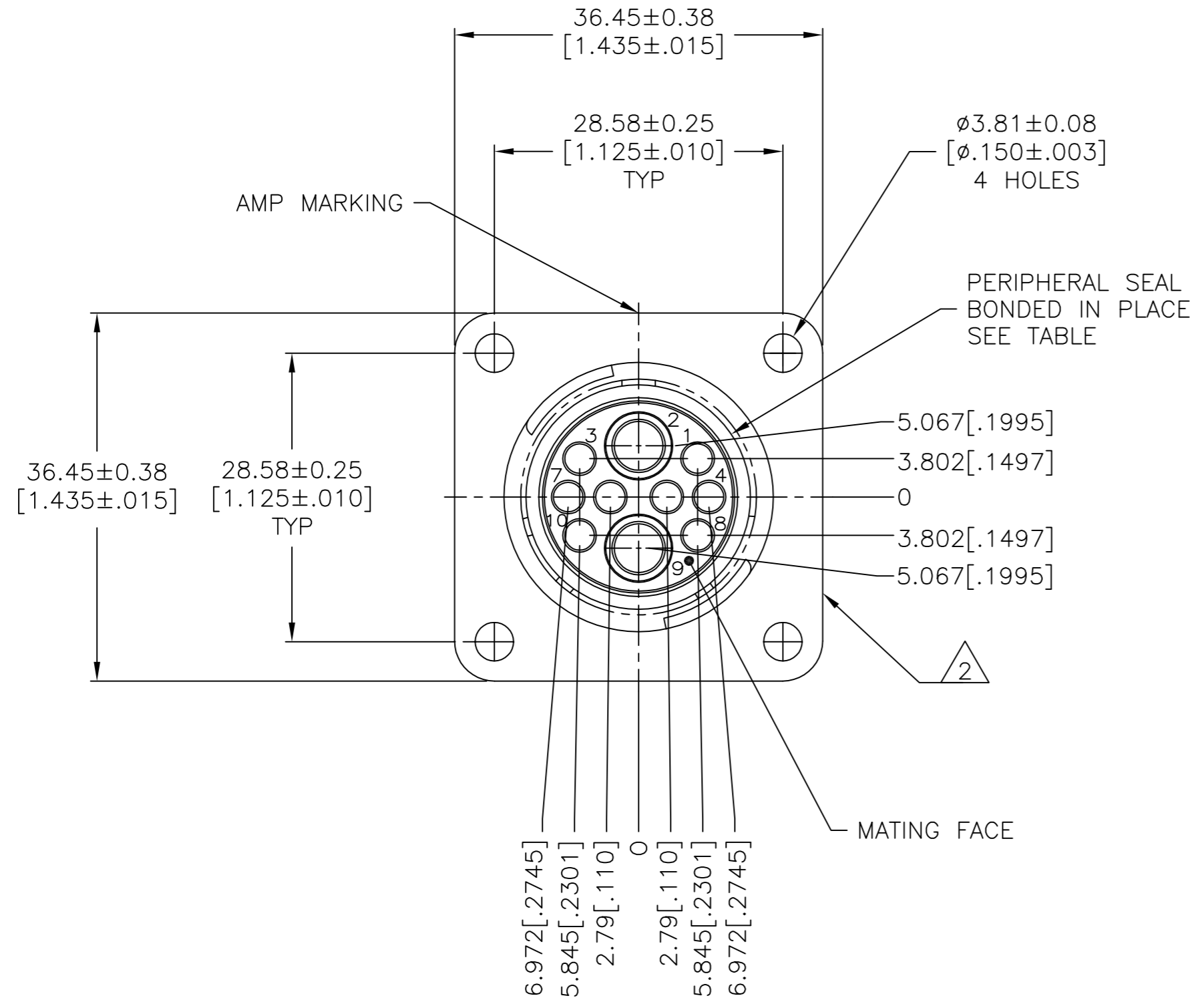


THIS DRAWING IS UNPUBLISHED. RELEASED FOR PUBLICATION
 © COPYRIGHT - By - ALL RIGHTS RESERVED.

REVISIONS					
P	LTR	DESCRIPTION	DATE	DWN	APVD
C2		REVISED PER ECO-11-004820	11MAR11	RK	HMR
D		REVISED PER ECO-17-007861	31MAY2017	RS	MZ



213893-3

- 1 OBSOLETE PARTS: OBSOLETE CIS STREAMLINING PER D.RENAUD/D.SINISI
- 2 PART NUMBER, DATE CODE AND COUNTRY OF MANUFACTURE MARKED ON ANY FLANGE EDGE.

1 OBSOLETE	YES	YES	213893-3
	NO	YES	213893-2
	NO	NO	213893-1
THREADED INSERTS	PERIPHERAL SEAL	PART NUMBER	

THIS DRAWING IS A CONTROLLED DOCUMENT.		DWN D.HARDY 06/27/95	TE Connectivity	
DIMENSIONS: mm		CHK R.STONE 06/29/95		
TOLERANCES UNLESS OTHERWISE SPECIFIED:		APVD A.FRANTUM 06/29/95	NAME RECEPTACLE HOUSING, REVERSE SEX, SERIES 6, 17-10, CIRCULAR PLASTIC CONNECTOR	
0 PLC ± - 1 PLC ± - 2 PLC ± 0.13 [.005] 3 PLC ± 0.013 [.0005] 4 PLC ± - ANGLES ± - FINISH -		PRODUCT SPEC 108-1579	SIZE A2	CAGE CODE 00779
MATERIAL NYLON, BLACK		APPLICATION SPEC -	DRAWING NO C=213893	RESTRICTED TO -
CUSTOMER DRAWING			SCALE 2:1	SHEET 1 of 1
			REV D	