

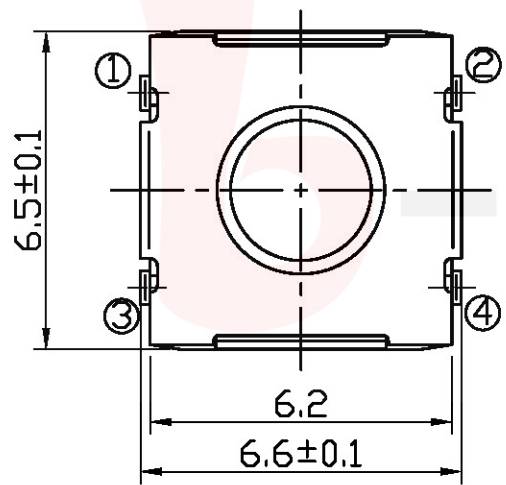
GT-TC125X-HXXX-LX

G-SWITCH

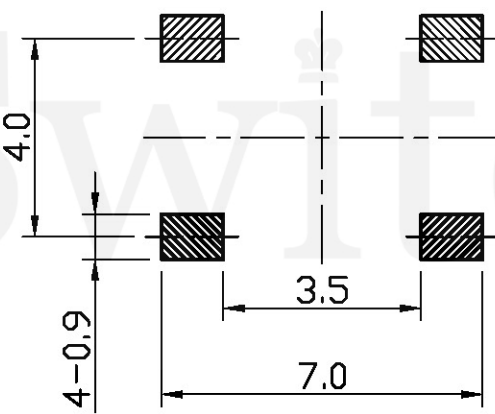
Operating Force
 A=160gf
 B=250gf
 D=350gf
 G=400gf

Switch Height (mm)
 H031=3.1mm
 H034=3.4mm
 H035=3.5mm
 H043=4.3mm
 H049=4.9mm
 H050=5.0mm
 H052=5.2mm

Switch lifetime (Force)
 L1=100,000 Cycles
 L3=300,000 Cycles
 L5=500,000 Cycles



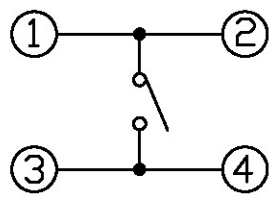
品贊科技



P.C.B LAND DIMENSION

G-Switch Specification:

Operating temperature range: -30°C to +85°C
 Rating: 50mA.12V DC
 Insulation resistance: 100MΩ min.100V DC
 Dielectric strength: 250V AC for 1 min
 Contact resistance: 100m Ω max.
 Travel: 0.35±0.1mm



CIRCUIT DIAGRAM



RoHS
Compliant
2002/95/EC



G-Switch Electronic (HongKong) CO.,Ltd.

Unless otherwise specified, Tolerance:
 X. ±0.30
 X.x ±0.20
 X.xx ±0.15
 X.xxx ±0.10
 Angles ±3°

DESIGN FengFengChen DATE 2019.05.29
 CHECKED DATE
 APPROVED DATE
<http://www.dg-switch.com>
 TEL:0769-82388879

Mold code:
GT-TC125X-HXXX-LX
 REV.: X1 SCALE: 4:1 UNIT: mm
 SIZE: A4 SHEET: 1/1